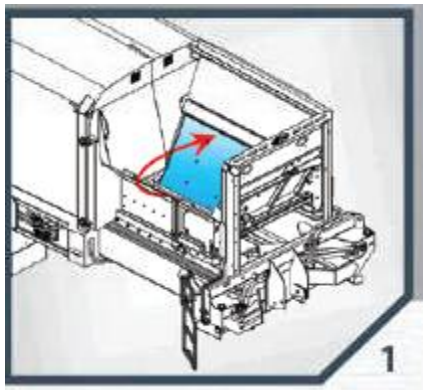
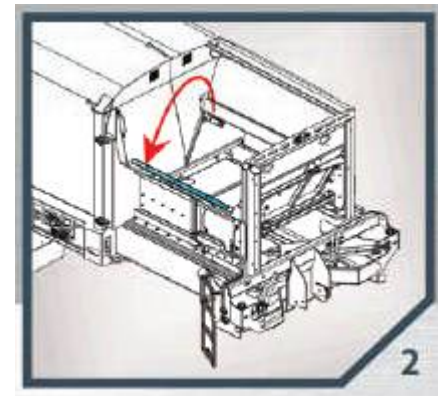


Single Stream Recycling Truck

The “Split body truck” we use has two separate compartments, for the two separate commodities. As you can see below in the pictures there is a chute that moves, ensuring the trash goes in one compartment, as the recycling goes into the opposite side. Then we go to the landfill and dump only that side (see picture below). After leaving the landfill with the scale ticket for just the trash tonnage we head over to our recycling center and dump just the recycling side out where it is then sorted and recycled properly.



1 With this chute configuration, all the material is dumped into the curbside division of the body.



2 Chute in this configuration allows all the material to be dumped in the streetside division of the body.

