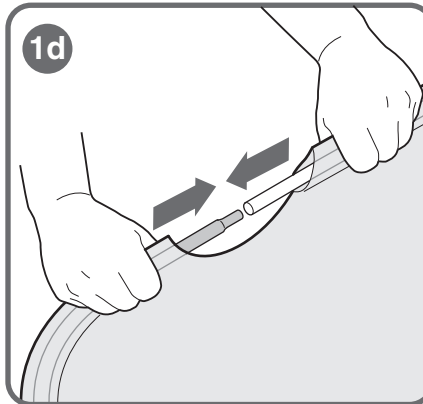
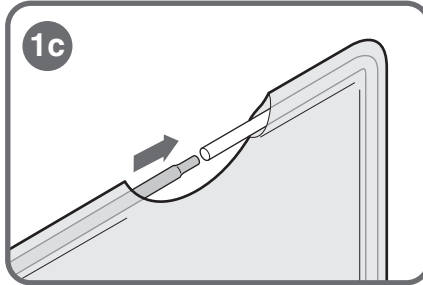
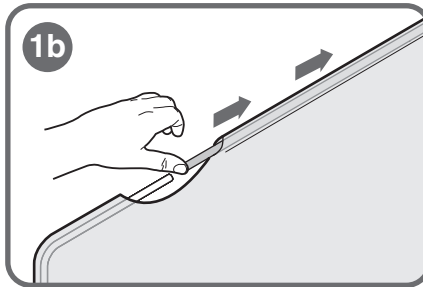
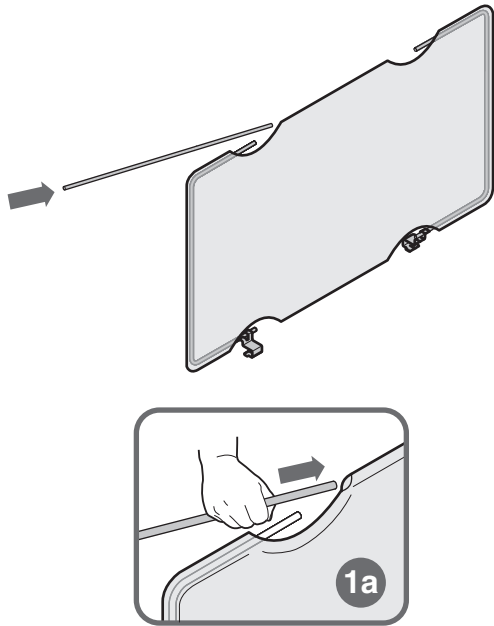
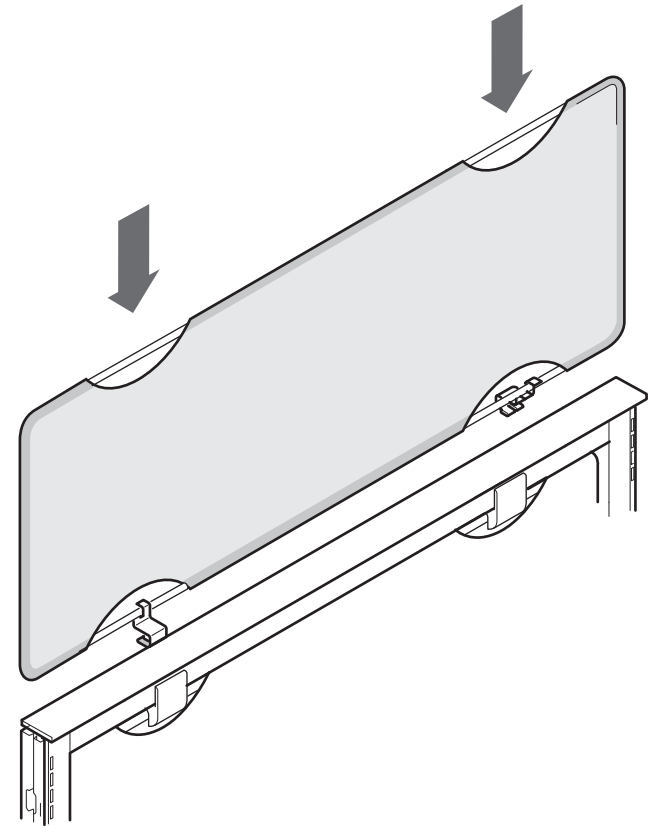


1. Install the top horizontal tube and the bottom horizontal tube into the fabric frame as shown. The vertical tubes are factory installed. Repeat procedure for bottom of screen.



2. Place the privacy screen down on top of panel, engaging the screen brackets into the 4th and 5th slots from the end of the frame as shown.

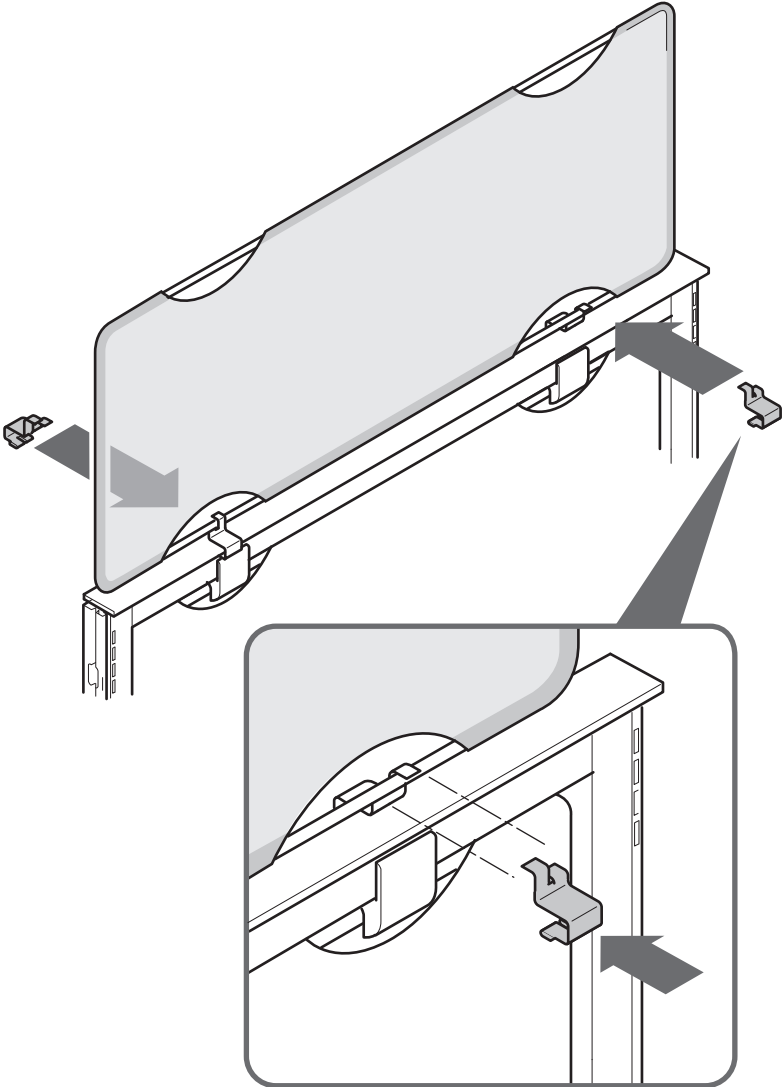


If you have a problem, question, or request, call your local dealer, or Steelcase Line 1 at **888.STEELCASE** (888.783.3522) for immediate action by people who want to help you. (Outside the U.S.A., Canada, Mexico, Puerto Rico, and the U.S. Virgin Islands, call: 1.616.247.2500) Or visit our website: www.steelcase.com

© 2012 Steelcase Inc.
Grand Rapids, MI 49501
U.S.A.

Printed in U.S.A.

3. Install attachment brackets as shown.



4. Install bracket retention cap.

