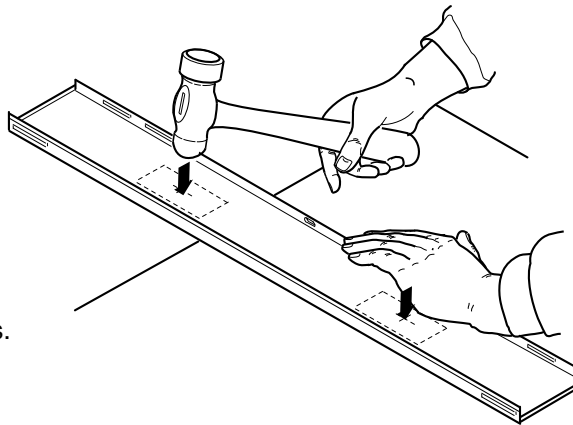


Removal of Base Trim Knockouts & Installation of 'Optional' Closure Plates (Elective Elements®)

Removal of Base Trim Knockouts

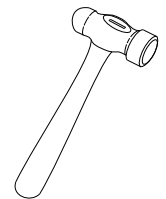
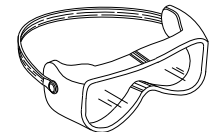
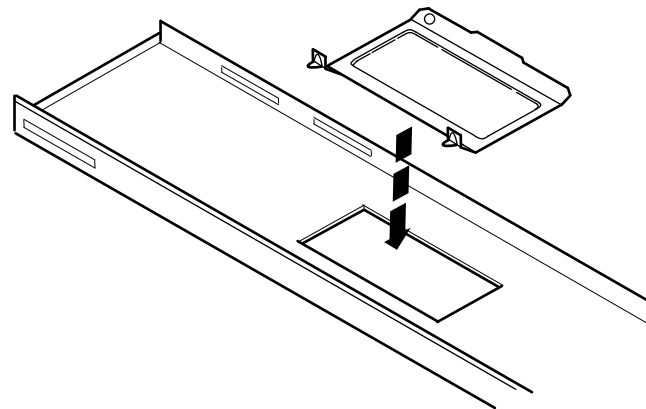
Lay base trim flat on surface with knockout extended out over edge, Face Down. Hold base plate down against surface with one hand, Using a small hammer and your other hand provide a sharp blow to the center of the knockout.

NOTE: Strike as close to center as possible, Avoid striking along the outline of the knockouts.



Installation of 'Optional' Closure Plates

After required knockouts are removed install 'optional' closure plates as shown.



If you have a problem, question, or request, call your local dealer, or Steelcase Line 1 at **888.STEELCASE** (888.783.3522) for immediate action by people who want to help you.

(Outside the U.S.A., Canada, Mexico, Puerto Rico, and the U.S. Virgin Islands, call: 1.616.247.2500)

Or visit our website: www.steelcase.com

© 2002 Steelcase Inc.

Grand Rapids, MI 49501

U.S.A.

Printed in U.S.A.