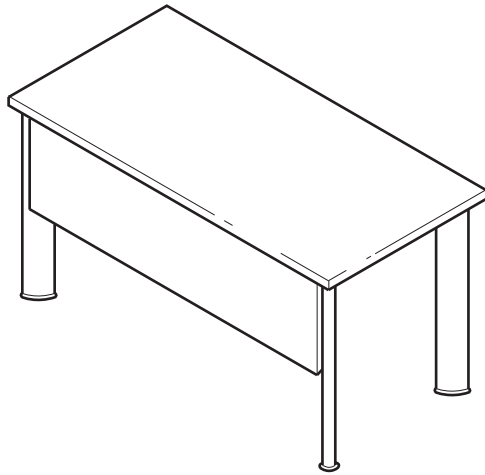
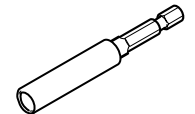
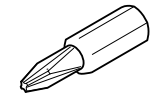
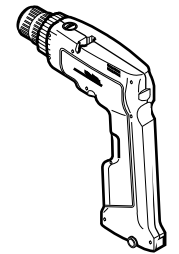
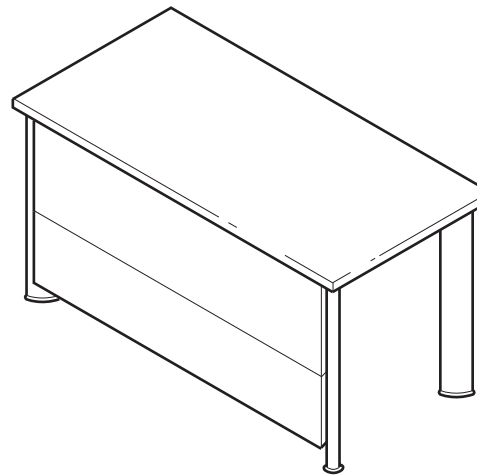


Half Height



Full Height



If you have a problem, question, or request, call your local dealer, or Steelcase Line 1 at **888.STEELCASE** (888.783.3522) for immediate action by people who want to help you.

(Outside the U.S.A., Canada, Mexico, Puerto Rico, and the U.S. Virgin Islands, call: 1.616.247.2500)

Or visit our website: www.steelcase.com

© 2002 Steelcase Inc.
Grand Rapids, MI 49501
U.S.A.

Printed in U.S.A.

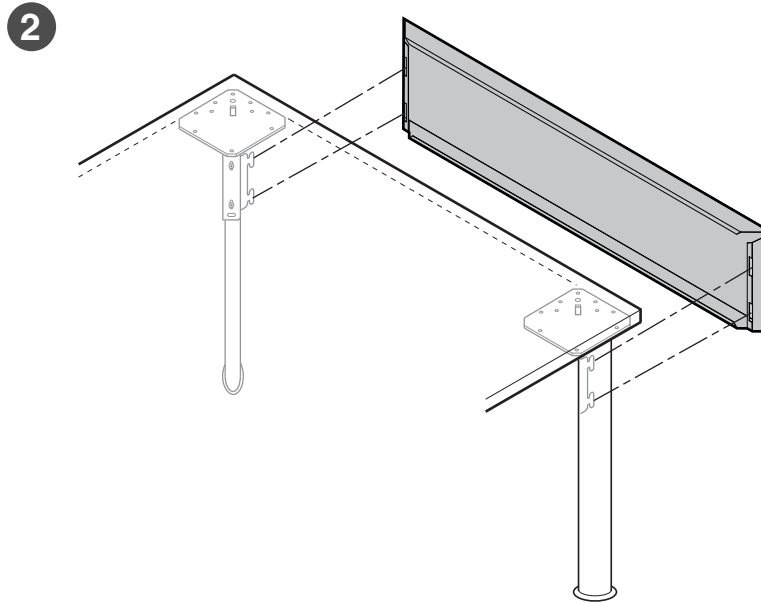
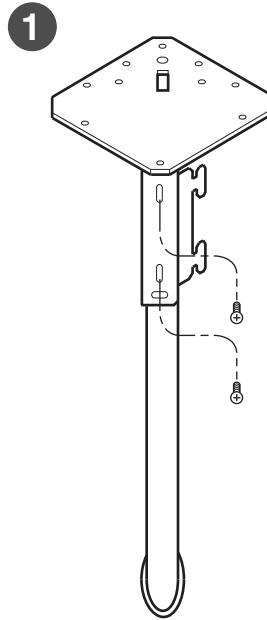
Modesty Panels

Step 1:
Mount bracket to top (2) holes on leg. Repeat on each corner of table.

Step 2:
Slide modesty panel onto the hooks, seat firmly.

Step 3:
For full height, add lower brackets and repeat steps 1 and 2.

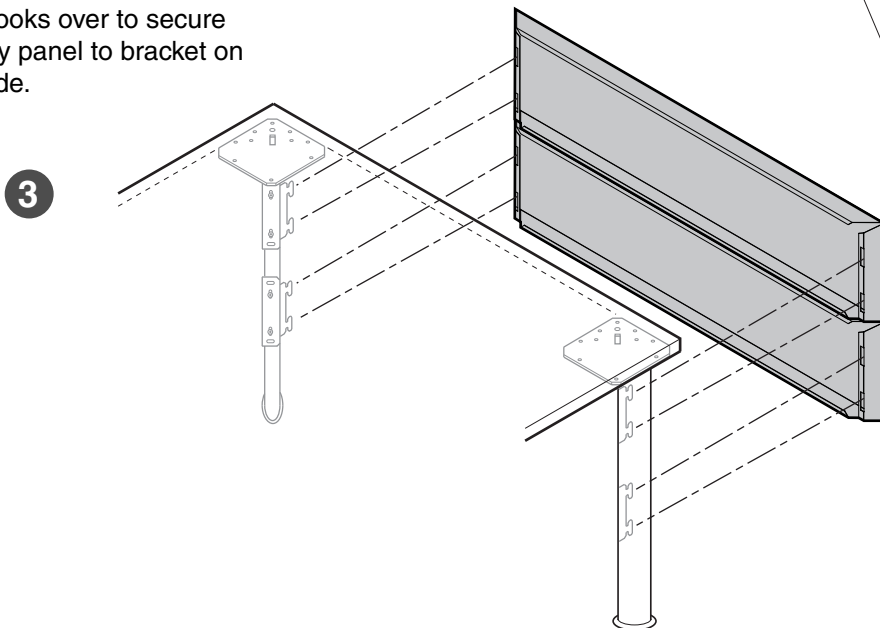
Step 4:
Bend hooks over to secure modesty panel to bracket on each side.



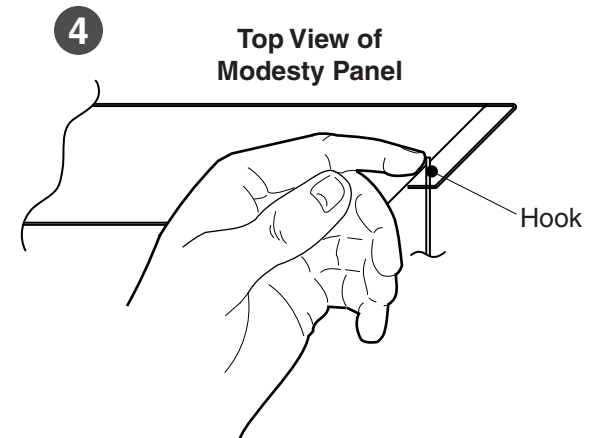
NOTE: Make sure notch in modesty panel is located at the top.

Side View of Modesty Panel

NOTE: Make sure notches in each modesty panel are located at the top.



Side View of Modesty Panels



Top View of Modesty Panel

Corner Mount

Step 1:

Overlap mounting brackets and mount to top (2) holes on leg. Repeat on each corner of table.

Step 2:

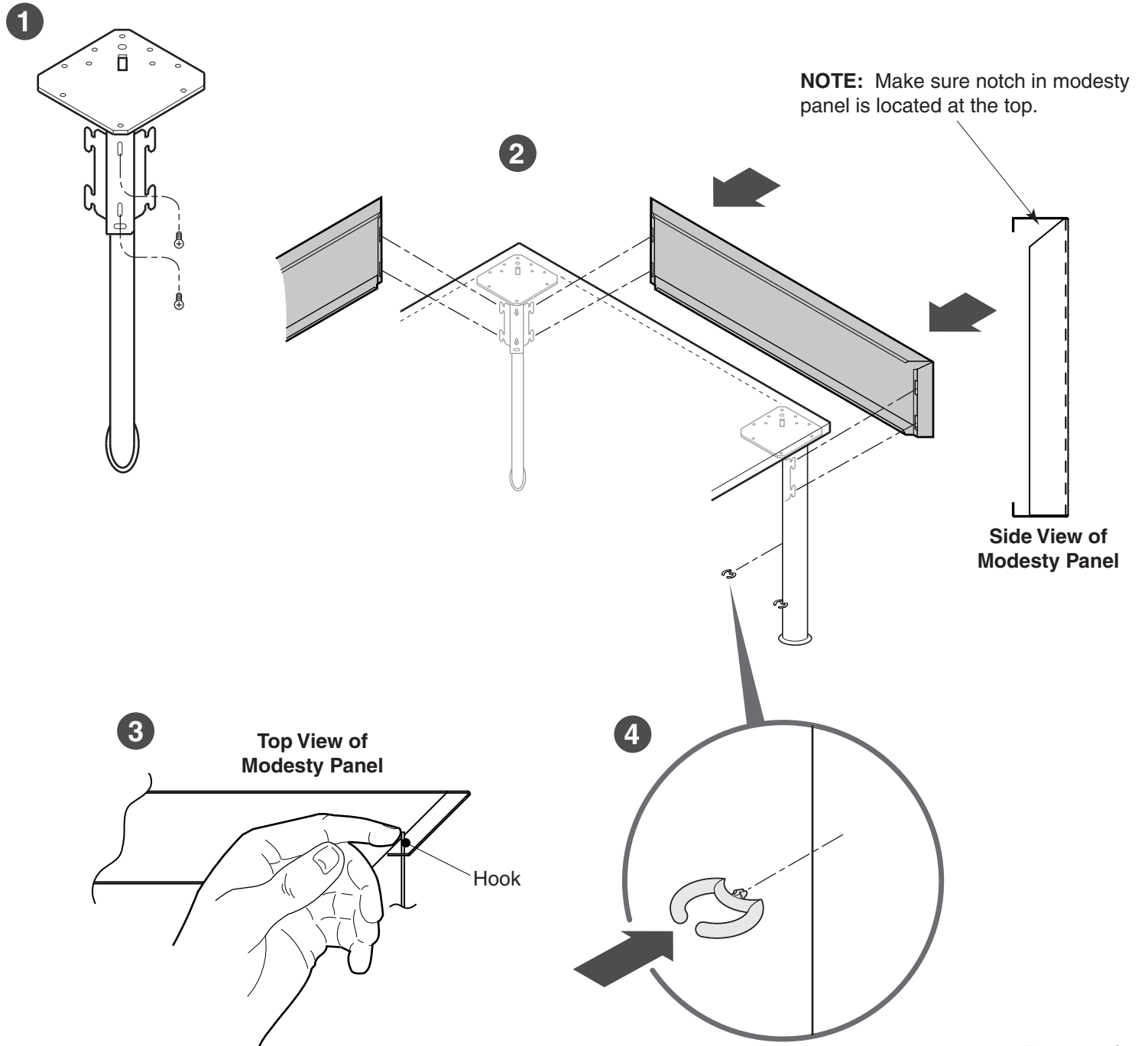
Slide modesty panel onto the brackets and seat firmly.

Step 3:

Bend hooks over to secure modesty panel to bracket on each side.

Step 4: Install Wire Manager

Snap leg wire manager into mounting holes on the legs. (ordered separately)



Modesty Panels Mounted to C-Leg

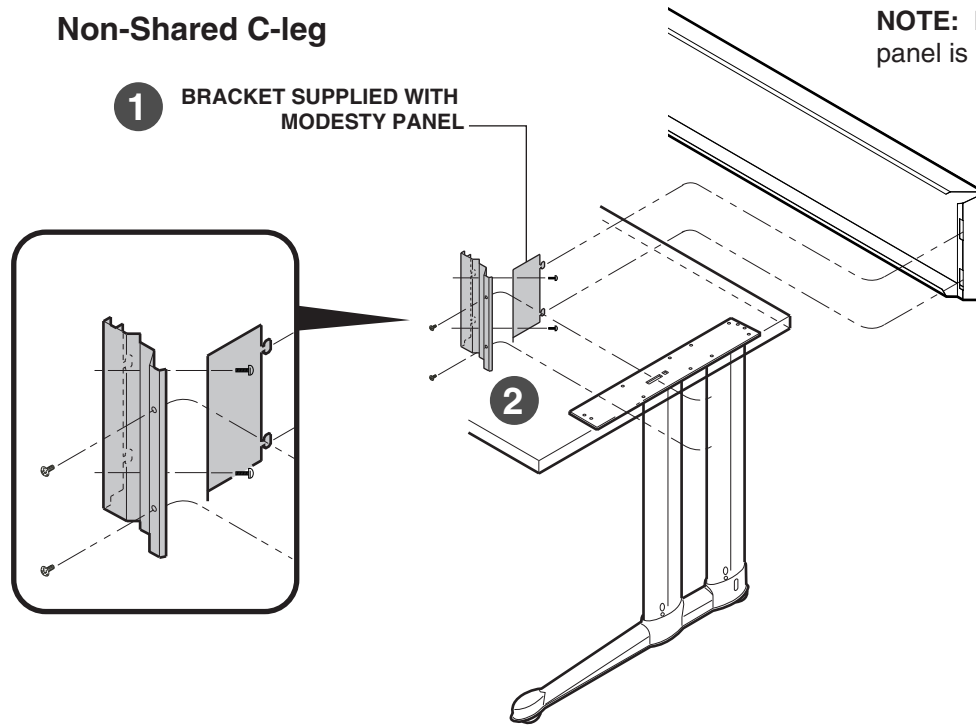
Step 1:
For non-shared C-leg:
Mount bracket received with the modesty panel to the C-leg modesty panel bracket.

Step 2:
For shared and non-shared C-leg:
Mount brackets to the C-leg.

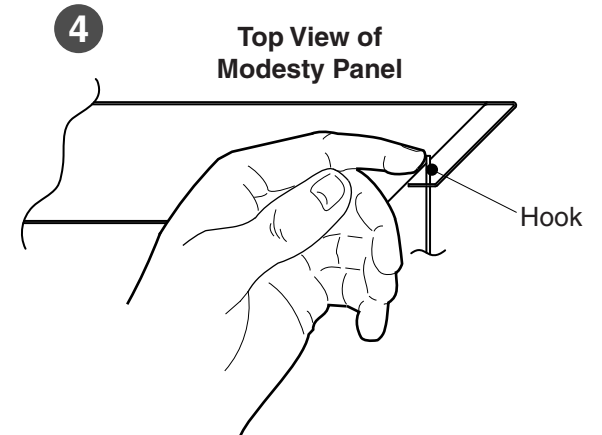
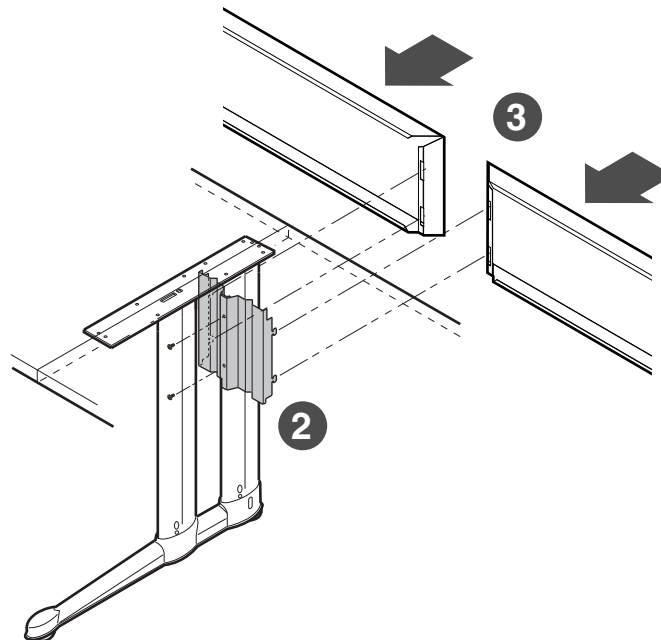
Step 3:
Slide modesty panel onto the indicated bracket hooks and seat firmly.

Step 4:
Bend hooks over to secure modesty panel to bracket on each side.

Non-Shared C-leg



Shared C-leg



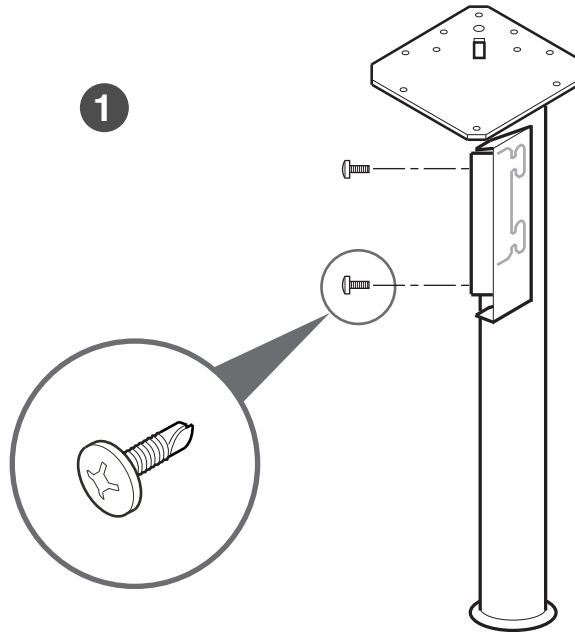
Modesty Panels Mounted to a Pedestal

Step 1:
Mount bracket to top (2) holes on leg.

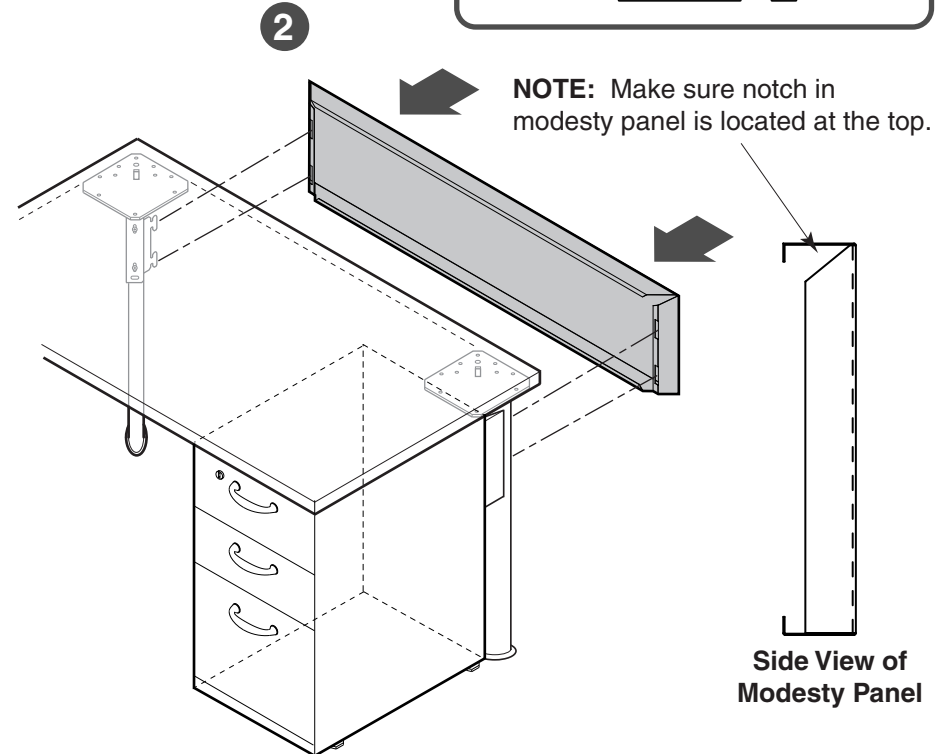
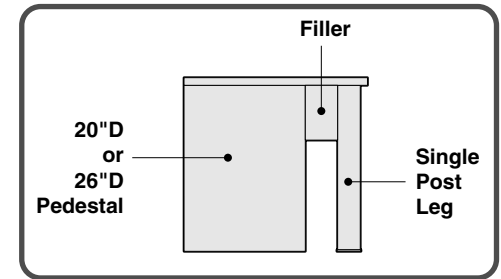
Step 2:
Slide modesty panel onto the hooks, seat firmly.

NOTE: Panel should be parallel to edge of worksurface.

Step 3:
Bend hooks over to secure modesty panel to bracket on each side.

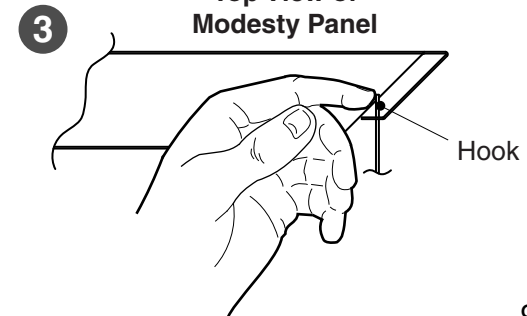


Side View of Installed Leg with Filler Panel to Pedestal

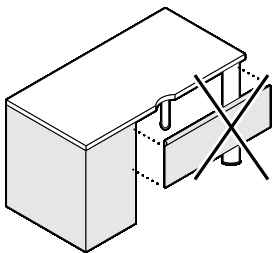


Side View of Modesty Panel

Top View of Modesty Panel



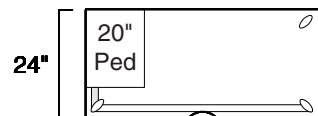
Not Applicable



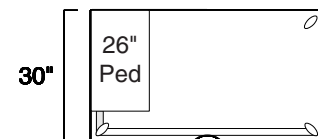
NOTE: Not applicable for 24" and 30" deep pedestals.

Modesty panel cannot be connected to a full-depth pedestal. 24"D and 30"D pedestals with handle pulls cannot accept modesty panels.

Acceptable Configurations



24" 20" Ped
24"D worksurface and 20"D pedestal must be used together when using this filler.



30" 26" Ped
30"D worksurface and 26"D pedestal must be used together when using this filler.