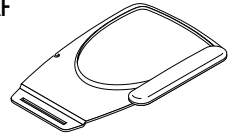


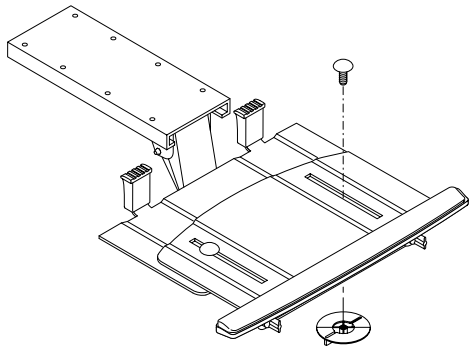


Installation Instructions

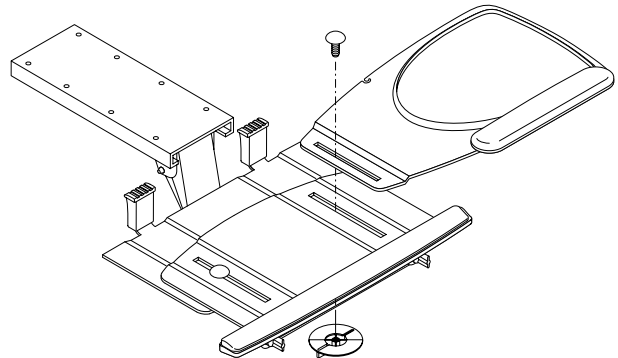
Compact Keyboard
Fixed Mouse Support
CKF



- 1** Remove one of the knobs and screws.



- 2** Attach Mouse Pad, replace knob and screw. Tighten enough to secure.



- 3** Palm rest is removable for left or right-hand mousing.

