



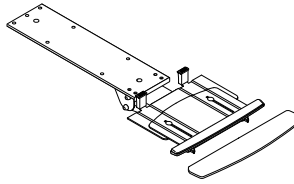
Installation Instructions

Needed for installation:

- Power drill
- 1/8" drill bit
- Phillips head bit
- 3/8" wrench

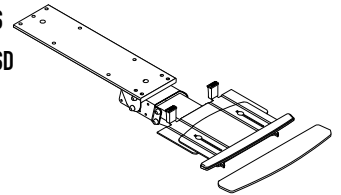
Standard Spring Assist Compact Platform

CSKS
CSKSD



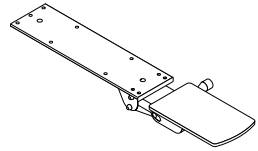
Extended Spring Assist Compact Platform

CSEKS
CSEKSD



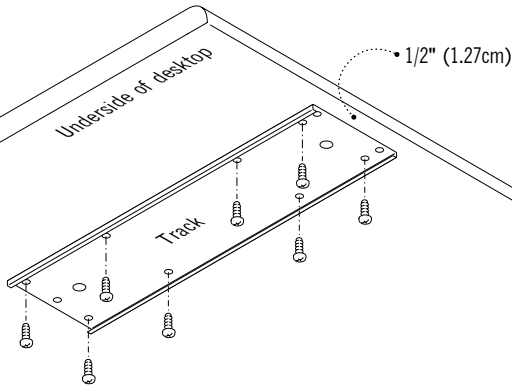
Adjustable Writing/Mousing

CADW



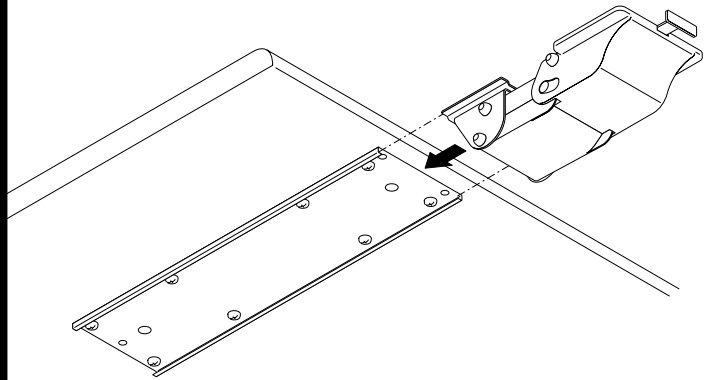
- 1** Please make use of all appropriate hardware provided. Retain two screws for attachment of front cap.

Pre-drill holes.
Attach track.



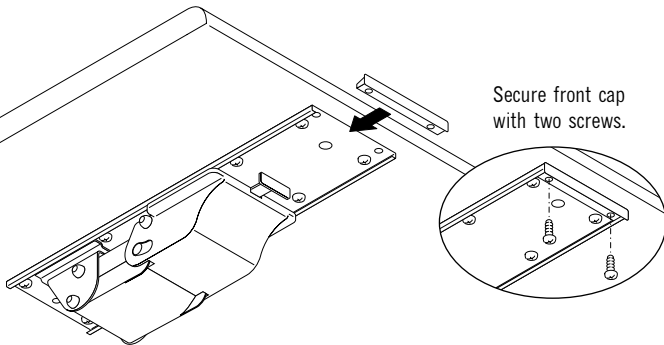
Note: Orient track so holes align with channels on Series 9000 top.

- 2** Slide mechanism into track.



- 3** Pre-drill holes and insert end cap.

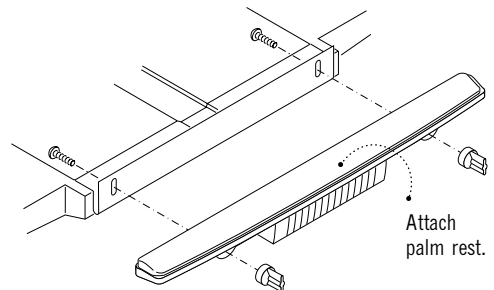
Secure front cap
with two screws.



Attach keyboard platform to mechanism using the nuts provided.

Note: Enclosed self-adhesive cable clips may be attached anywhere to help keep cables out of the way.

- 4** For keyboard products only:



Using the knobs under product,
adjust shelf for secure keyboard fit.