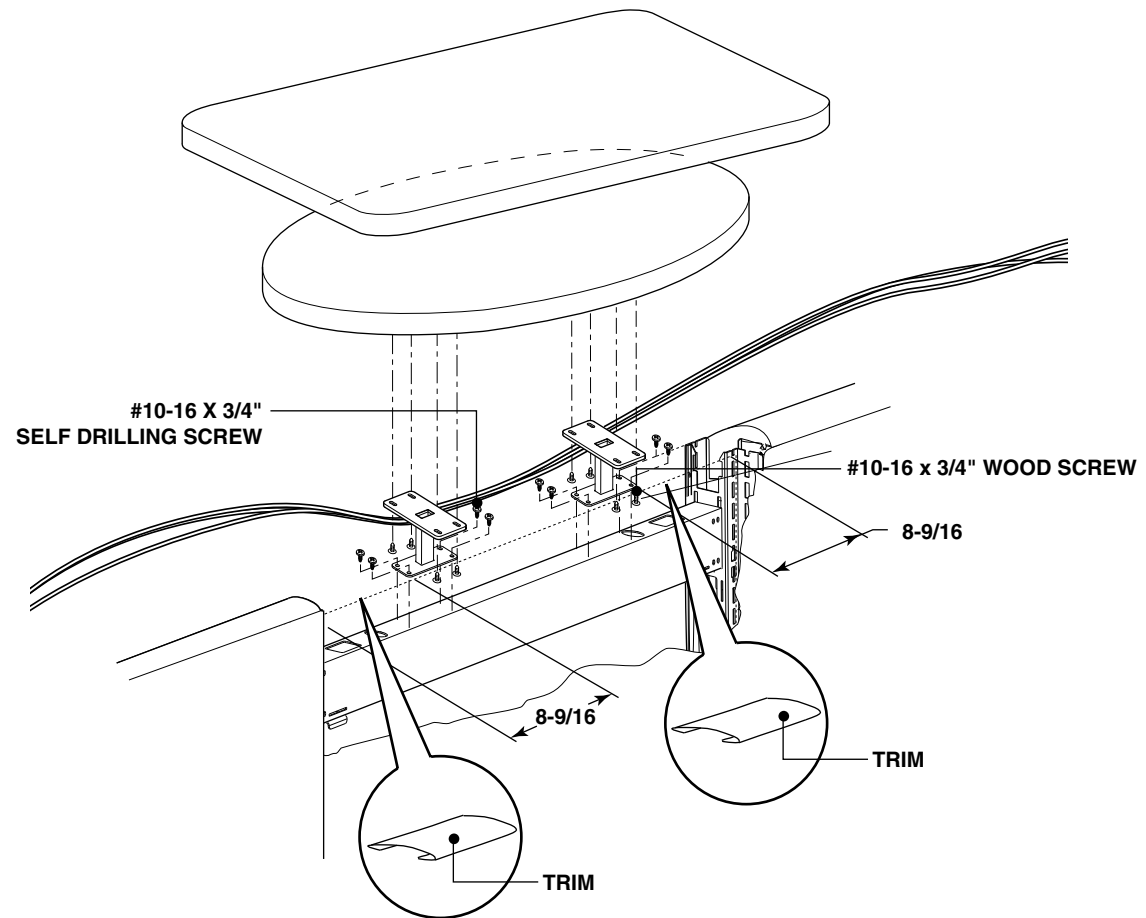


#2 Phillips

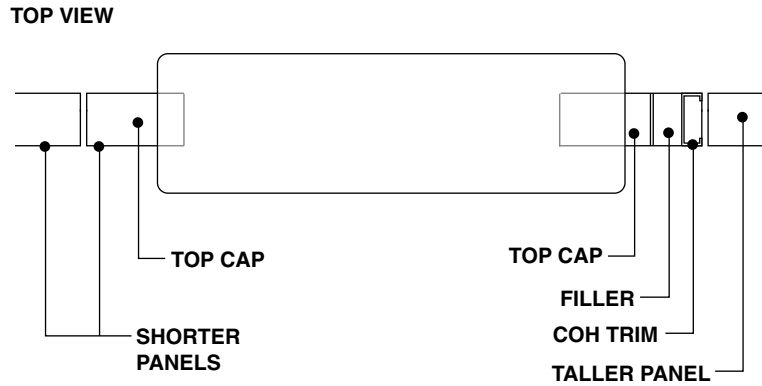
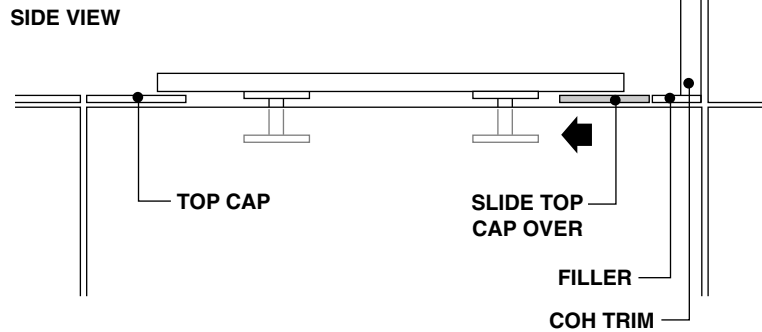
If you have a problem, question, or request, call your local dealer, or Steelcase Line 1 at **888.STEELCASE** (888.783.3522) for immediate action by people who want to help you. (Outside the U.S.A., Canada, Mexico, Puerto Rico, and the U.S. Virgin Islands, call: 1.616.247.2500) Or visit our website: www.steelcase.com

© 2007 Steelcase Inc.
Grand Rapids, MI 49501
U.S.A.
Printed in U.S.A.

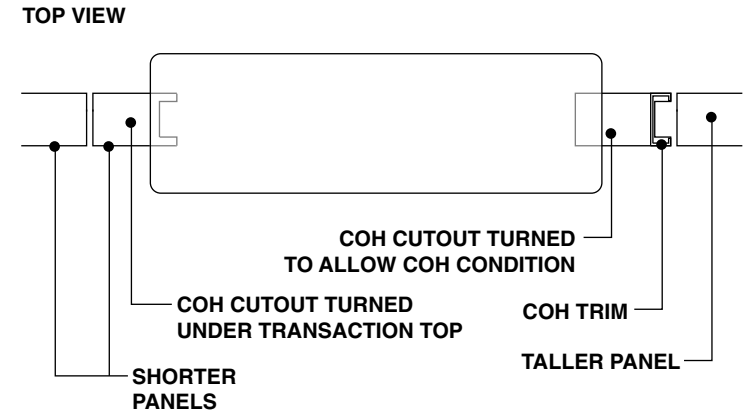
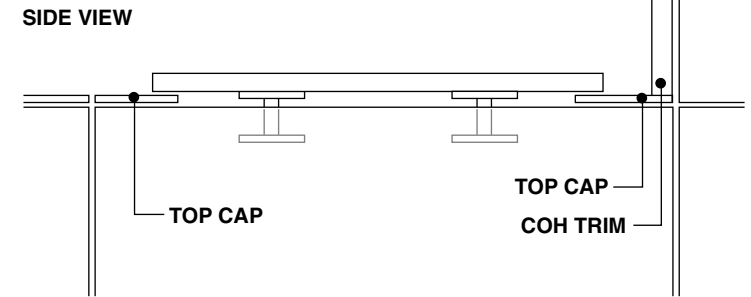
1. Mount bracket 8-9/16" from inside of the vertical junction face.
2. Attach trim.
3. Center and mount transaction top.



**Oval Profile
Change-of-Height
Condition**



**Thin and Square Profile
Change-of-Height
Condition**



1. For oval profile top caps, slide the top cap further under the transaction top to make room for the COH filler.

2. For thin and square profile top caps, flip the top cap around to be sure the appropriate end is protruding out from under the transaction top. Versions for slim COH and cable management COH are available for square trim.

NOTE: Refer to assembly instruction #939504672 for more information on change-of-height applications.

