

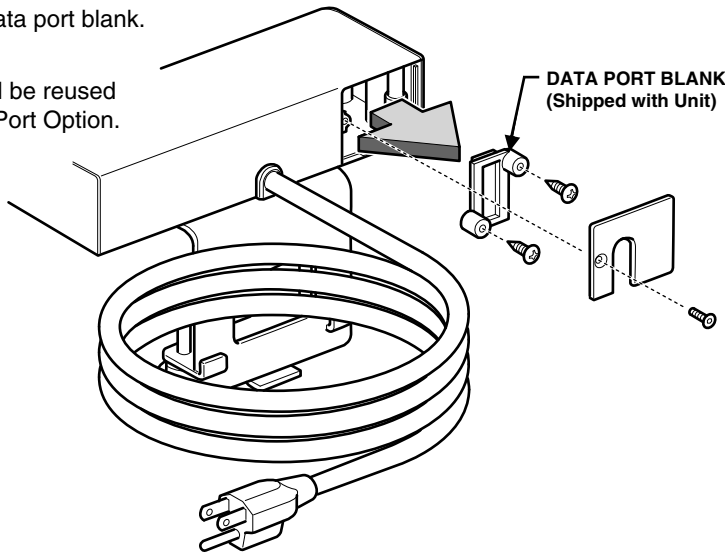
NOTICE:

This device complies with part 15 of the FCC rules. Operation is subject to the following two conditions: (1) This device may not cause harmful interference, and (2) this device must accept any interference received, including interference that may cause undesired operation.

1 Remove data port blank.

NOTE:

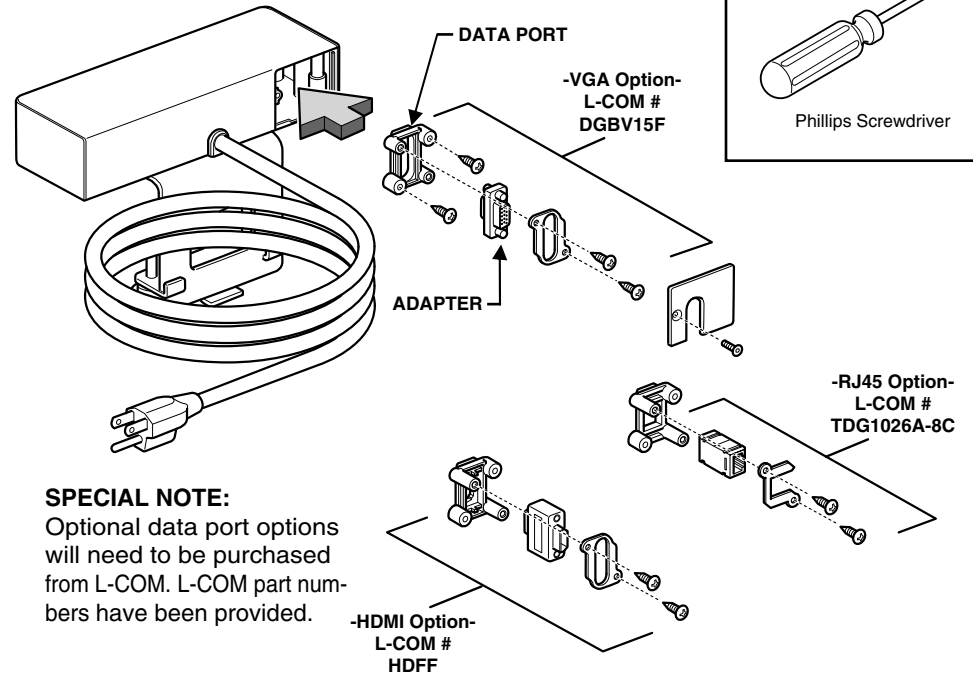
Screws will be reused with Data Port Option.



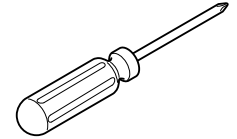
2 Install data port option - (RJ45, HDMI, VGA).

NOTE:

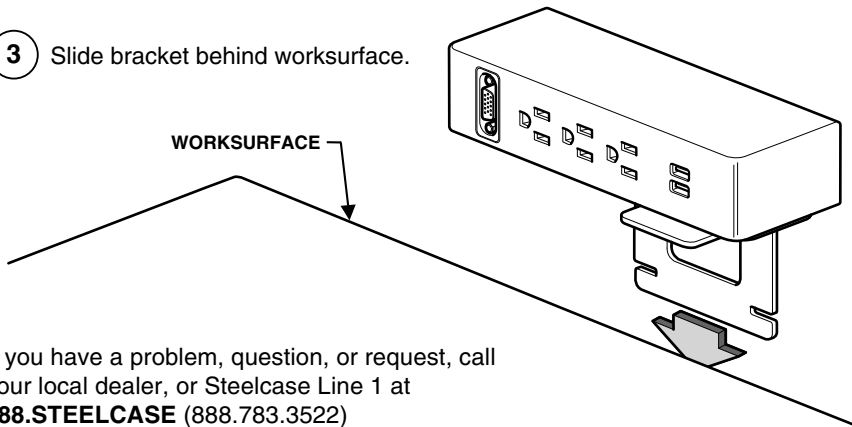
Reuse screws from previous step and secure Adapter to Data Port prior to assembling unit.



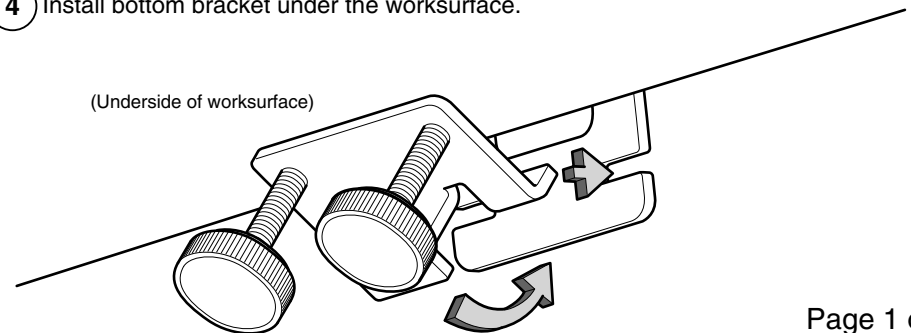
Tools Required



3 Slide bracket behind worksurface.



4 Install bottom bracket under the worksurface.



If you have a problem, question, or request, call your local dealer, or Steelcase Line 1 at **888.STEELCASE** (888.783.3522) for immediate action by people who want to help you.

(Outside the U.S.A., Canada, Mexico, Puerto Rico, and the U.S. Virgin Islands, call: 1.616.247.2500)

Or visit our website: www.steelcase.com

© 2015 Steelcase Inc.

Grand Rapids, MI 49501

U.S.A.

Printed in U.S.A.

- 5 Secure thumb screws and route power cord option to nearest power distribution source.

