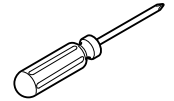


NOTICE:

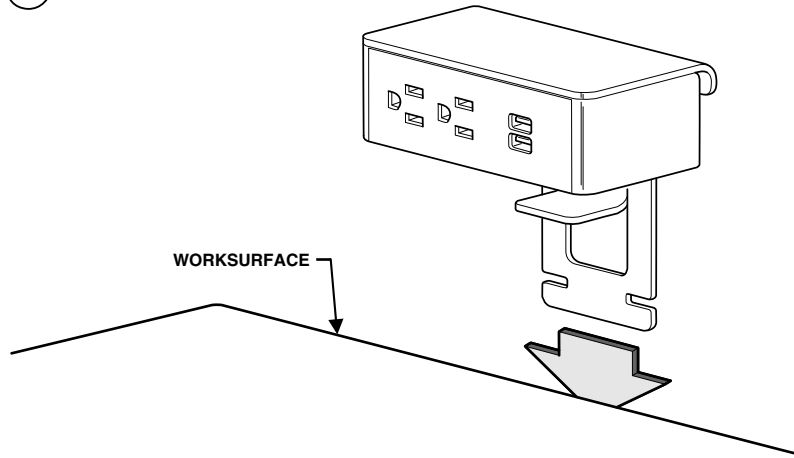
This device complies with part 15 of the FCC rules. Operation is subject to the following two conditions: (1) This device may not cause harmful interference, and (2) this device must accept any interference received, including interference that may cause undesired operation.

Tools Required

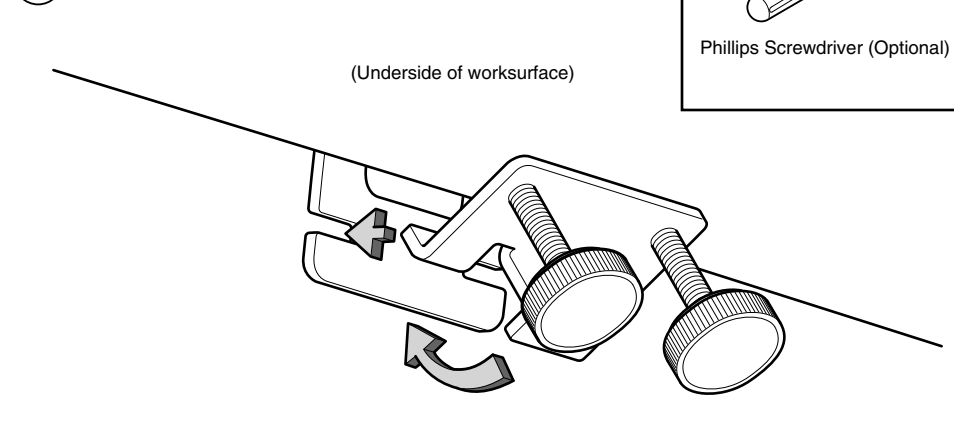


Phillips Screwdriver (Optional)

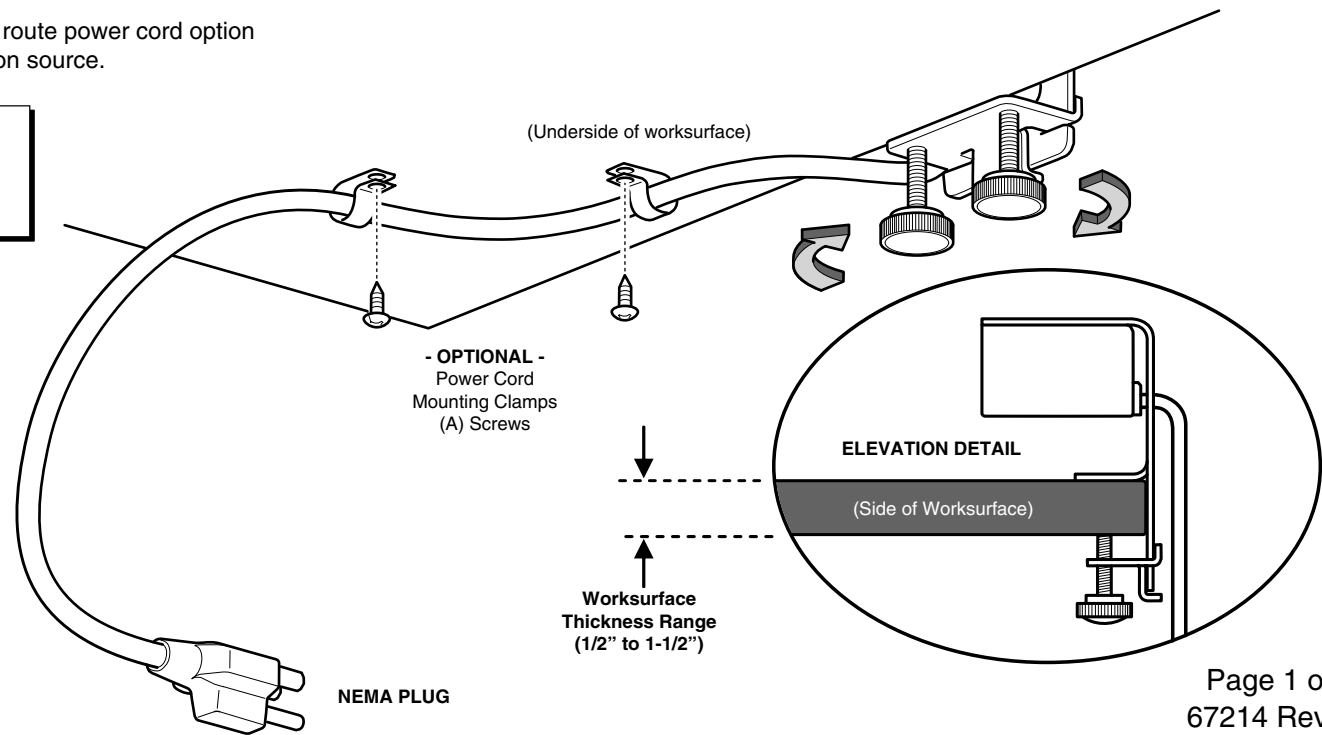
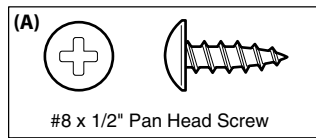
1 Slide bracket behind worksurface.



2 Install bottom bracket under the worksurface.



3 Secure thumb screws and route power cord option to nearest power distribution source.



If you have a problem, question, or request, call your local dealer, or Steelcase Line 1 at **888.STEELCASE** (888.783.3522) for immediate action by people who want to help you.

(Outside the U.S.A., Canada, Mexico, Puerto Rico, and the U.S. Virgin Islands, call: 1.616.247.2500) Or visit our website: www.steelcase.com

© 2015 Steelcase Inc.
Grand Rapids, MI 49501
U.S.A.

Printed in U.S.A.

NEMA PLUG