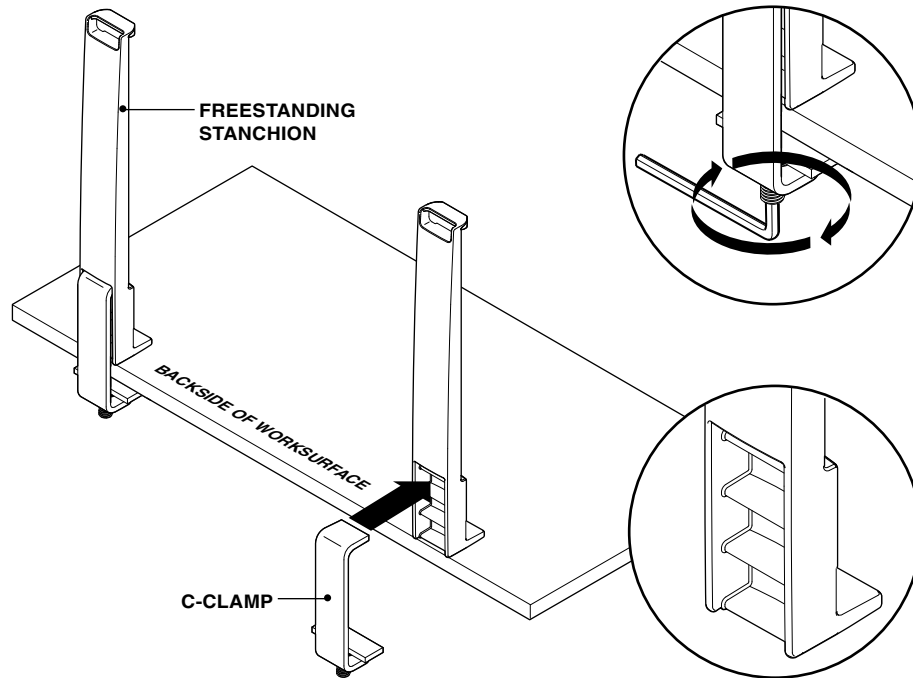
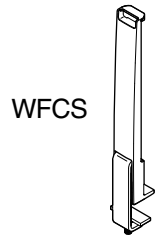
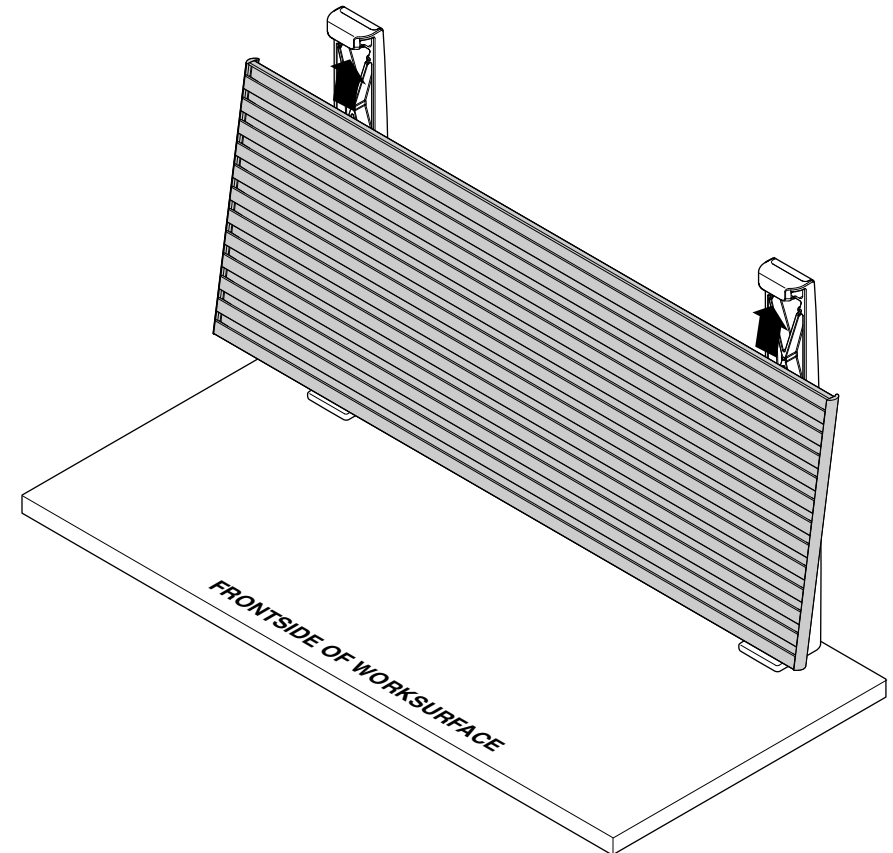


- 1 Attach freestanding stanchions to worksurface with provided C-clamps. Tighten set screw. Use mounting plate between worksurface and set screw.



- 2 Attach slatwall. Slide top portion of slatwall into mounted bracket.



If you have a problem, question, or request, call your local dealer, or Steelcase Line 1 at **888.STEELCASE** (888.783.3522) for immediate action by people who want to help you.

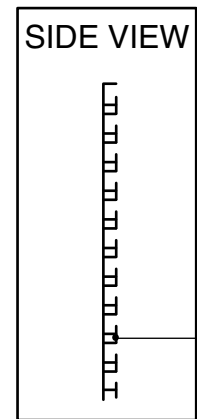
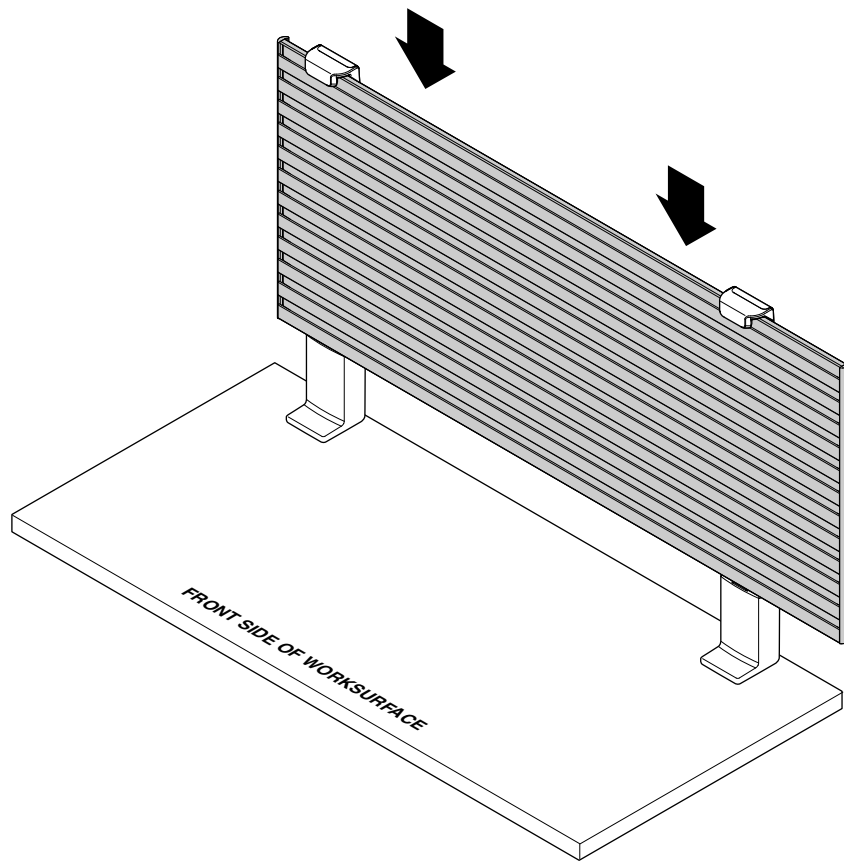
(Outside the U.S.A., Canada, Mexico, Puerto Rico, and the U.S. Virgin Islands, call: 1.616.247.2500)

Or visit our website: www.steelcase.com

© 2015 Steelcase Inc.
Grand Rapids, MI 49501
U.S.A.

Printed in U.S.A.

- 3 Drop bottom portion of slatwall into bracket.



NOTE: For proper installation, slatwall hooks should be upward.

- 4 Insert slatwall retention clip into top of each stanchion to prevent accidental dislodgement.

