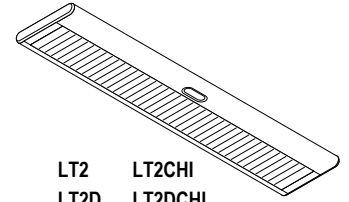
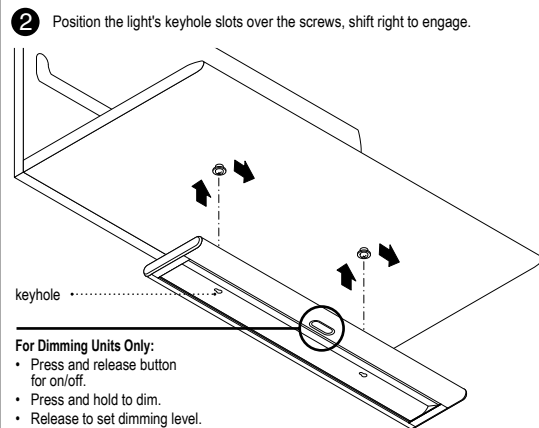
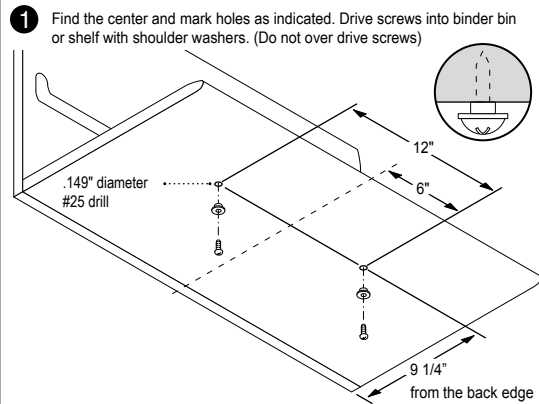


Underline® Task Light For Flush & Recessed Mount (See other side for Daisy Chain Connections)

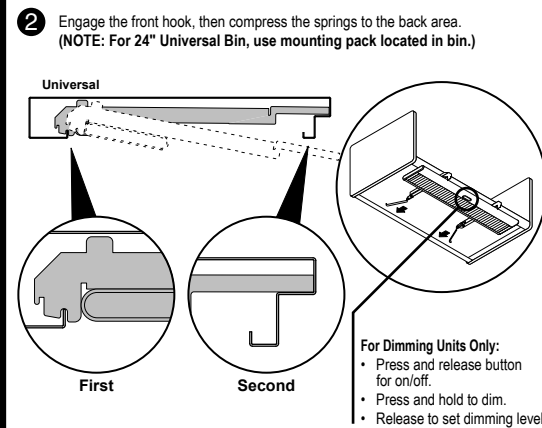
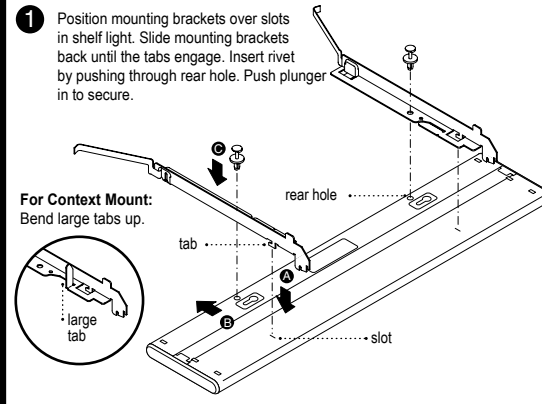


LT2 LT2CHI
 LT2D LT2DCHI
 LT2Y LT2DY

For Flush Mount (Includes Laboratory Solutions)



For Recessed Mount



If you have a problem, question, or request, call your local dealer, or Steelcase Line 1 at **888.STEELCASE** (888.783.3522) for immediate action by people who want to help you.

(Outside the U.S.A., Canada, Mexico, Puerto Rico, and the U.S. Virgin Islands, call: 1.616.247.2500) Or visit our website: www.steelcase.com

© 2015 Steelcase Inc.
 Grand Rapids, MI 49501
 U.S.A.

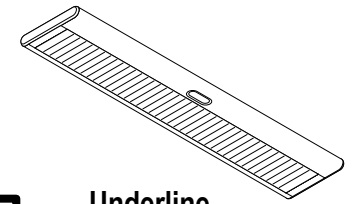
Printed in U.S.A.

WARNING:
To Prevent Risk of Electrical Shock . . .

- 1** All electrical installations must be done by qualified personnel in accordance with codes regulations applicable at the installation site.
- 2** Before beginning work, ensure that electrical power has been removed from the circuits that are being connected to or disconnected from.
- 3** Ensure that circuits to which the lights are connected are properly grounded and are the correct voltage.
- 4** To prevent wiring damage or abrasion, do not expose wiring to edges of sheet metal or other sharp objects.

Connection Instructions

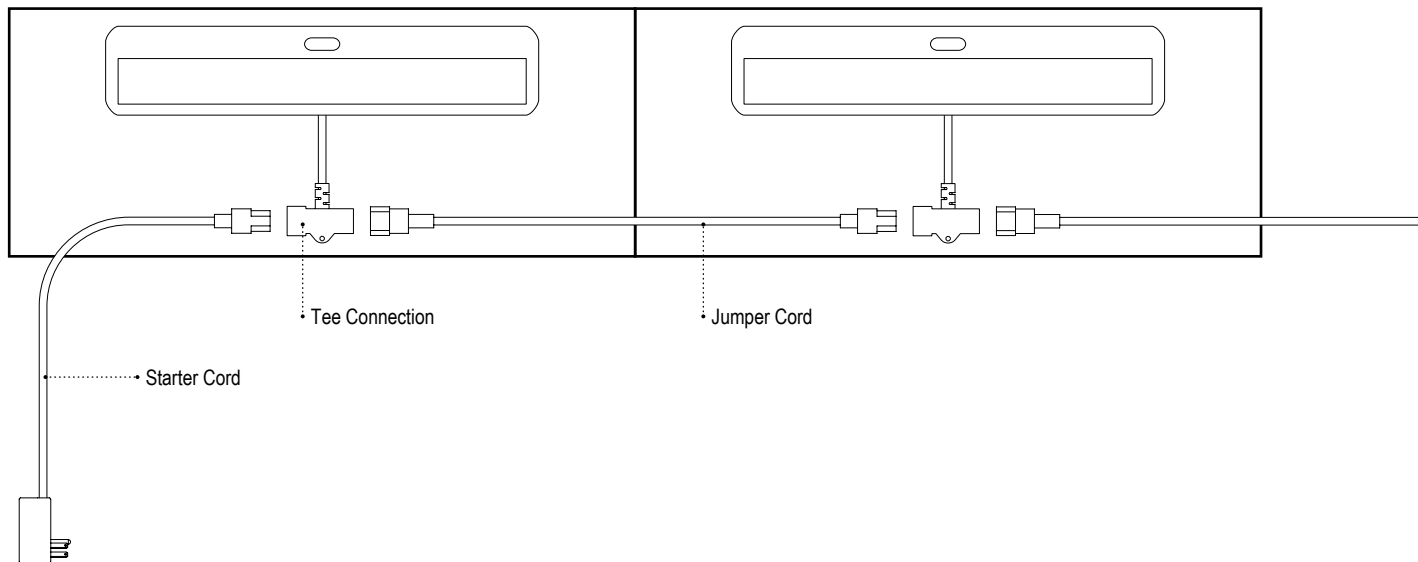
For Daisy Chain



**Underline
Task Light**

LT2Y LT2DY

- 1 Mount light. (See other side)
- 2 Connect jumper cord between lights.
- 3 Connect starter cord and plug into power receptacle.



Notice: This system is design for use within an individual workstation only. Cords must NOT be passed through or inside panels. Do NOT plug into power source until ALL daisy-chain connections in a circuit are completed. Do NOT daisy-chain more than six (6) adjacent lights per circuit. The daisy-chain starter cord with circuit breaker plug and jumper cord MUST be purchased from Details, Inc.



WARNING:
To Prevent Risk
of Electrical Shock . . .

- 1 All electrical installations must be done by qualified personnel in accordance with codes regulations applicable at the installation site.
- 2 Before beginning work, ensure that electrical power has been removed from the circuits that are being connected to or disconnected from.
- 3 Ensure that circuits to which the lights are connected are properly grounded and are the correct voltage.
- 4 To prevent wiring damage or abrasion, do not expose wiring to edges of sheet metal or other sharp objects.