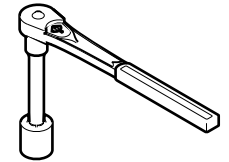
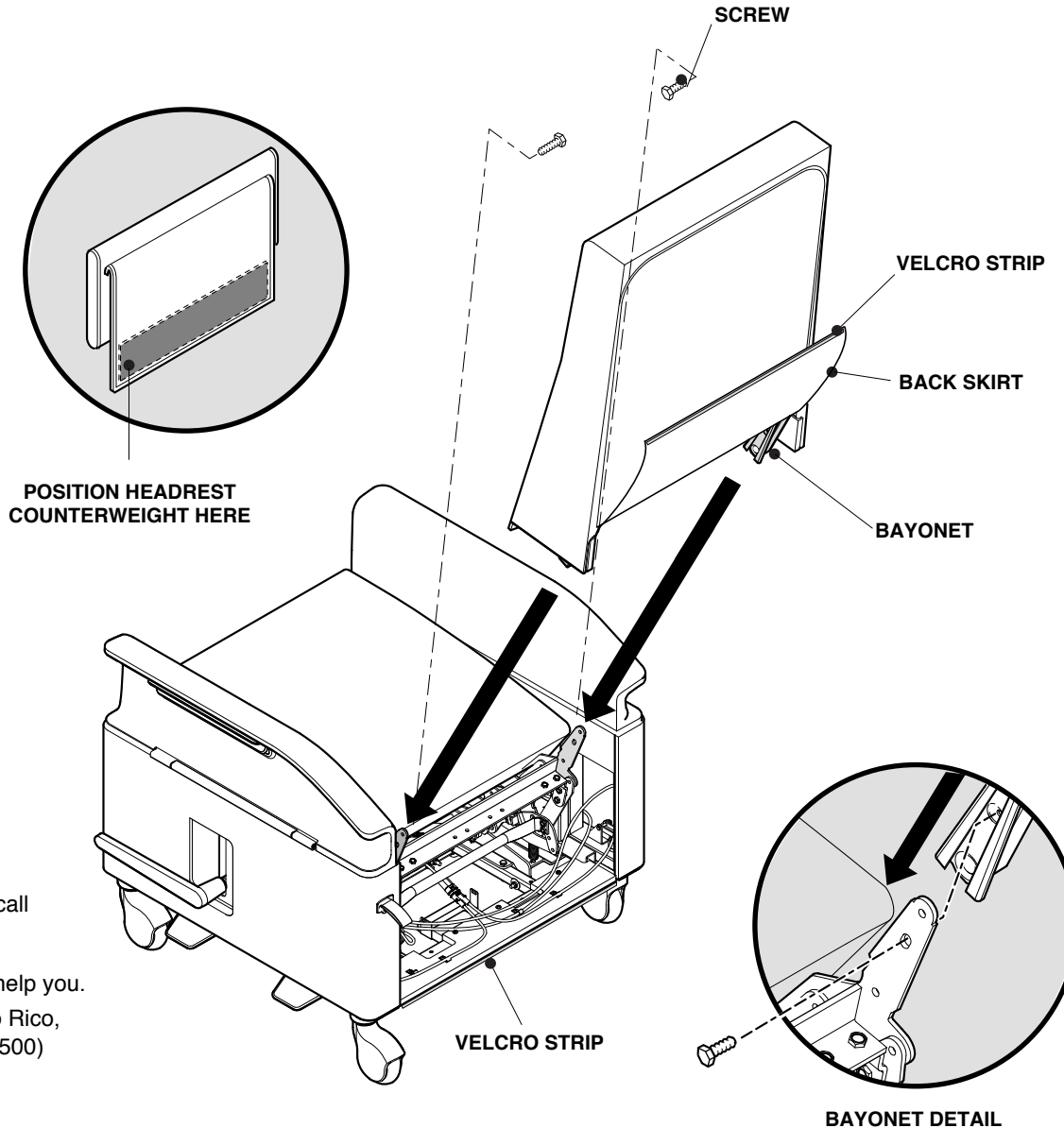


Attach seat back

1. Lift back skirt.
2. Locate bayonets.
3. Slide back into place.
4. Secure back with one screw each side.
5. Attach velcro skirt.
6. For optional headrest, move counterweight in area shown before attachment to recliner.



7/16" Socket

If you have a problem, question, or request, call your local dealer, or Steelcase Line 1 at **888.STEELCASE** (888.783.3522) for immediate action by people who want to help you. (Outside the U.S.A., Canada, Mexico, Puerto Rico, and the U.S. Virgin Islands, call: 1.616.247.2500) Or visit our website: www.steelcase.com

© 2014 Steelcase Inc.
Grand Rapids, MI 49501
U.S.A.

Printed in U.S.A.