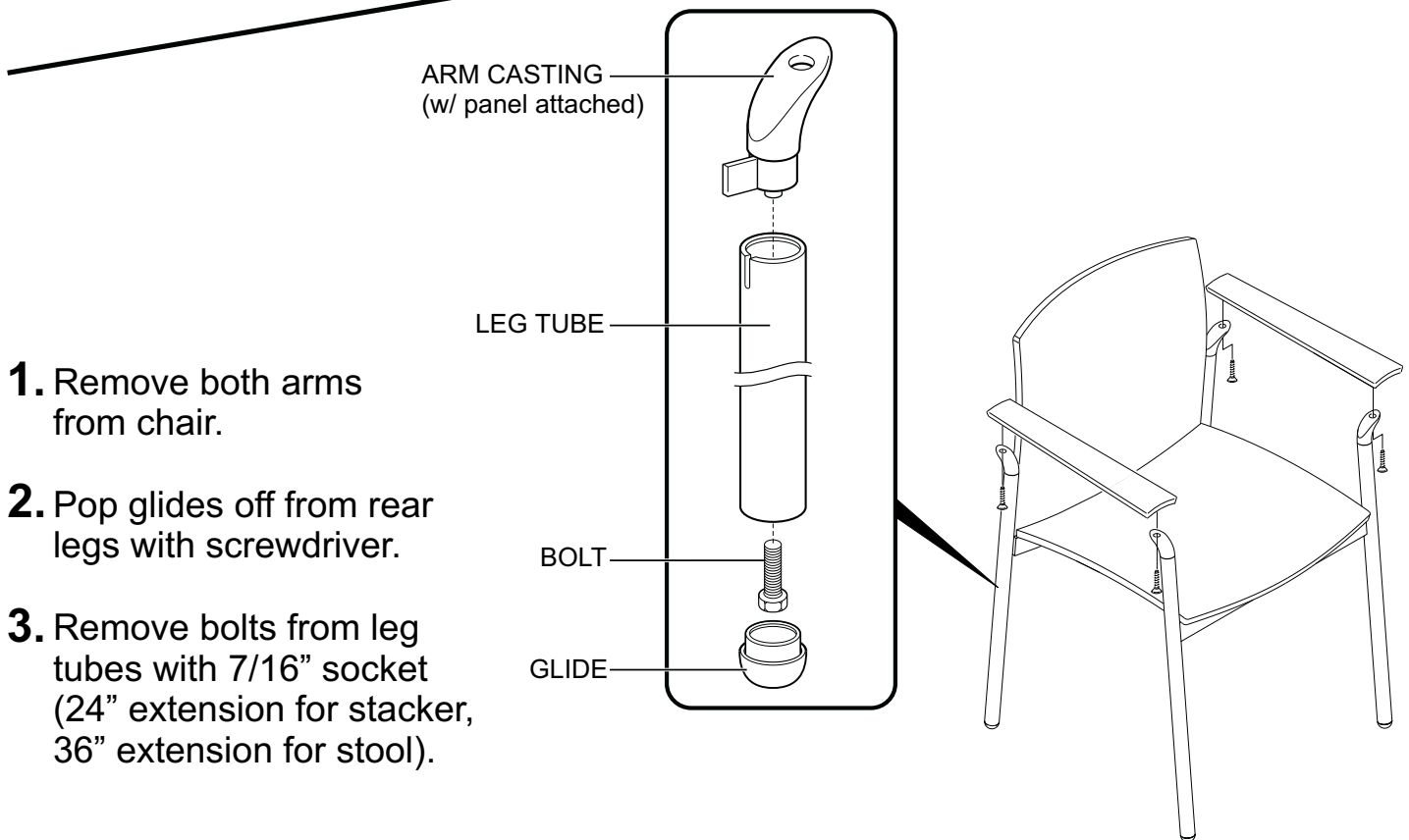
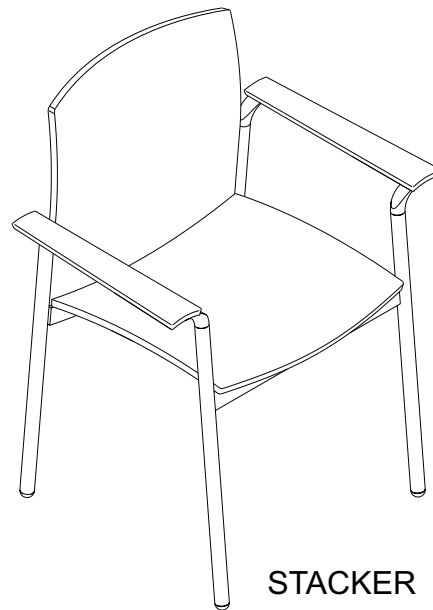
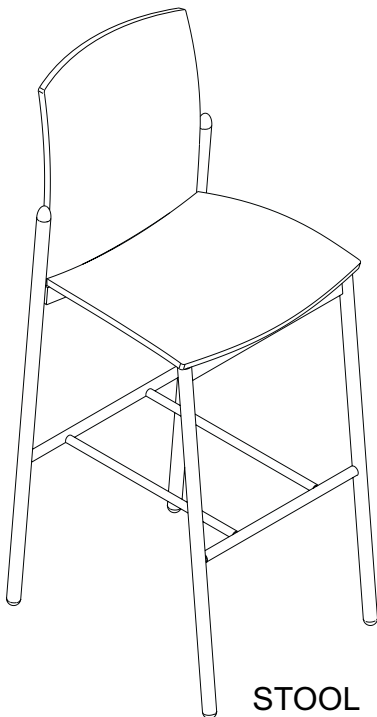
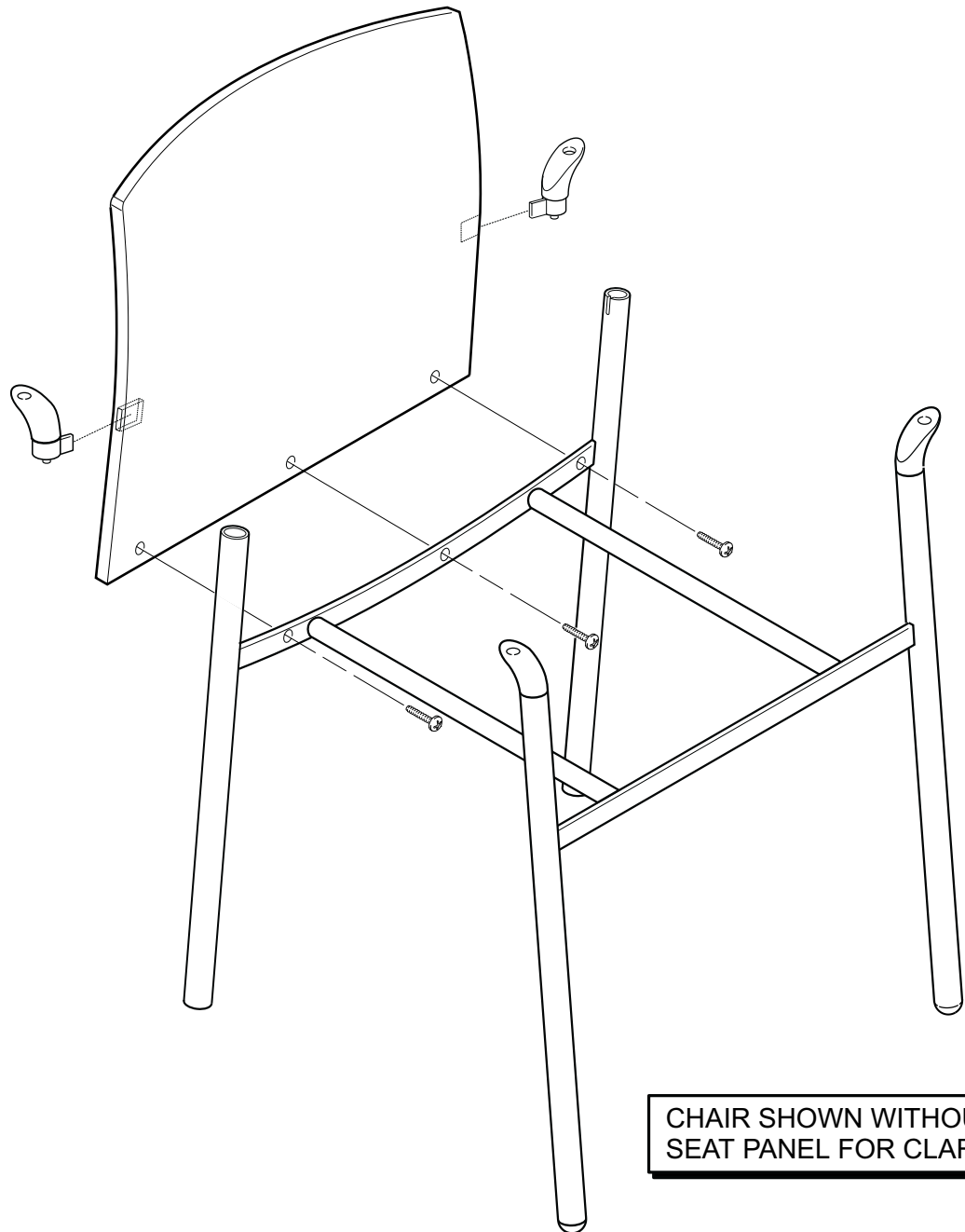


Deck Seating - Replacing a Back Panel





- 4.** Remove (3) screws holding back panel to chair frame.
- 5.** Pull back panel (with arm castings) up free of frame.
- 6.** Remove arm castings.
- 7.** Follow steps in reverse to install new back panel.