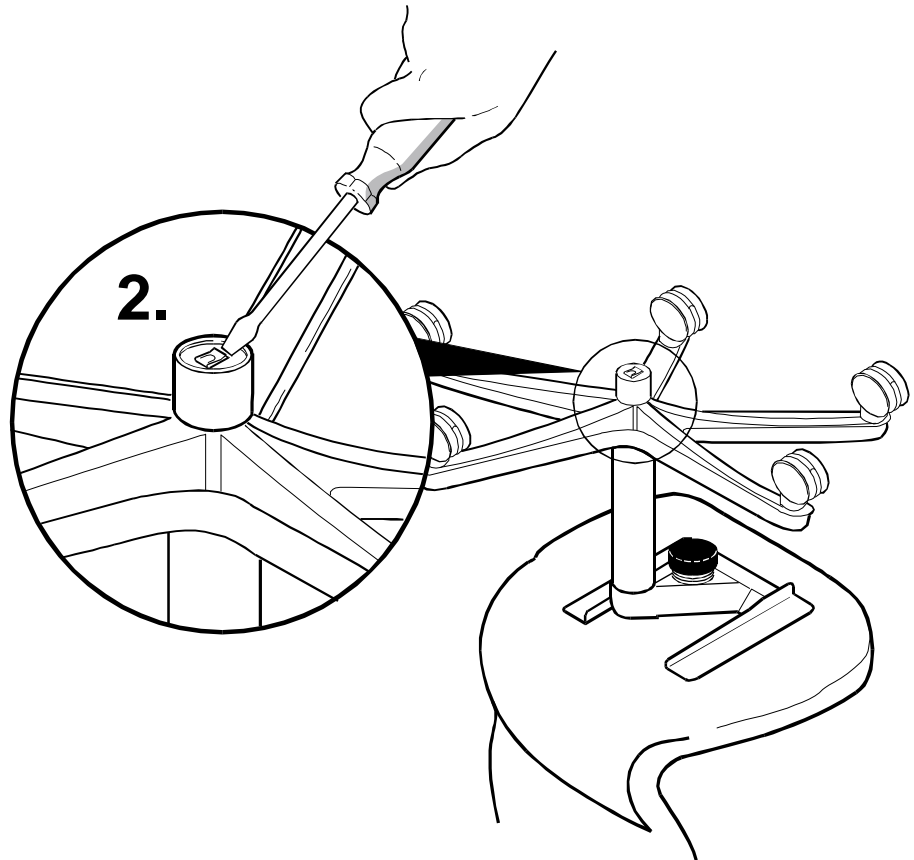


## **Pneumatic Cylinder Replacement (Taper Fit only) for Broadmoor and Cane Creek Seating**



- 1. Carefully turn chair over.**
- 2. Remove clip and pull off base with column.**
- 3. One person holds tightly to cylinder while another strikes control with hammer and chisel or screwdriver to remove cylinder.**
- 4. Insert new cylinder and seat securely by striking with a rubber hammer.**
- 5. Reassemble base, secure with clip and carefully turn chair back over.**

**3. STRIKE HERE**

