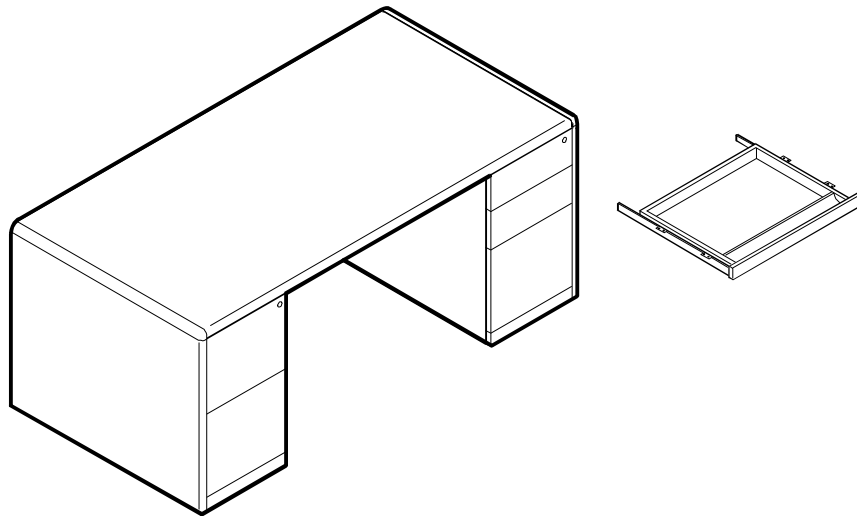
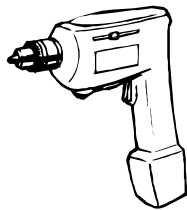


Wood Center Drawer Installation

300/400 Series,
Valencia, Stafford



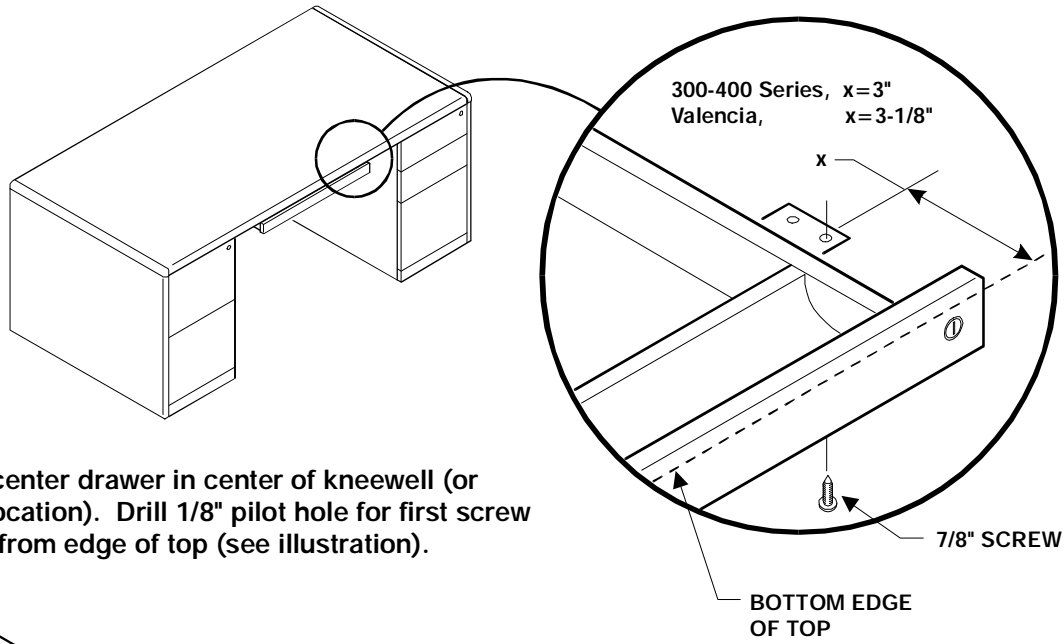
Tools



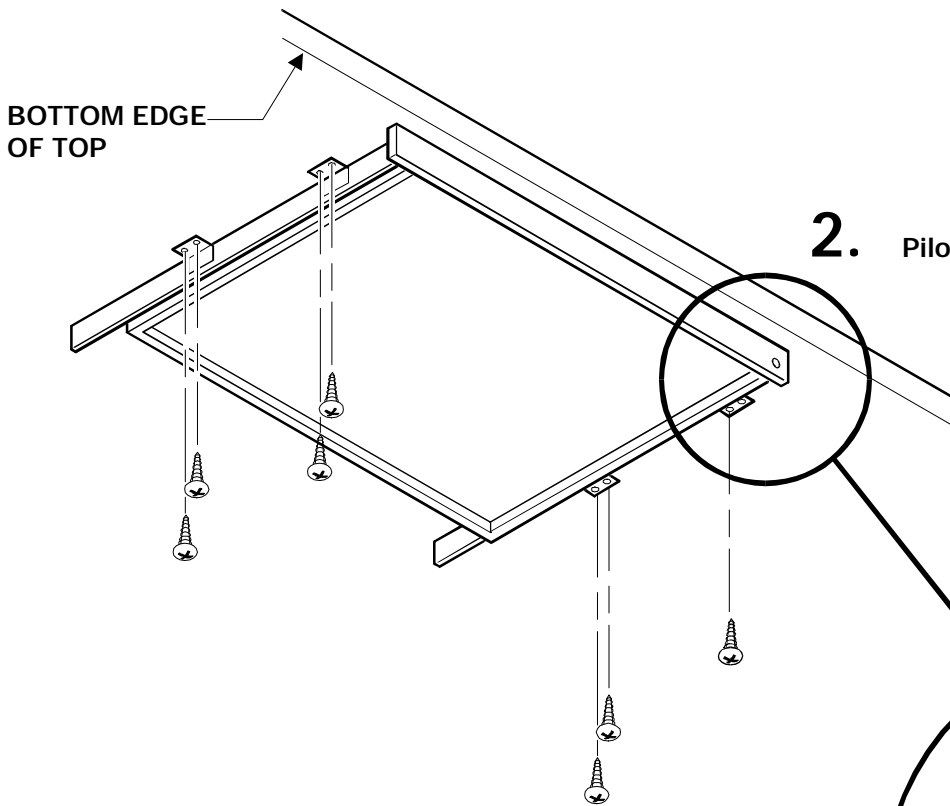
POWER DRIVER
W/ SQUARE OR
PHILLIPS TIP



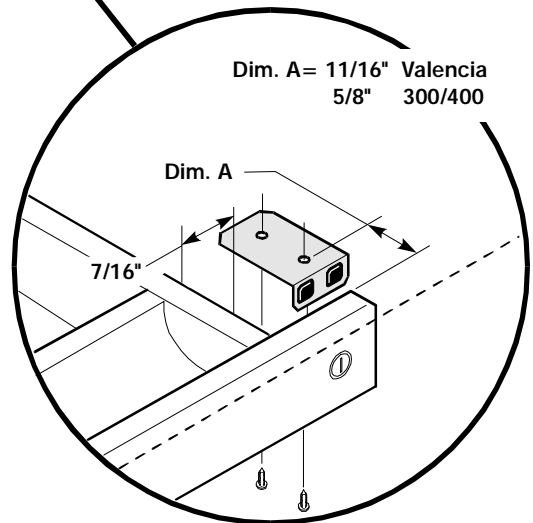
1/8" DRILL BIT



1. Position center drawer in center of kneewell (or desired location). Drill 1/8" pilot hole for first screw (x)" back from edge of top (see illustration).



2. Pilot drill and install remaining (7) screws.



3. Locate lock catch as shown. Install with (2) 5/8" screws.