

# Open Workstation Installation

Translations™

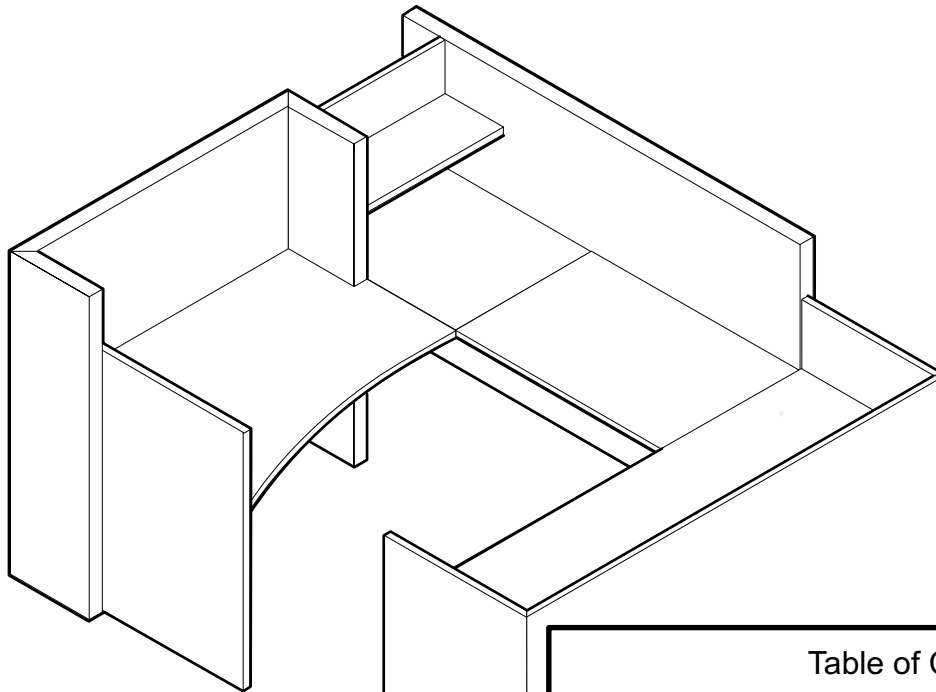
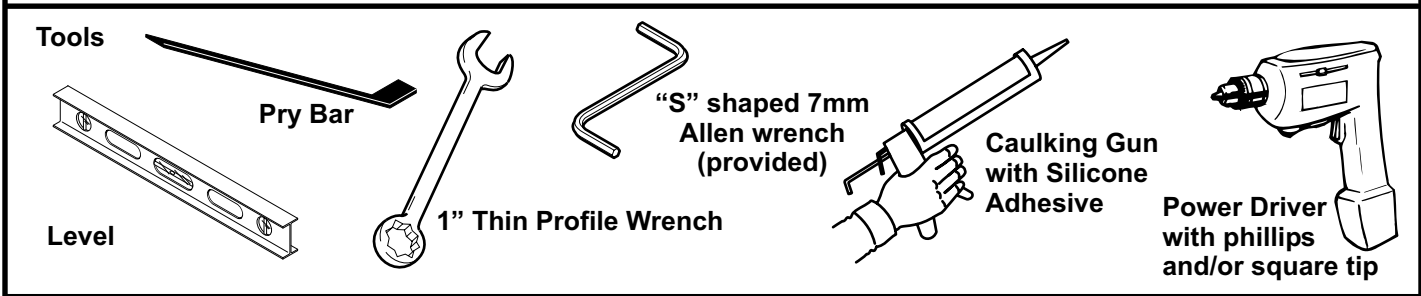
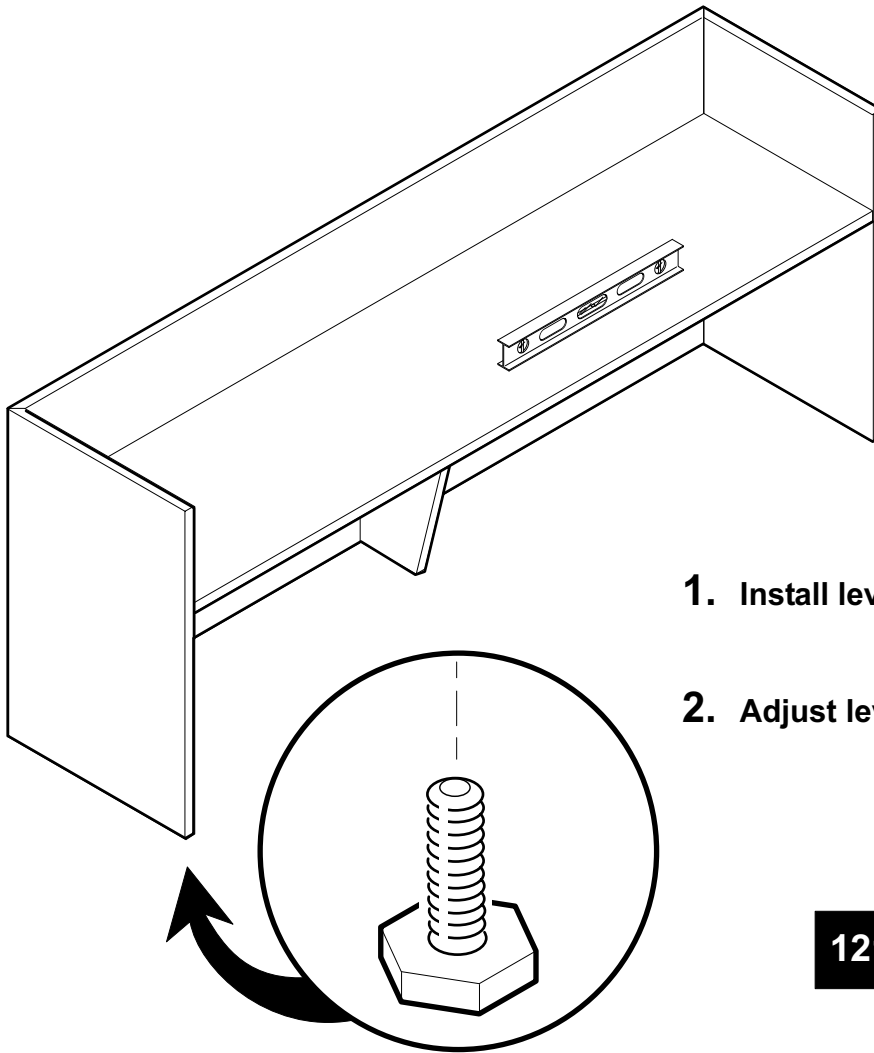


Table of Contents	
Open Office Back Unit . . . . .	page 2
121" Open Office Back Unit. . . . .	page 2
Open Office Workstation . . . . .	page 3
Intermediate and/or Corner Units . . . . .	page 4
Partition Walls . . . . .	page 8
Return Installation . . . . .	page 9
Bridge Installation. . . . .	page 10
Back Unit Installation . . . . .	page 10
Transaction Top Installation. . . . .	page 11

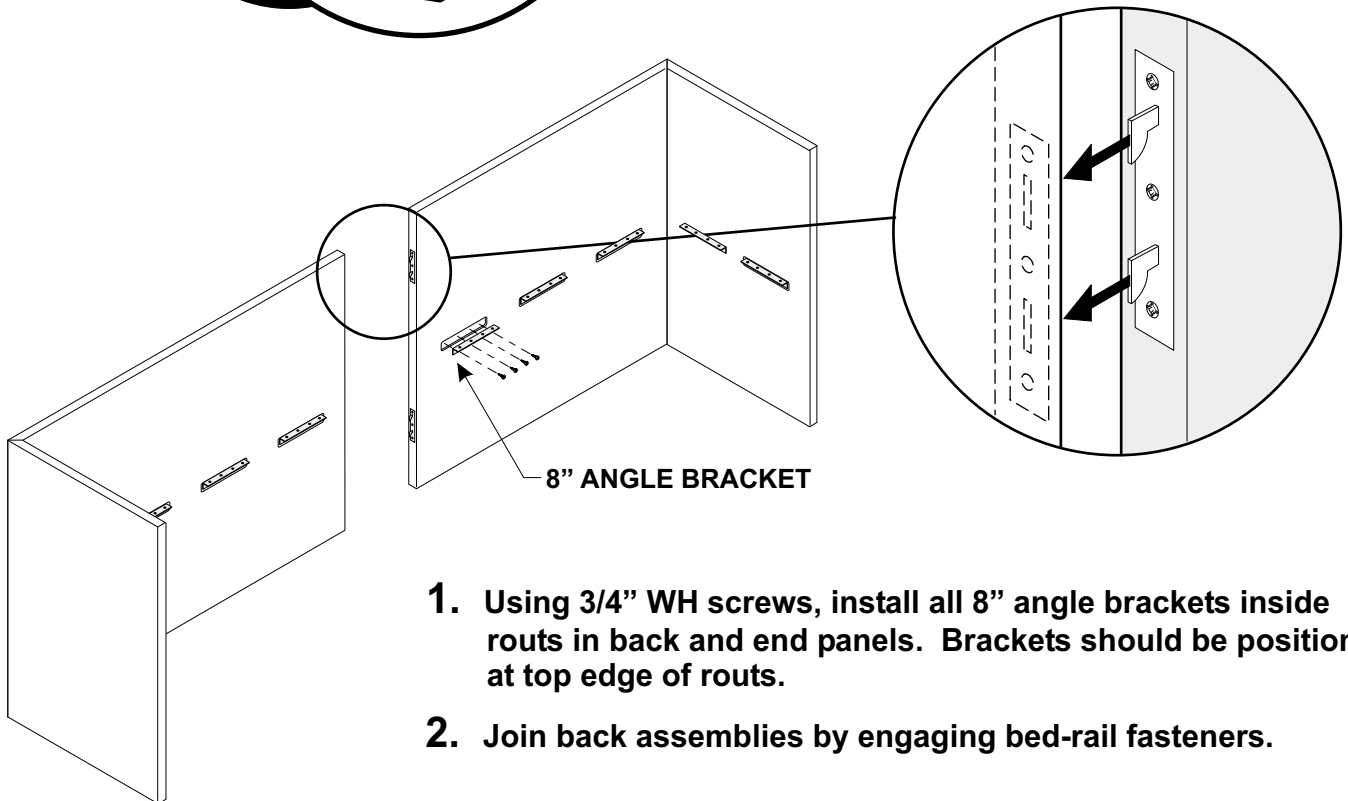


## OPEN OFFICE BACK UNIT

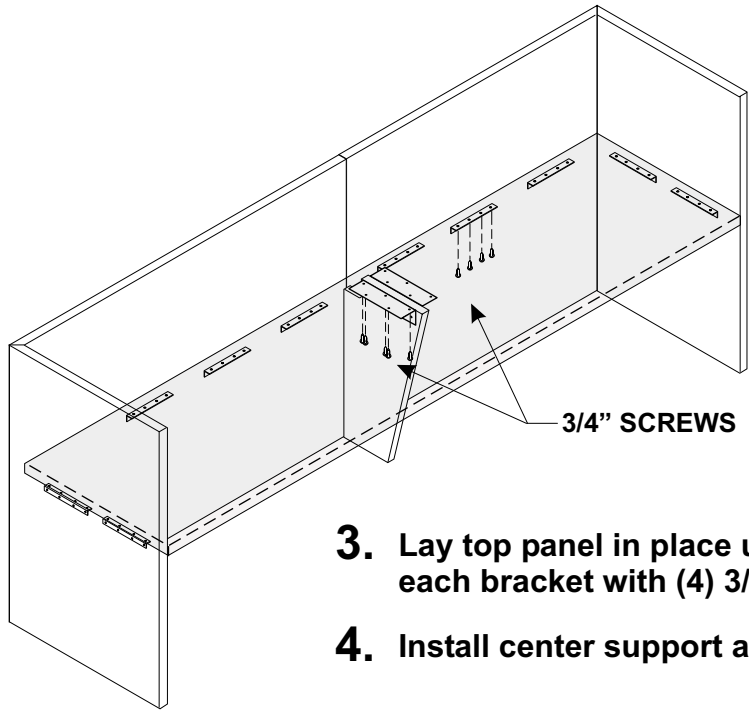


1. Install levelers and screw all the way in.
2. Adjust levelers as necessary to level unit.

## 121" OPEN OFFICE BACK UNIT



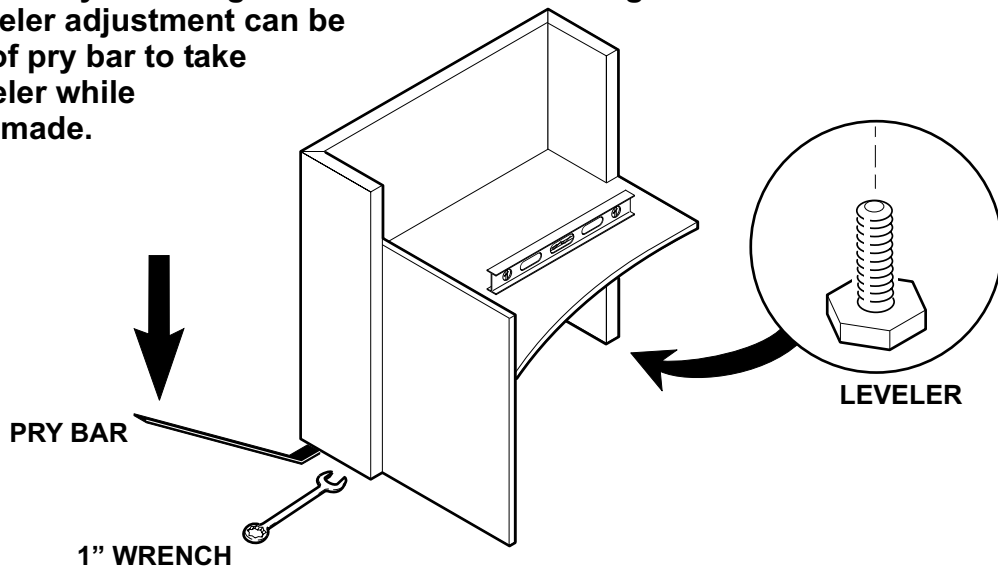
1. Using 3/4" WH screws, install all 8" angle brackets inside routs in back and end panels. Brackets should be positioned at top edge of routs.
2. Join back assemblies by engaging bed-rail fasteners.



3. Lay top panel in place upon angle brackets and secure each bracket with (4) 3/4" screws.
4. Install center support as shown.

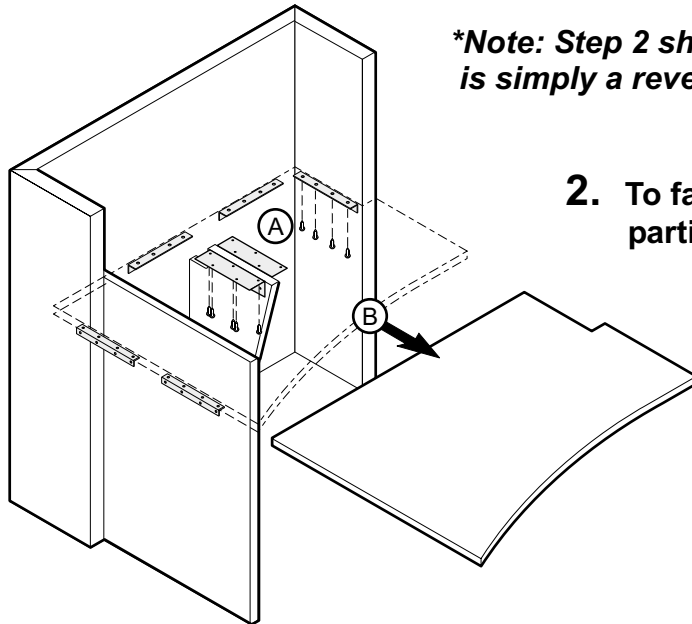
## OPEN-OFFICE WORKSTATION TYPICAL INSTALLATION

1. Begin installation by installing levelers and then leveling End Unit. Leveler adjustment can be aided by use of pry bar to take weight off leveler while adjustment is made.

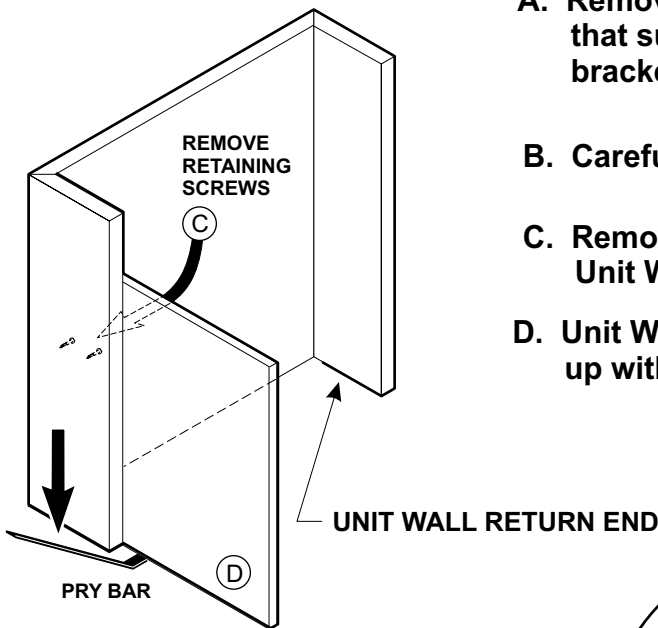


# OPEN-OFFICE WORKSTATION TYPICAL INSTALLATION (continued)

*\*Note: Step 2 shows disassembly of end unit. Re-assembly is simply a reversal of the following steps.*



**2.** To facilitate handling, End Unit may be partially disassembled.

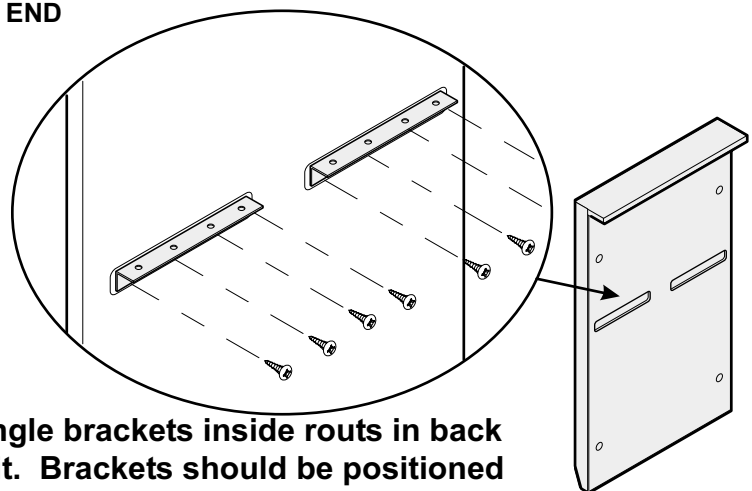


**A.** Remove all 3/4" screws from angle brackets that support worksurface. Leave angle brackets attached to ends, back, etc.

**B.** Carefully slide worktop out from end panels.

**C.** Remove two retaining screws from inside of Unit Wall Return End.

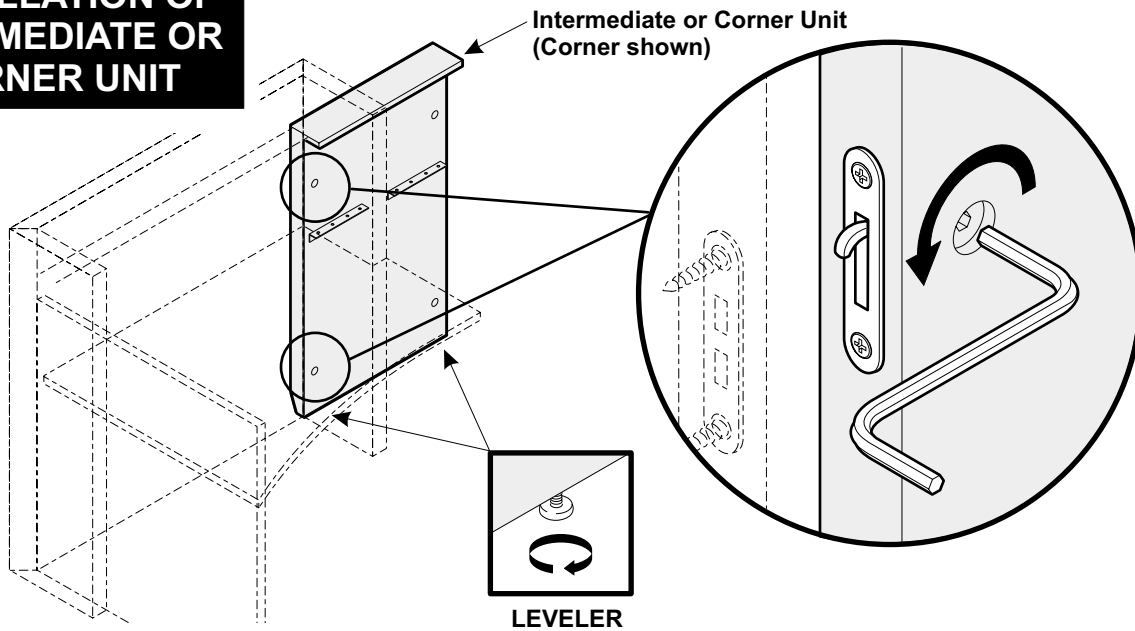
**D.** Unit Wall Return End can now be removed by lifting up with pry bar to separate Modeez fasteners.



## INSTALLATION OF INTERMEDIATE OR CORNER UNIT

**3.** Using 3/4" WH screws, install 8" angle brackets inside routs in back panel of intermediate or corner unit. Brackets should be positioned at top edge of routs.

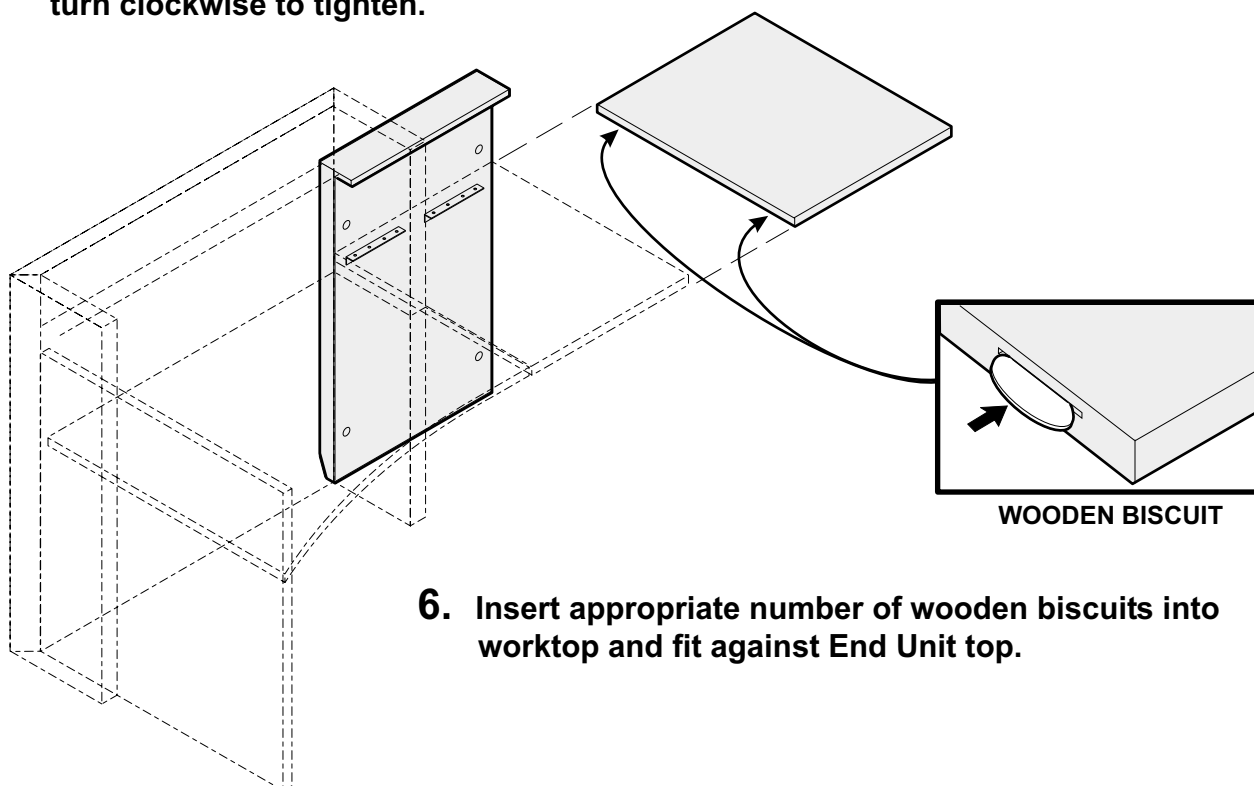
## INSTALLATION OF INTERMEDIATE OR CORNER UNIT



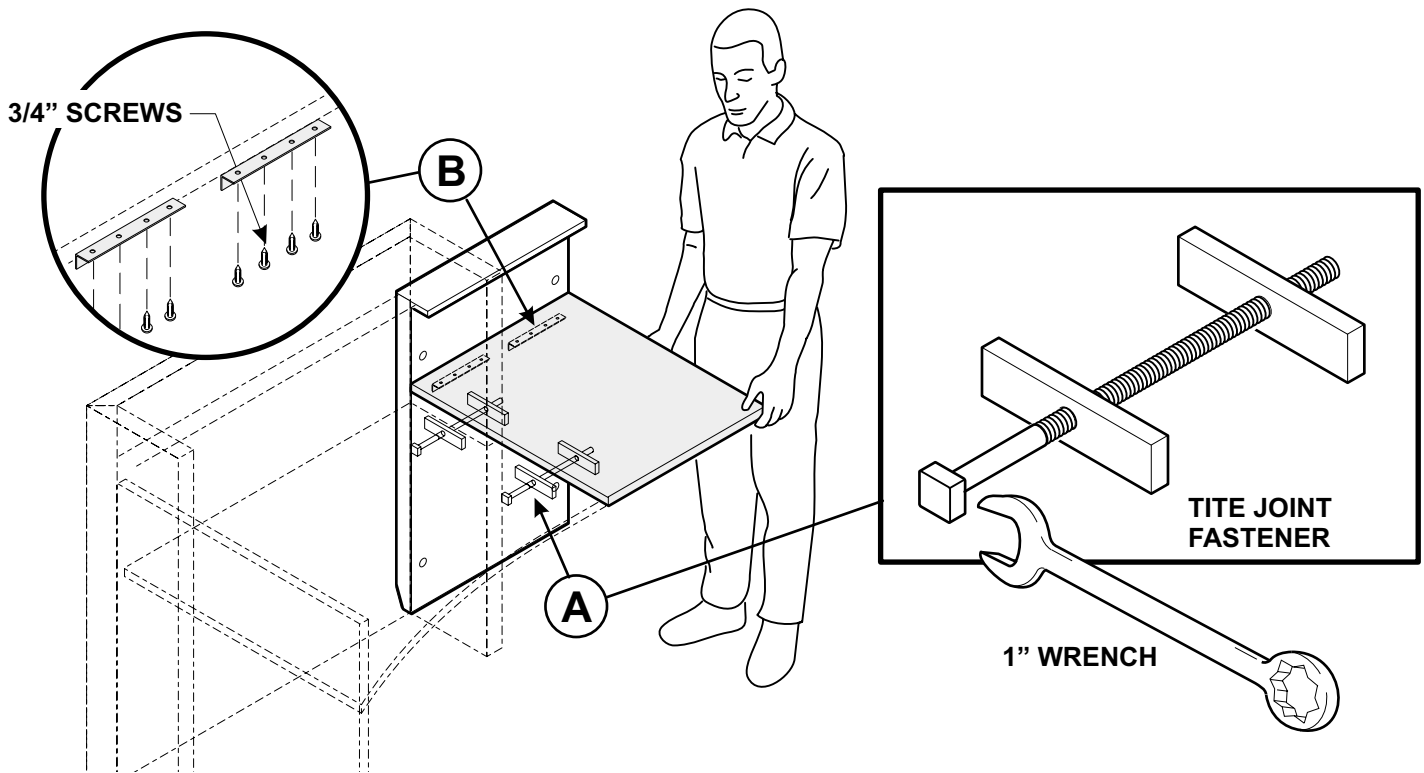
- Slide Intermediate or Corner Unit's back panel against End Unit so that edges are flush and wall caps are level with each other. Adjustment of levelers will aid alignment.

*\*Caution: Do not rely on Gyro fasteners to pull components together. Initial positioning must be done by hand and with aid of levelers.*

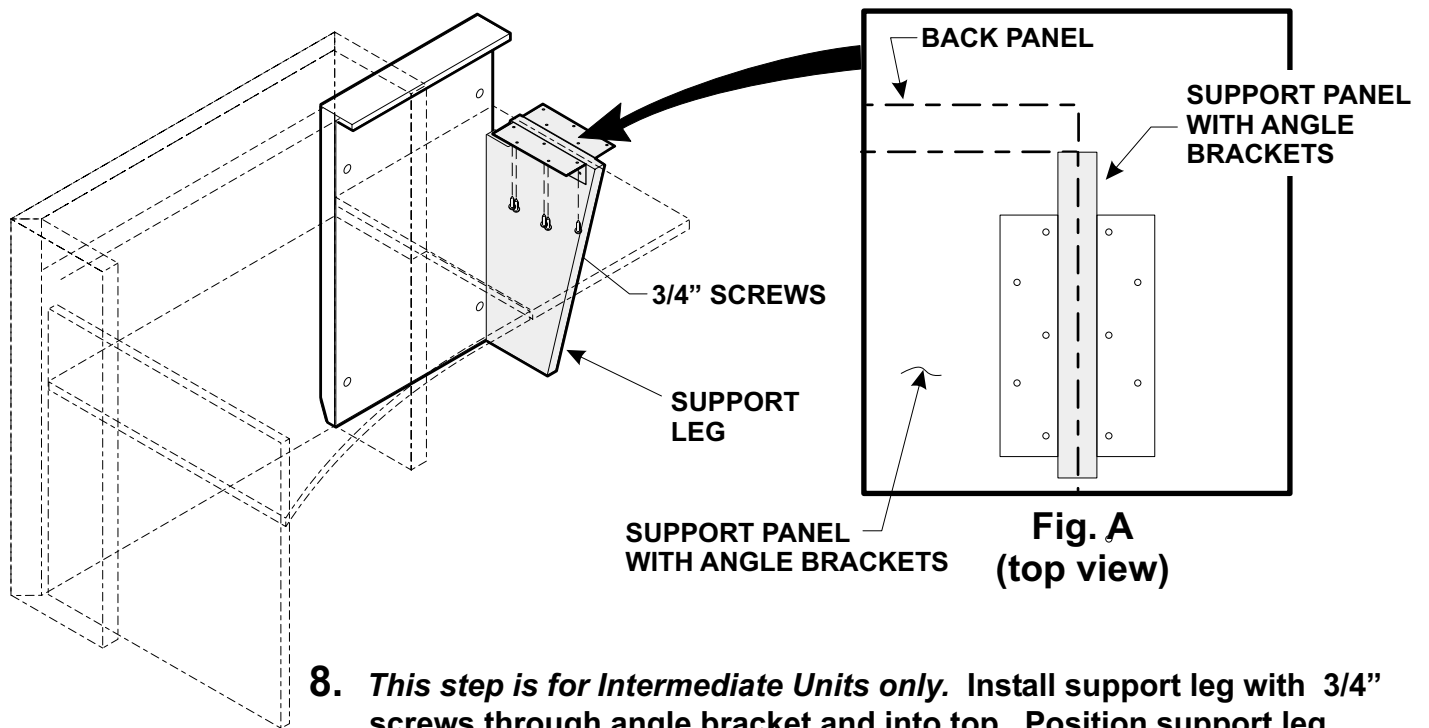
- Once panels are aligned, use 7mm Allen wrench to turn both Gyro fasteners counter clockwise to lock. When Gyro fasteners are located on right side, turn clockwise to tighten.



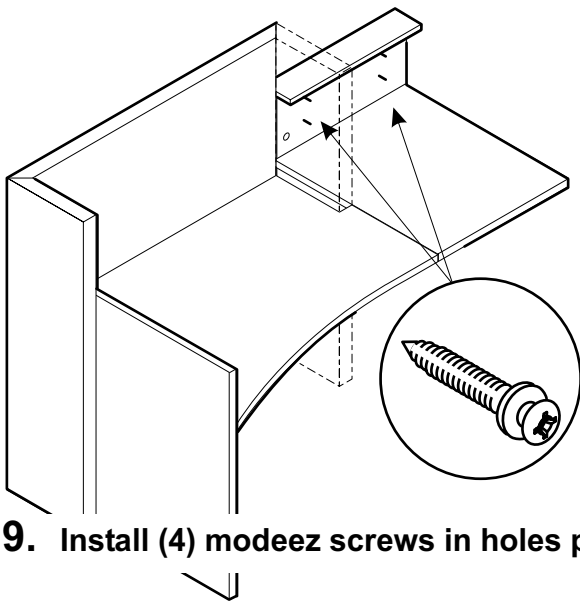
- Insert appropriate number of wooden biscuits into worktop and fit against End Unit top.



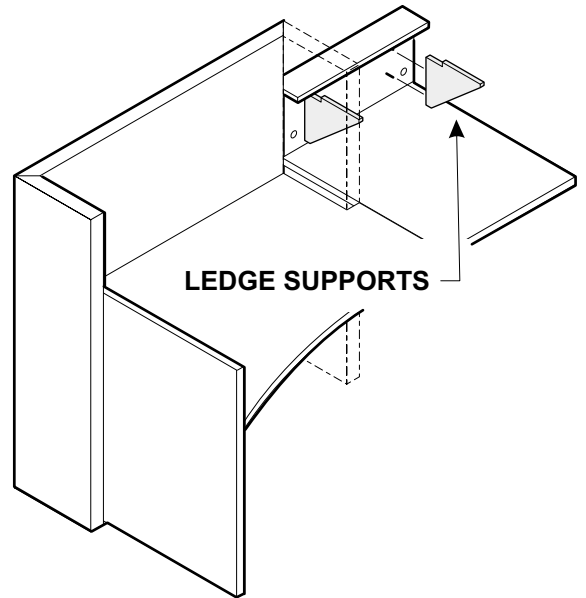
- 7.** Hold top snug against End Unit top and back panel and secure with Tite-Joint fasteners (A). When top is properly aligned and fit tightly against back panel and adjacent top, install (4) 3/4" screws through each angle bracket and into top (B).



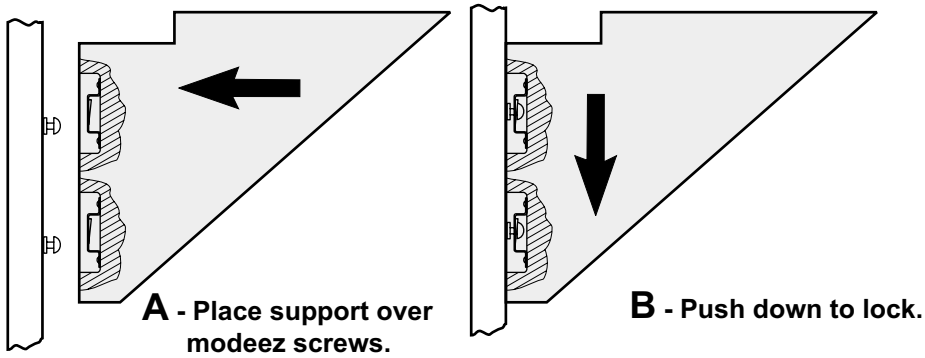
- 8.** *This step is for Intermediate Units only.* Install support leg with 3/4" screws through angle bracket and into top. Position support leg tightly against back panel and aligned with top as shown in Fig. A.



9. Install (4) modeez screws in holes provided.

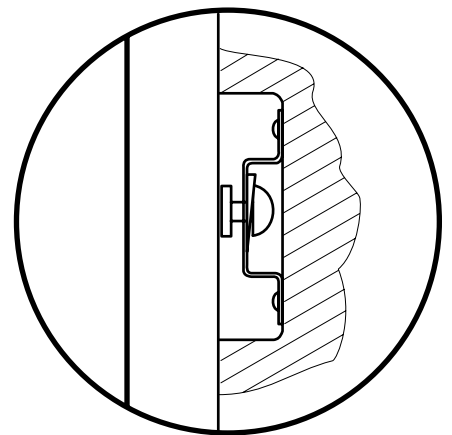


LEDGE SUPPORTS



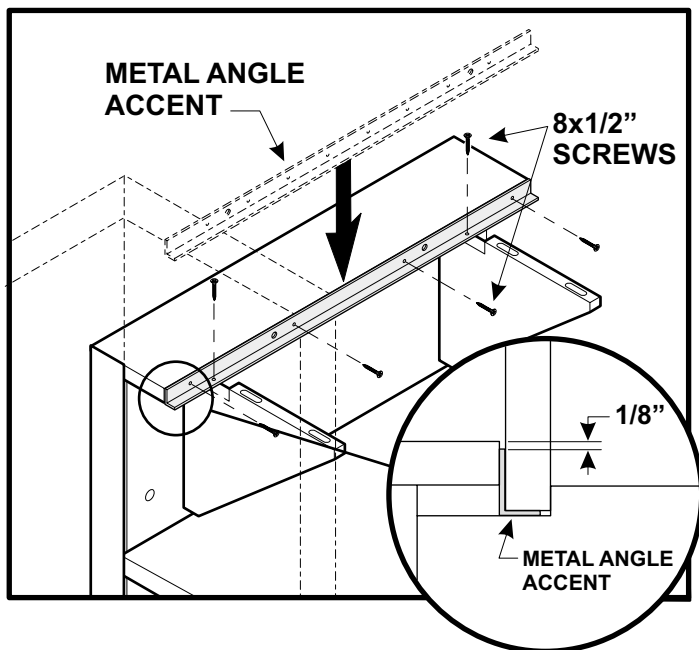
A - Place support over modeez screws.

B - Push down to lock.

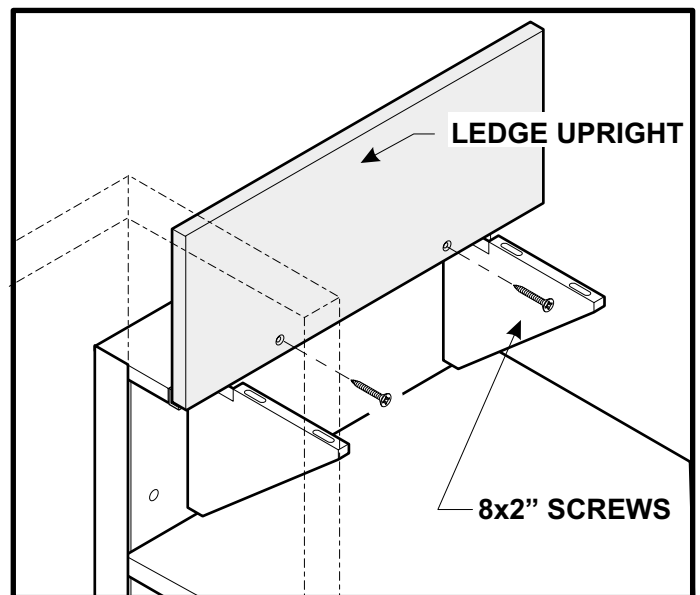


Modeez fastener shown in locked position.

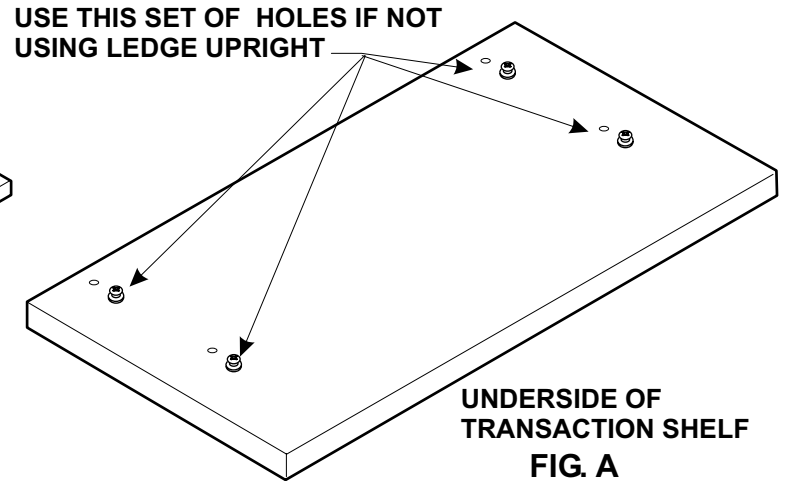
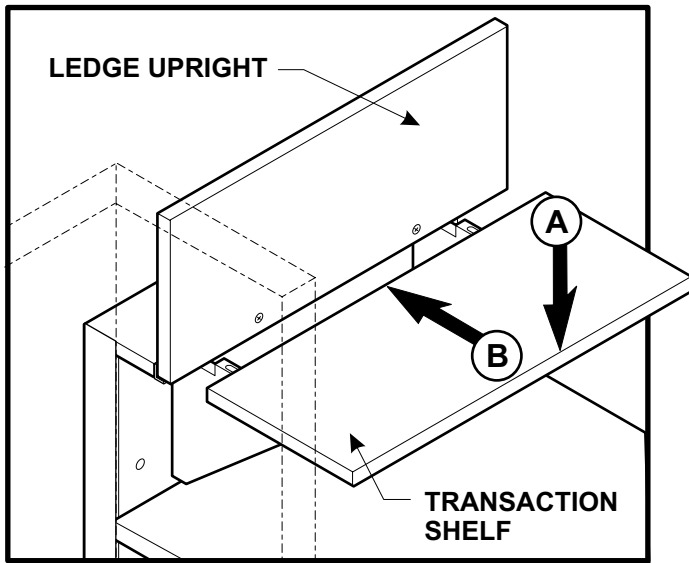
10. Install ledge supports as shown above.



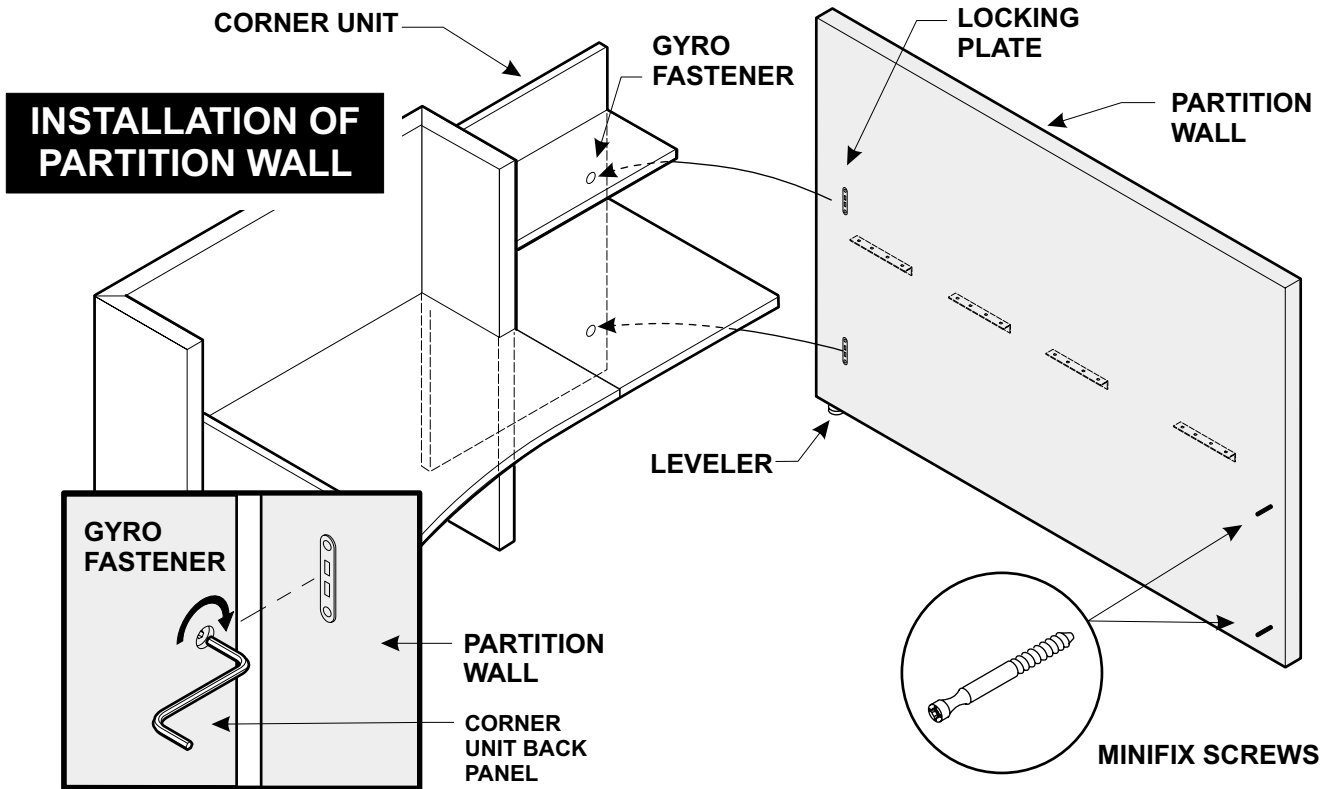
11. Install metal angle accent as shown.



12. Install ledge upright as shown.



13. Set transaction shelf on ledge supports (A) so that its modeez screws align with modeez clips, then tap or push forward to lock (B).
14. To set up transaction shelf for use *without* ledge upright, remove four modeez screws from underside of transaction shelf and reinstall in extra set of holes provided (FIG. A). Then reattach shelf as described above.

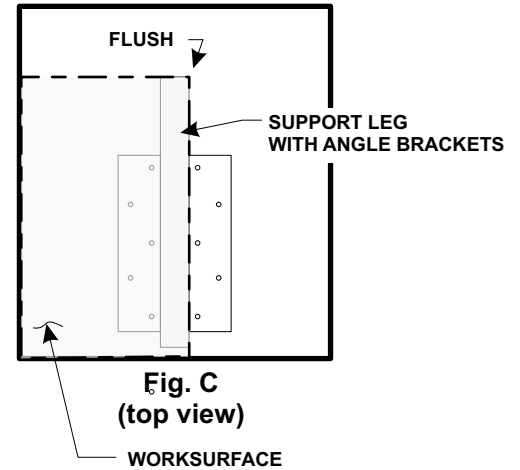
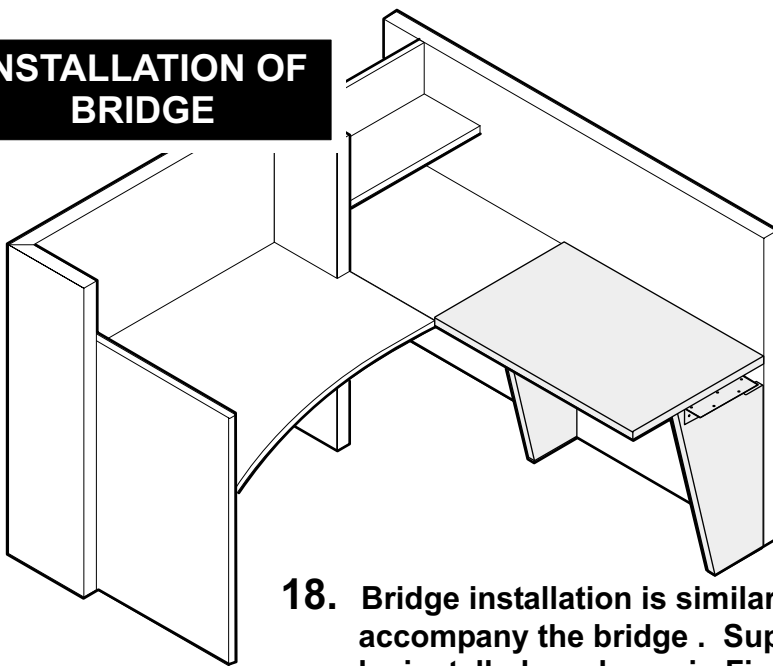


15. Screw levelers in Partition Wall all the way in. Now position Partition Wall against Corner Unit so that Gyro fasteners align with locking plates. Levelers may need to be adjusted to aid alignment. Turn Gyros clockwise to lock. If installing return, install minifix screws in partition wall, as shown.



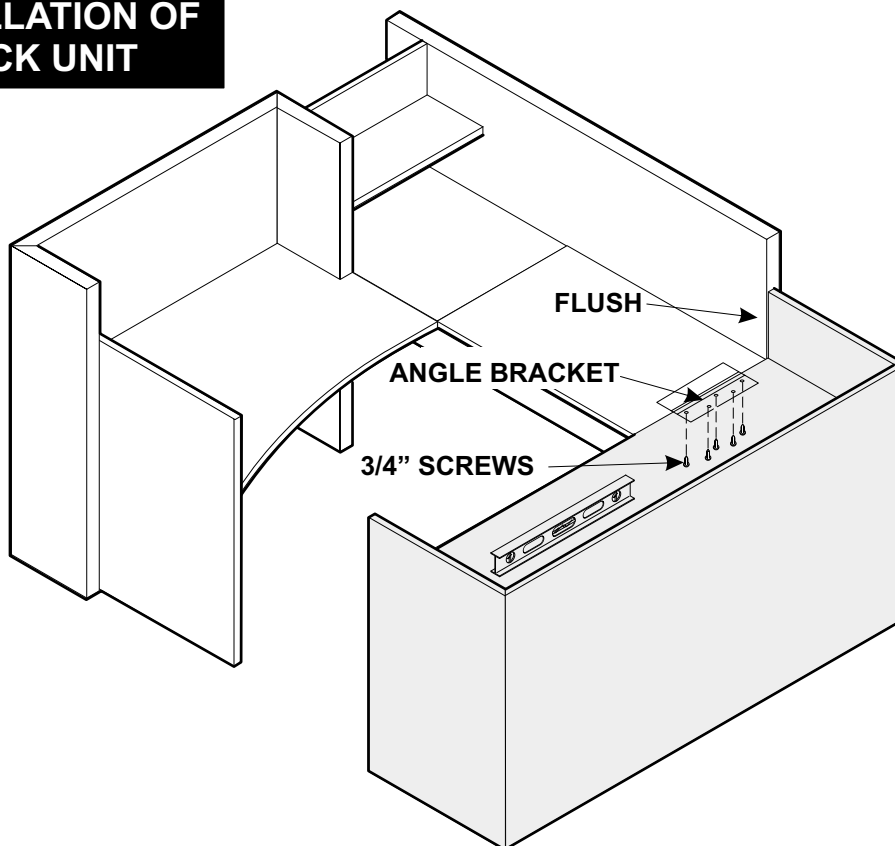


## INSTALLATION OF BRIDGE



18. Bridge installation is similar to a Return, except that a Back Unit must accompany the bridge. Support Leg attaching to Corner Unit must be installed as shown in Fig. B, Step 16. Support Leg attaching to Back Unit must be installed as shown in Fig. C above.

## INSTALLATION OF BACK UNIT

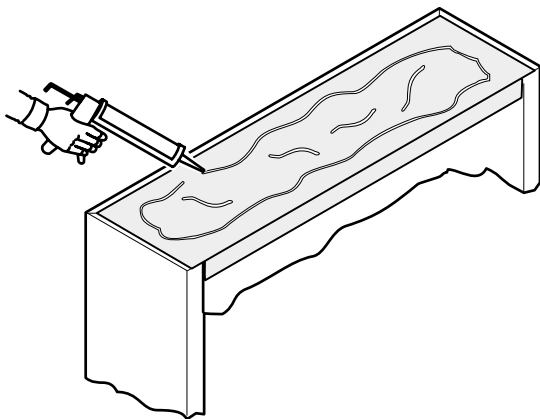
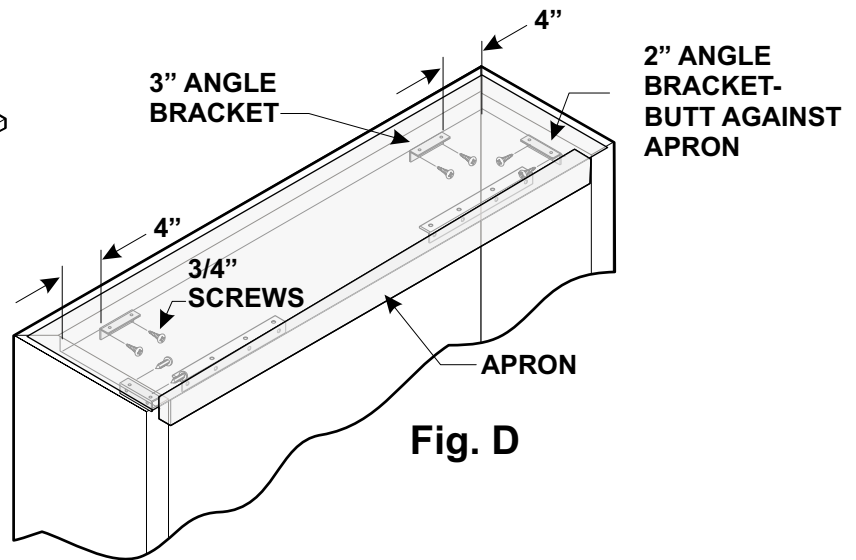
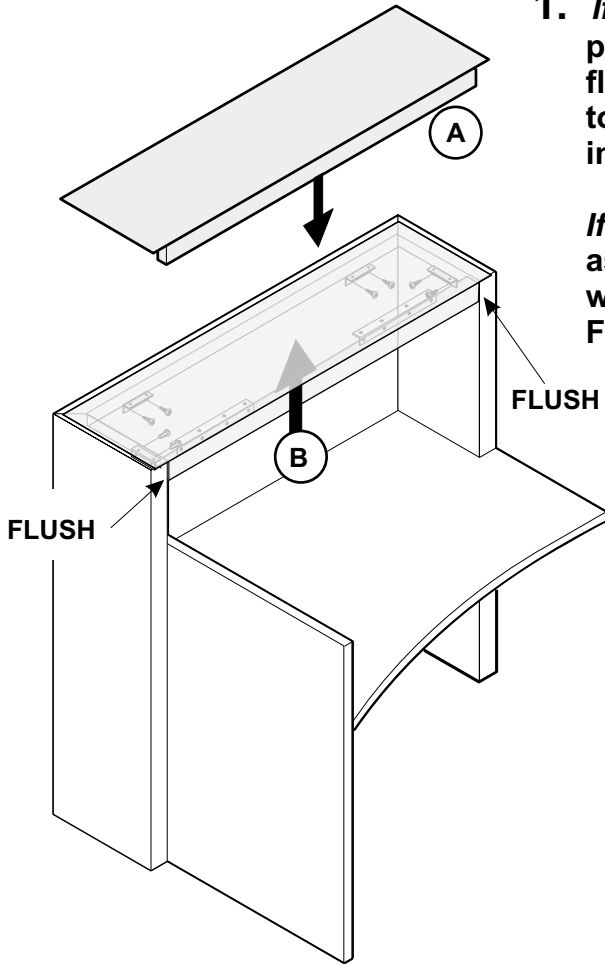


19. Screw the Back Unit's levelers all the way in, then slide into position with bridge and Partition Wall. The Back Unit's inside edge should be flush with inner edge of the Partition Wall. Once aligned, install 3/4" screws through support leg angle bracket and into the worksurface of the Back Unit. Level Back Unit as necessary.

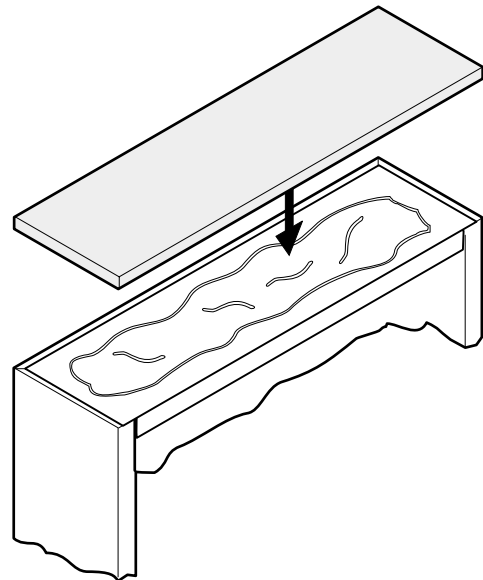
# TRANSACTION TOP INSTALLATION FOR END UNITS

1. *If installing stone top or customer-supplied top:* position subtop assembly (A) so that apron is flush with front edges of end panels. Be sure to support assembly (B) until angle brackets are installed (see Fig. D below).

*If installing wood transaction top assembly:* lower assembly onto end unit. Insure that apron is flush with edges and install angle brackets as shown in Fig. D below. Disregard steps 2 and 3.



2. Apply bead of silicone construction adhesive as shown above. Note: excessive amount of adhesive may cause uneven placement of top panel.



3. Carefully lower stone top panel onto subtop assembly and align edges so they are flush.