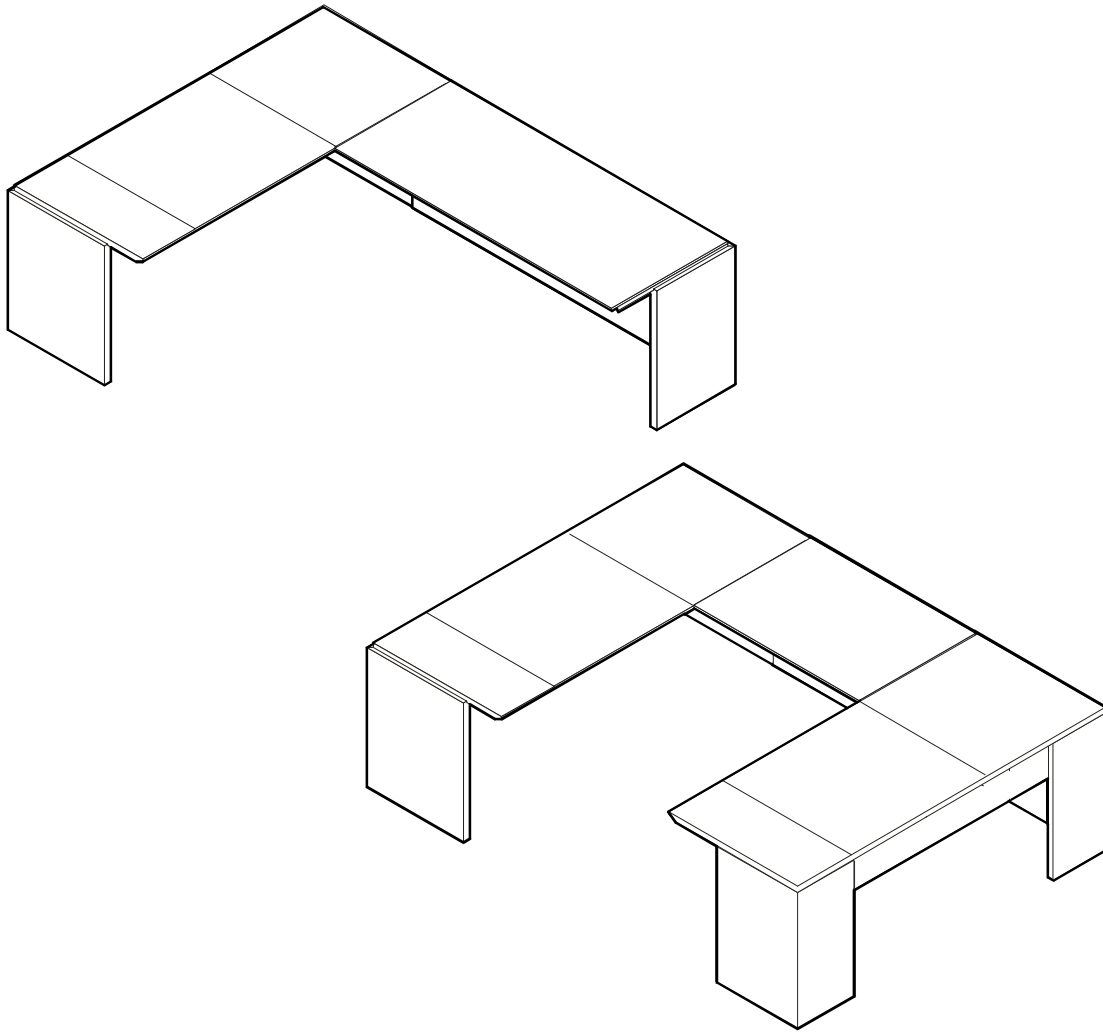
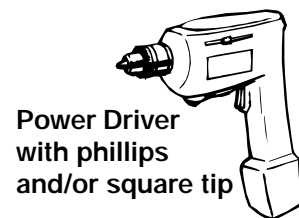
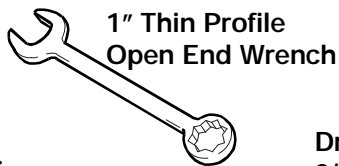
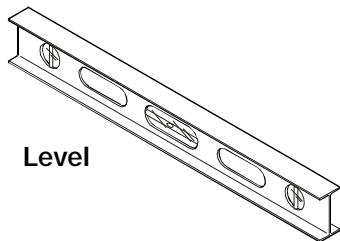


Return and Bridge Installation

Translations™

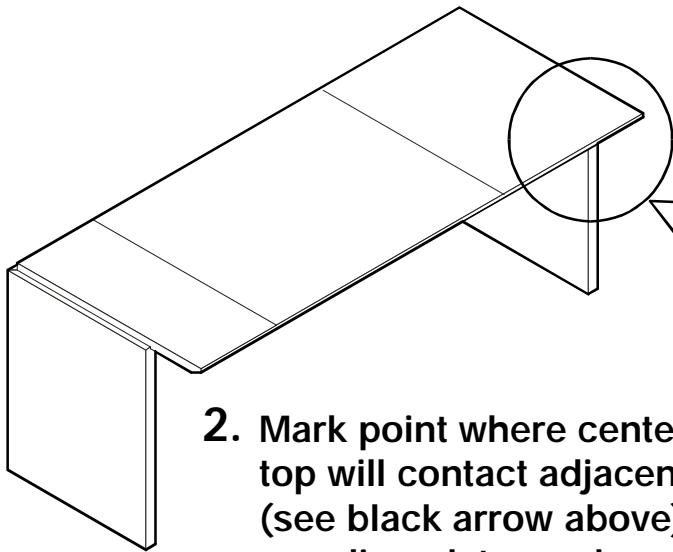
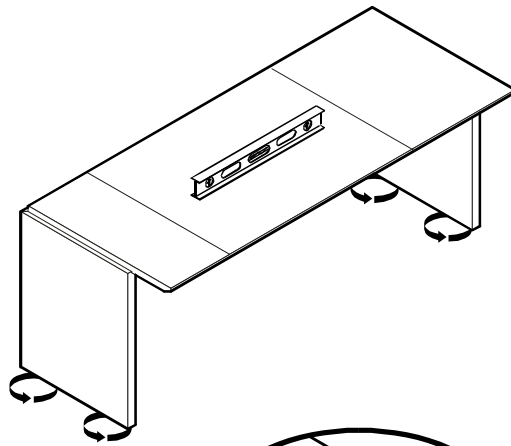


Tools

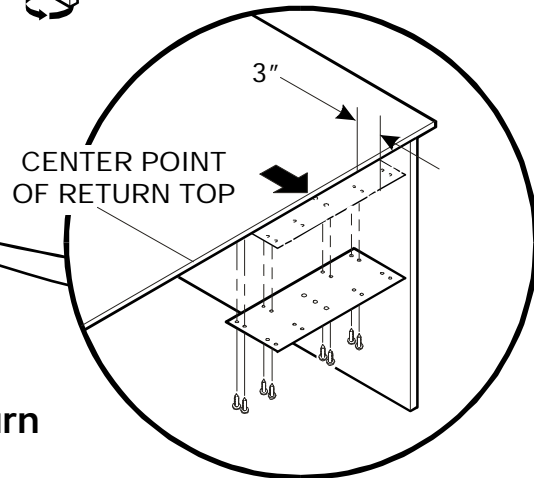


RETURN INSTALLATION

1. Level unit to which return will be attached.

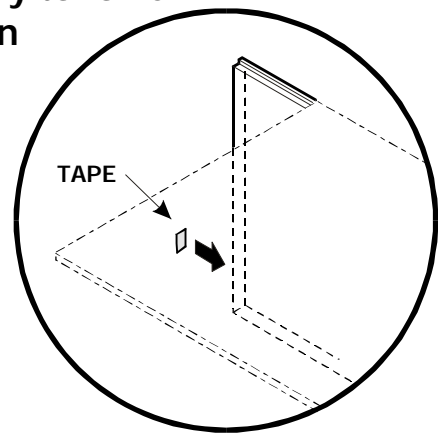
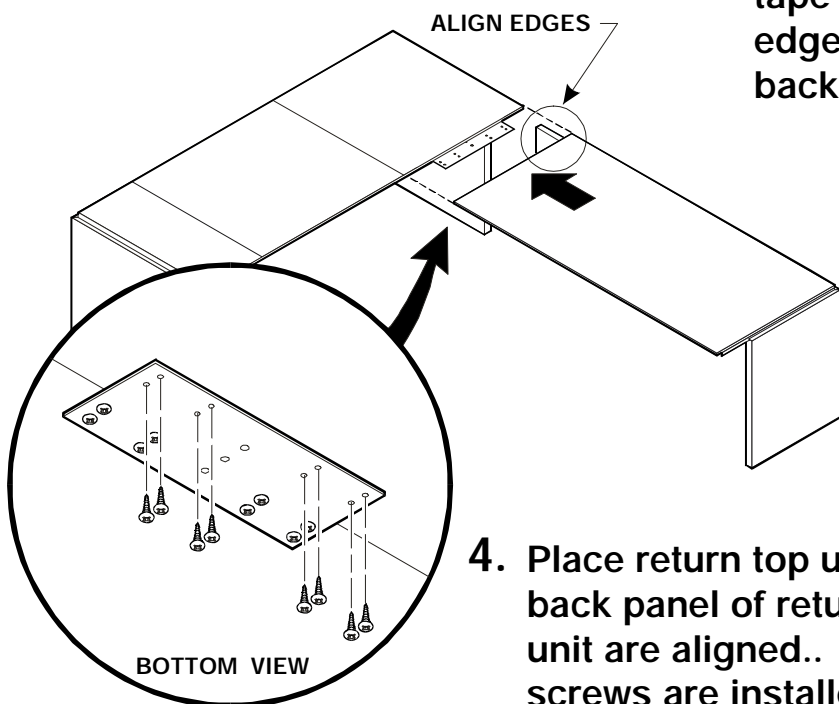


2. Mark point where center of return top will contact adjacent unit (see black arrow above). Install mending plate as shown with (8) #8 x 3/4" screws.

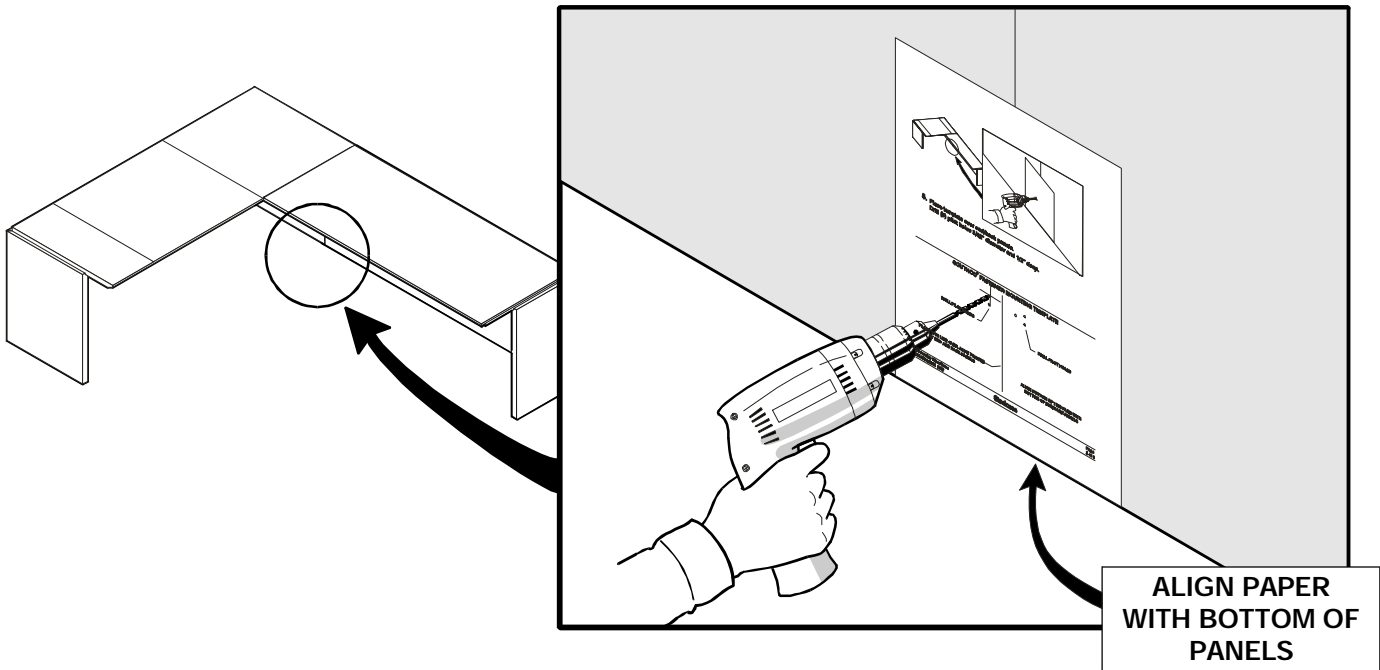


MENDING PLATE PLACEMENT FOR RETURNS

3. Remove backing from double-stick tape and apply to lower edge of return back panel.

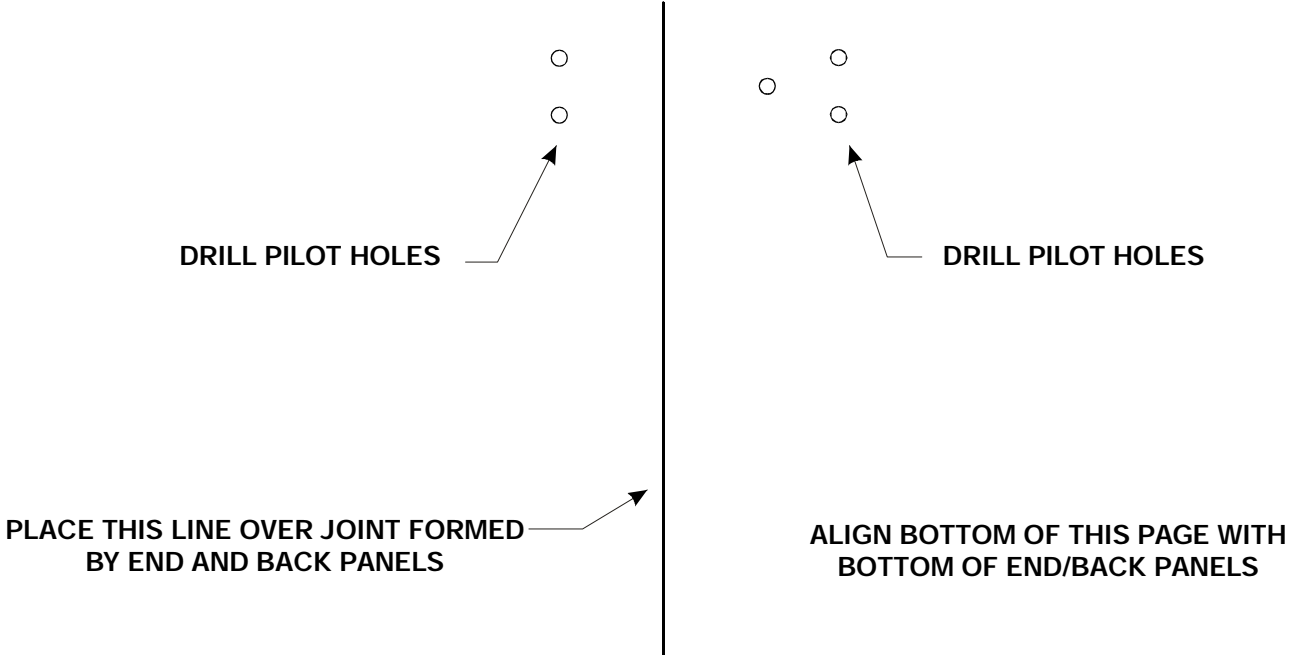


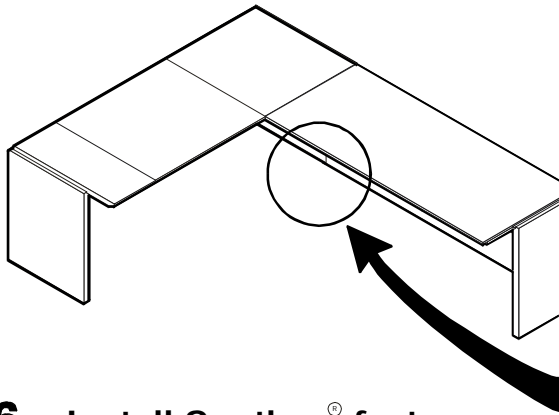
4. Place return top upon mending plate. Make sure back panel of return and end panel of adjacent unit are aligned.. Hold *tightly* in place as (8) #8 x 3/4" screws are installed.



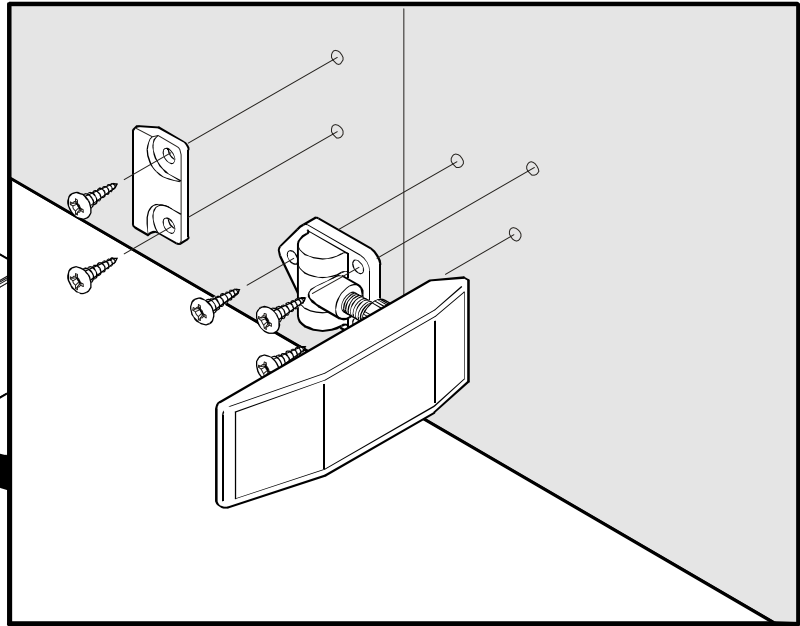
- Place template over end/modesty panels.
Drill (5) pilot holes 3/32" diameter and 1/2" deep.

SOUTHCO® FASTENER MOUNTING TEMPLATE

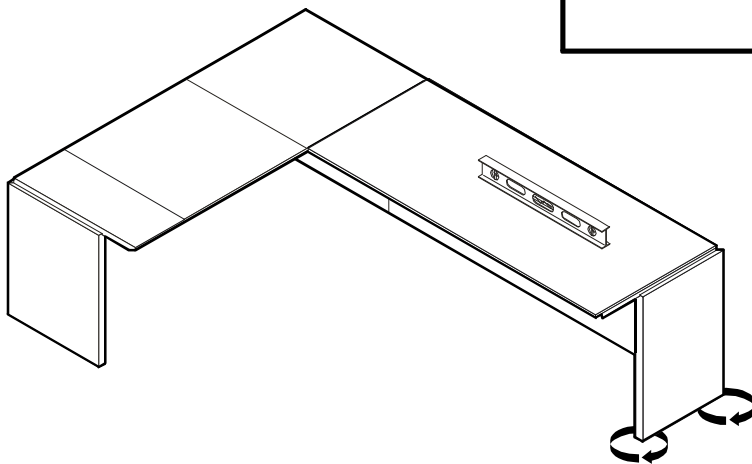
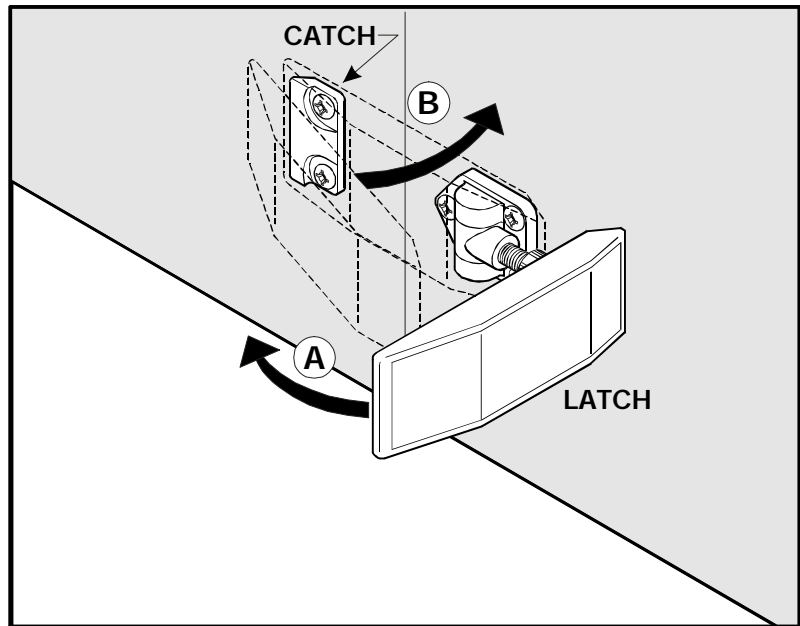




- 6.** Install Southco® fastener with (5) #8 x 5/8" screws.



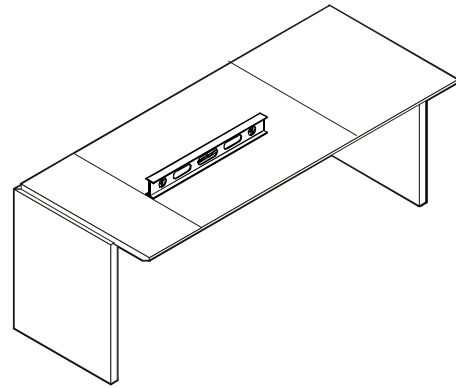
- 7.** Close fastener by first engaging catch (A) and then swinging latch inward (B) to lock.



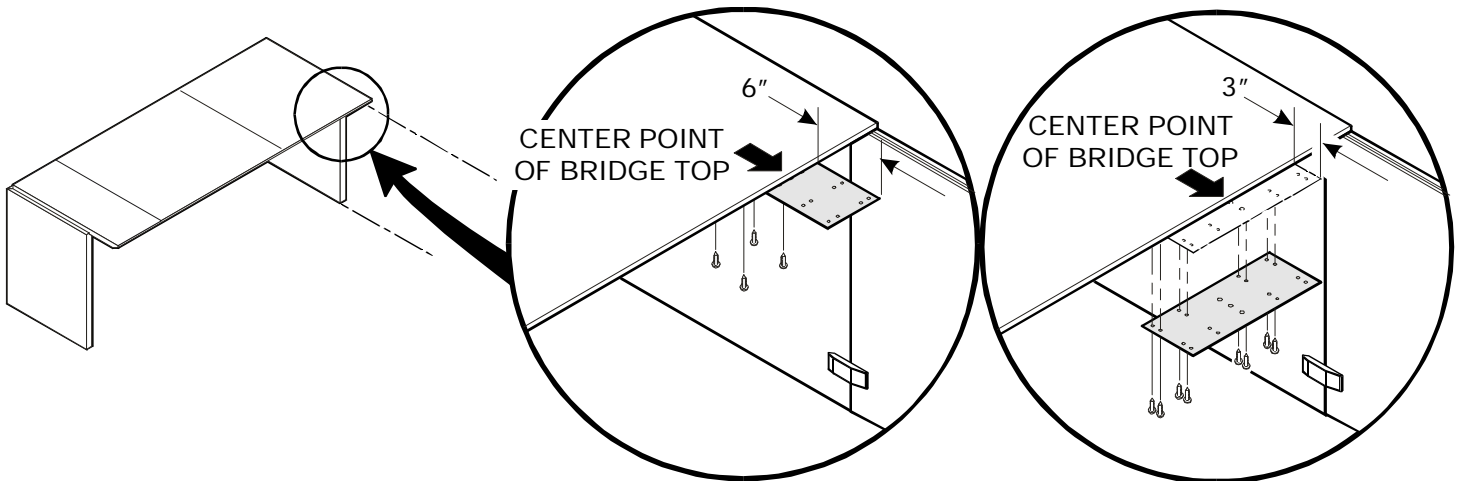
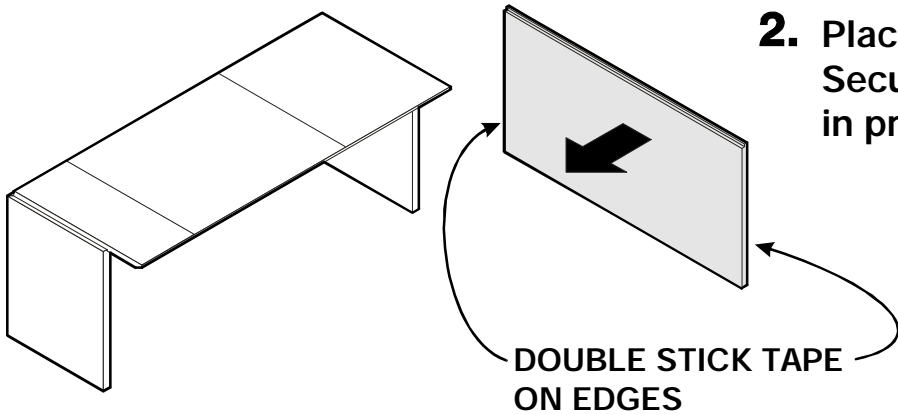
- 8.** Level return by adjusting levelers as needed.

BRIDGE INSTALLATION

1. Position and level one of the units to which bridge will be attached.



2. Place modesty panel in position. Secure by following steps 5 thru 7 in previous section.

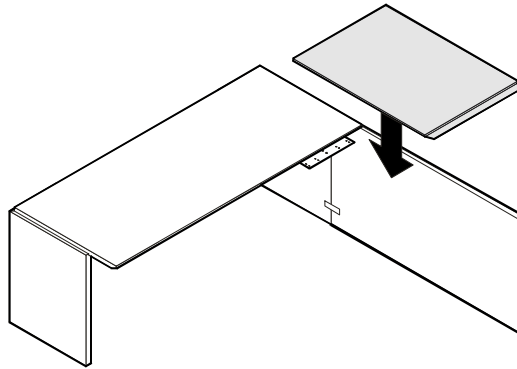


3. Mark point where center of bridge top will contact adjacent unit (see black arrow above). Install mending plates as shown using (8) #8 x 3/4" screws. Repeat for opposite unit.

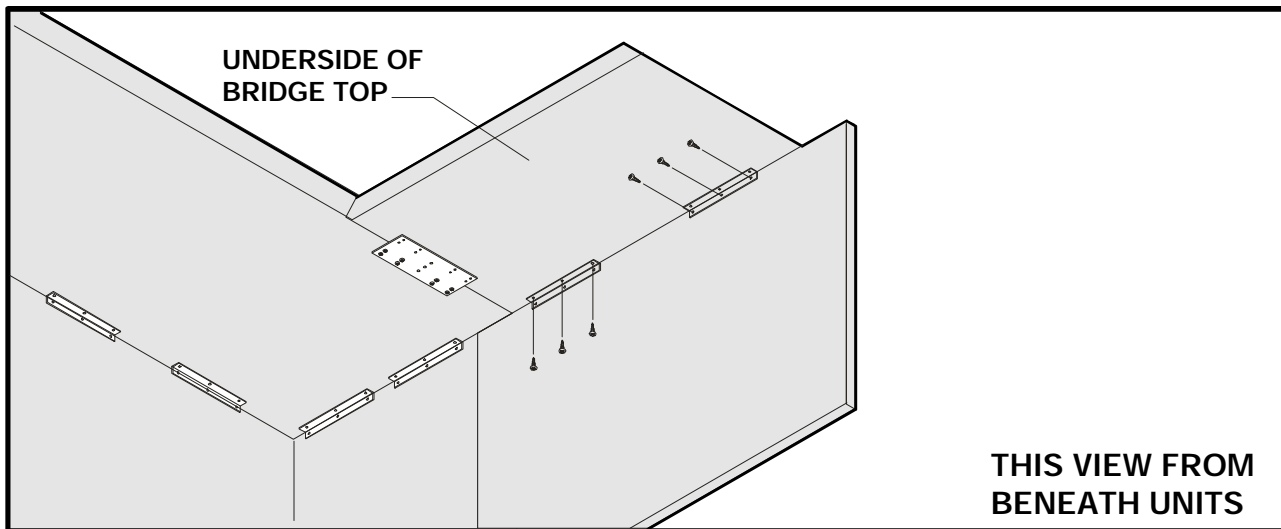
MENDING PLATE PLACEMENT
FOR 12" DEEP BRIDGES

MENDING PLATE PLACEMENT
FOR 27" DEEP BRIDGES

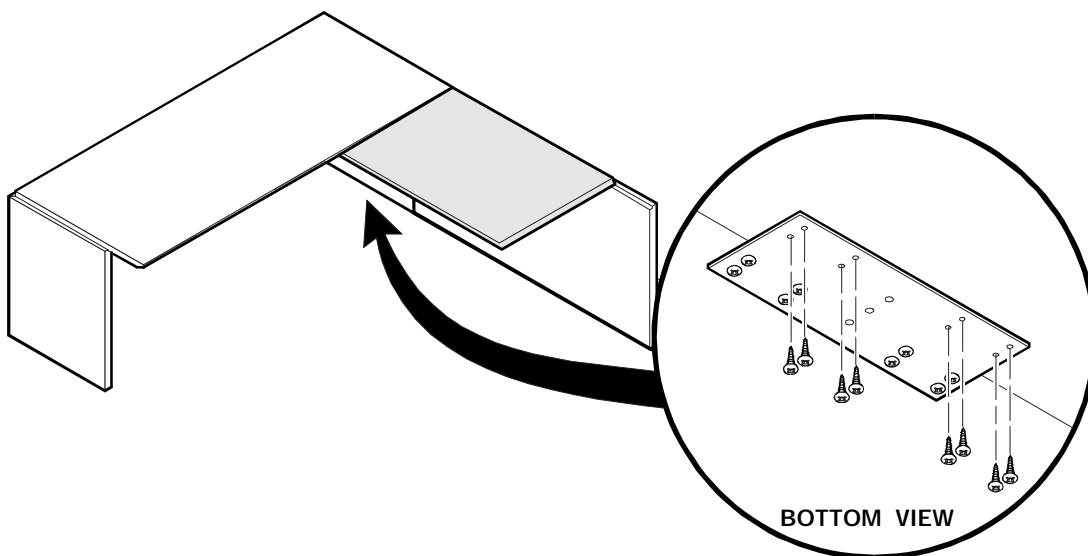
- 4.** Place top upon mending plate and align with modesty panel and top panel of adjacent unit.



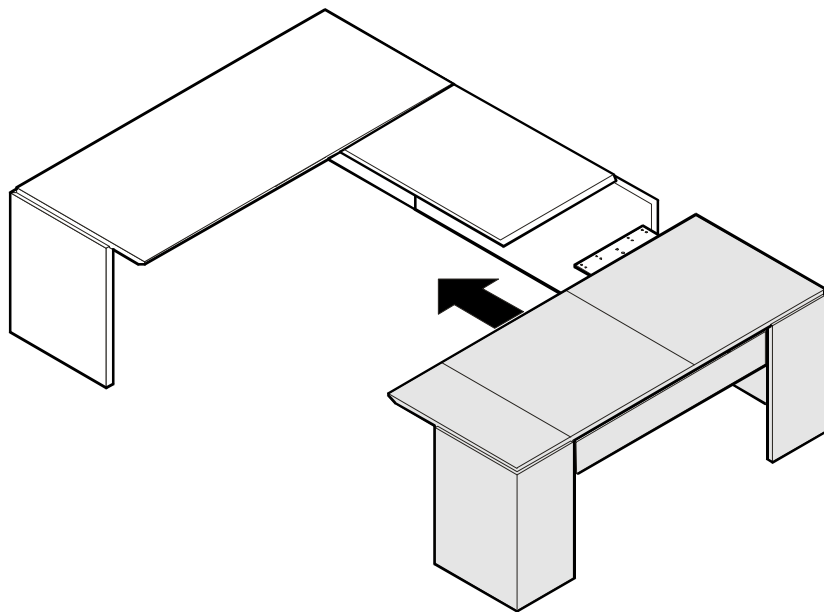
**Note: 27" bridge shown for reference. Procedure is same for 12" deep top except for mending plate position.*



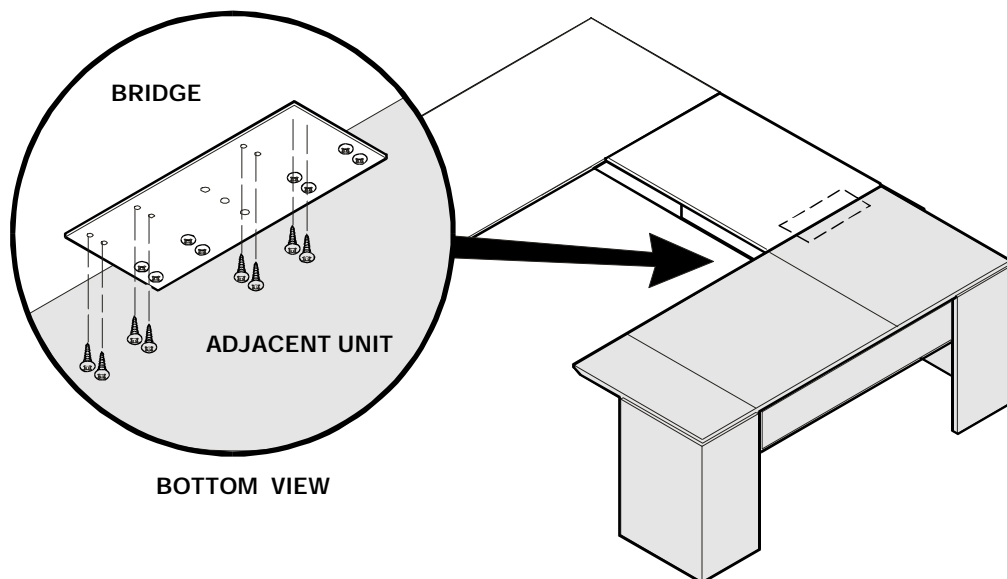
- 5.** Insure that all components fit together snugly, then attach bridge top to modesty with (2) 8" angle brackets and (12) #8 x 3/4" screws.



- 6.** Secure mending plate to bridge top with (8) #8 x 3/4" screws.



- 7.** Slide remaining unit into position with bridge/modesty assembly. Follow steps 5 thru 7 from previous section to install Southco® Fastener to modesty and end panels.



- 8.** Install remaining (8) #8 x 3/4" screws through mending plate and into bridge top.