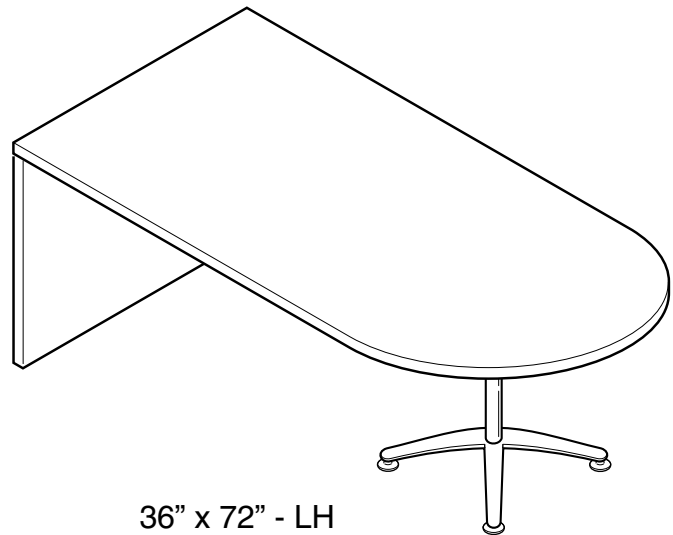
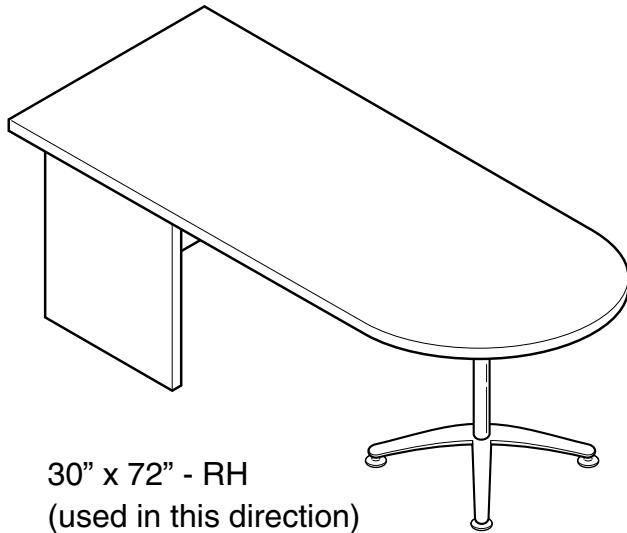
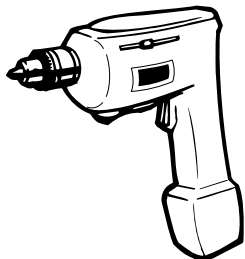


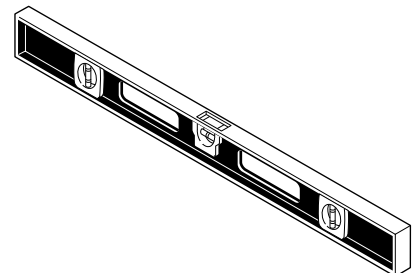
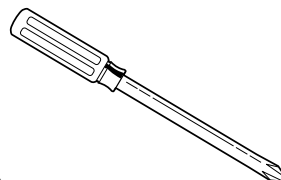
IMPACT - Bullet Shaped Desk with End Panel



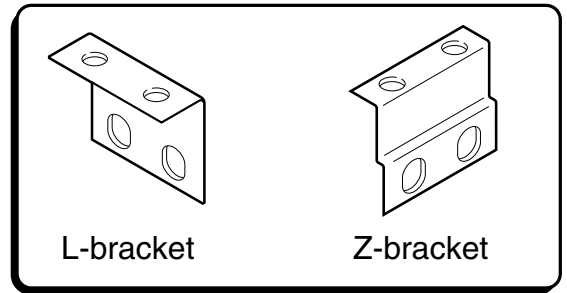
Tools



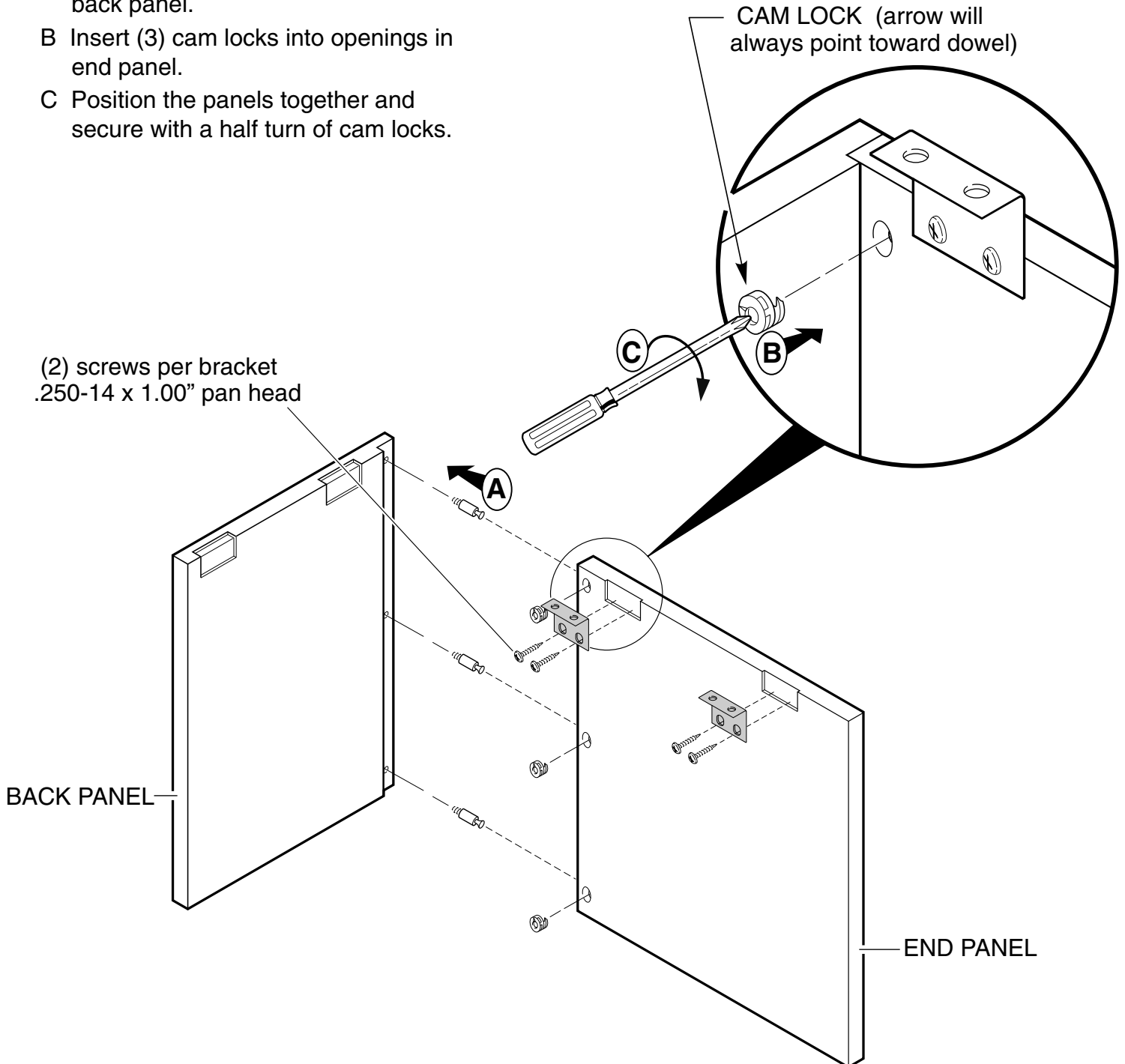
1/8"
(3.1 mm)



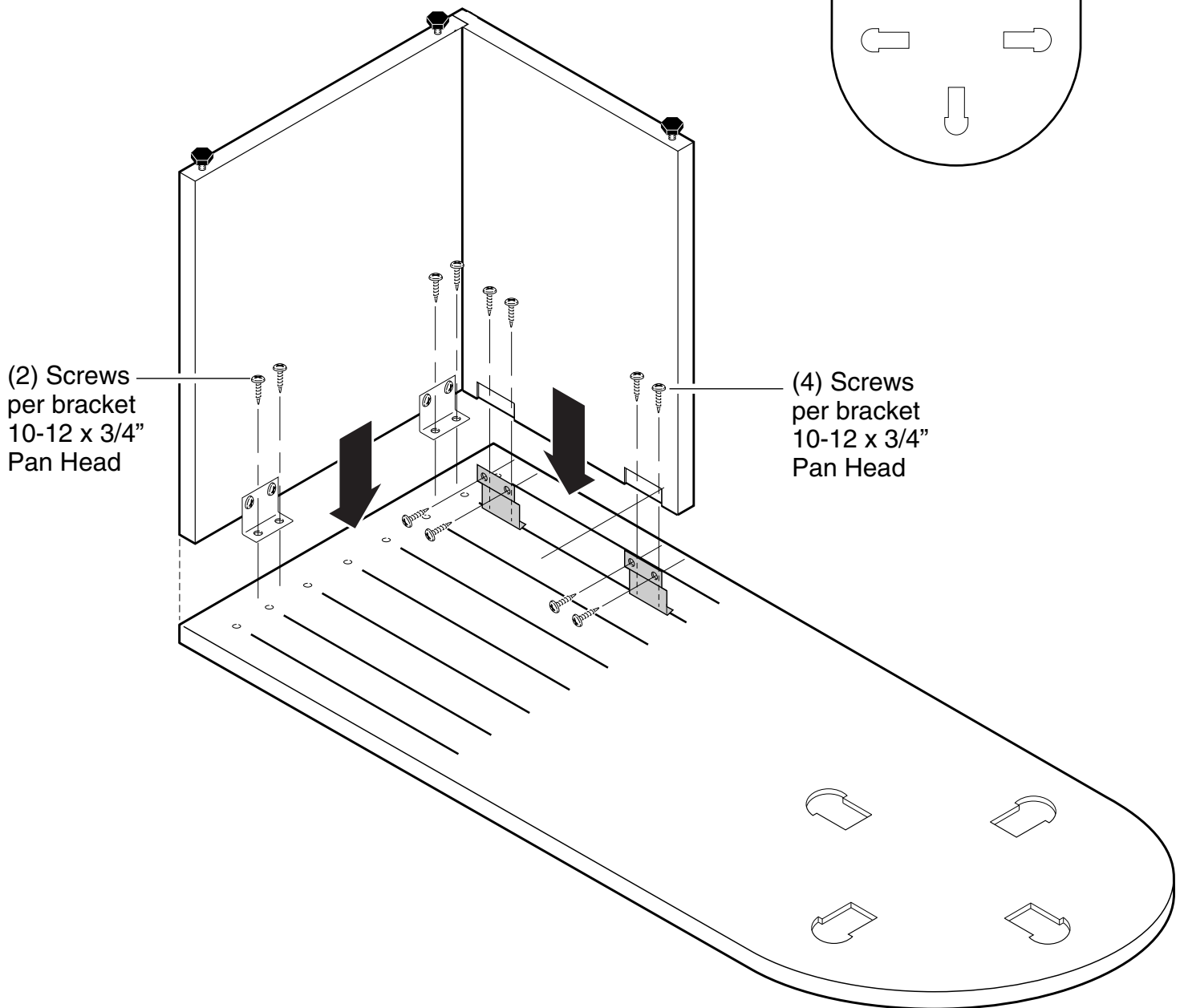
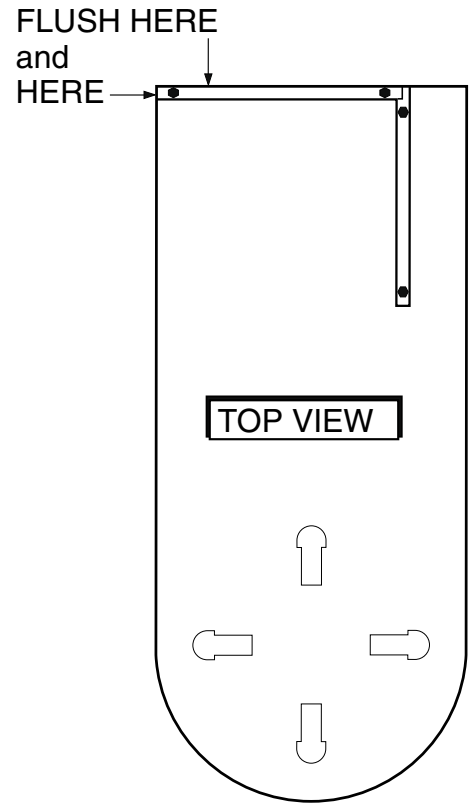
1. Install (2) L-brackets to end panel .
NOTE: Attach Z-brackets to worksurface before attaching to back panel.



2. Attach back panel to end panel.
 - A Install (3) steel dowels into holes in back panel.
 - B Insert (3) cam locks into openings in end panel.
 - C Position the panels together and secure with a half turn of cam locks.



3. Using end panel assembly as reference, locate the pilot holes on bottom of worksurface that matches routed area on end panel. Attach (2) Z-brackets to bottom of worksurface.
4. Lower assembled panels into place.
5. Secure all brackets with screws provided.



6. Install X-Flex Base into the routs with the screws provided.
7. Carefully turn completed unit over and adjust glides until unit is completely level.

(12) screws
#10-9 X 1 3/4"
truss head

