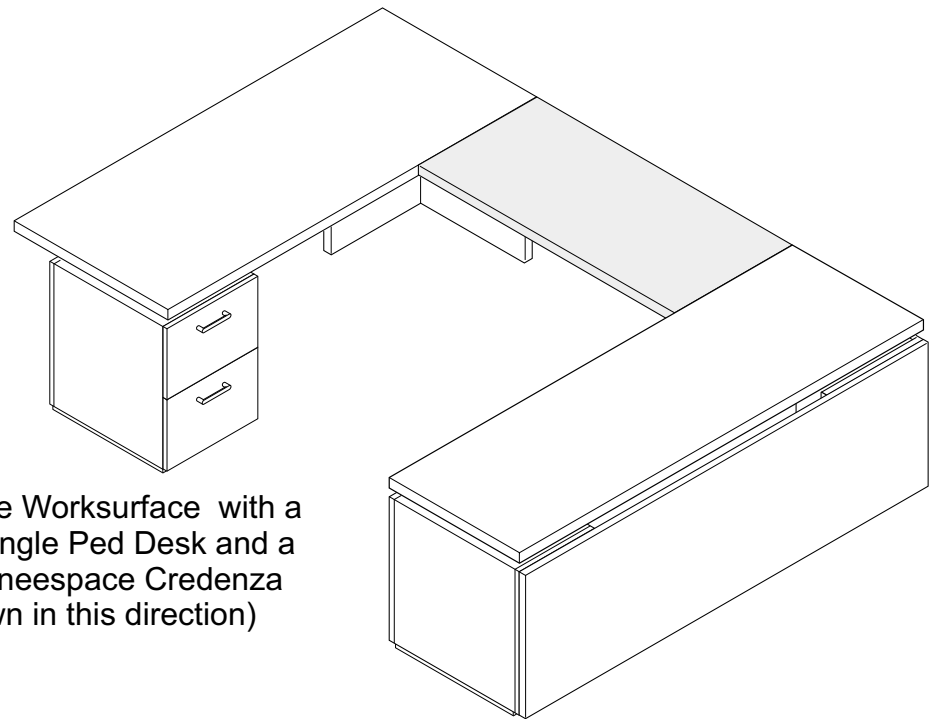
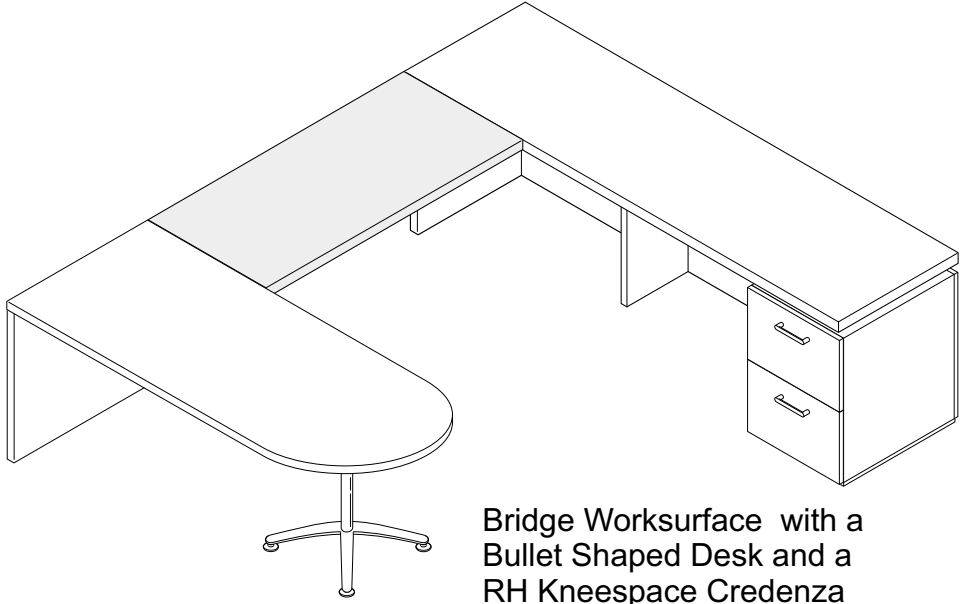


IMPACT - Attaching a Bridge Worksurface

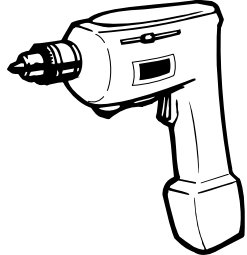
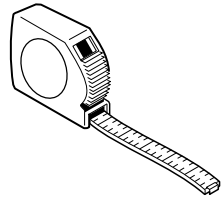


Bridge Worksurface with a
LH Single Ped Desk and a
RH Kneespace Credenza
(shown in this direction)

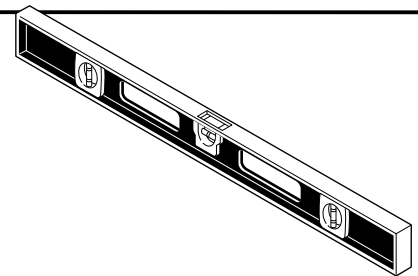


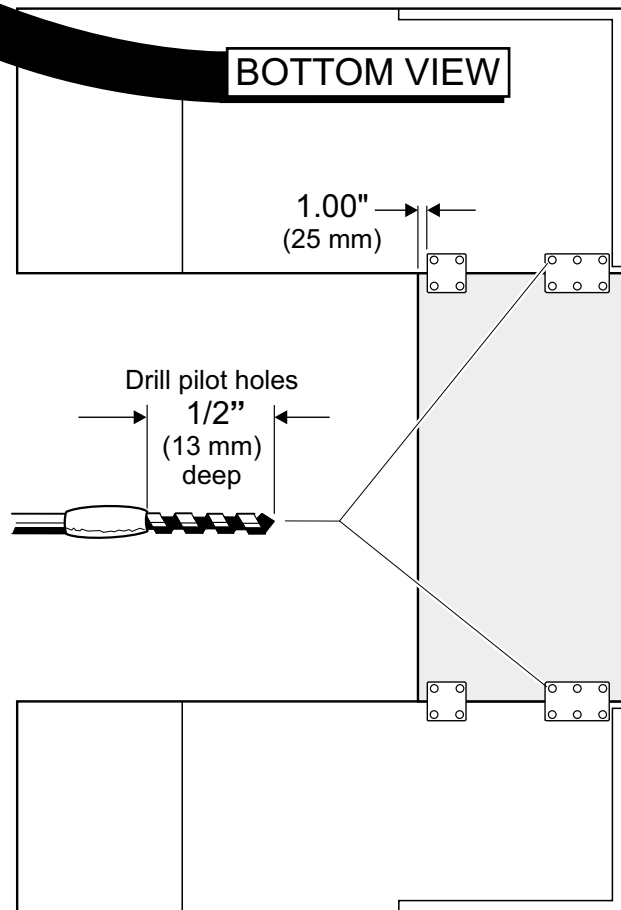
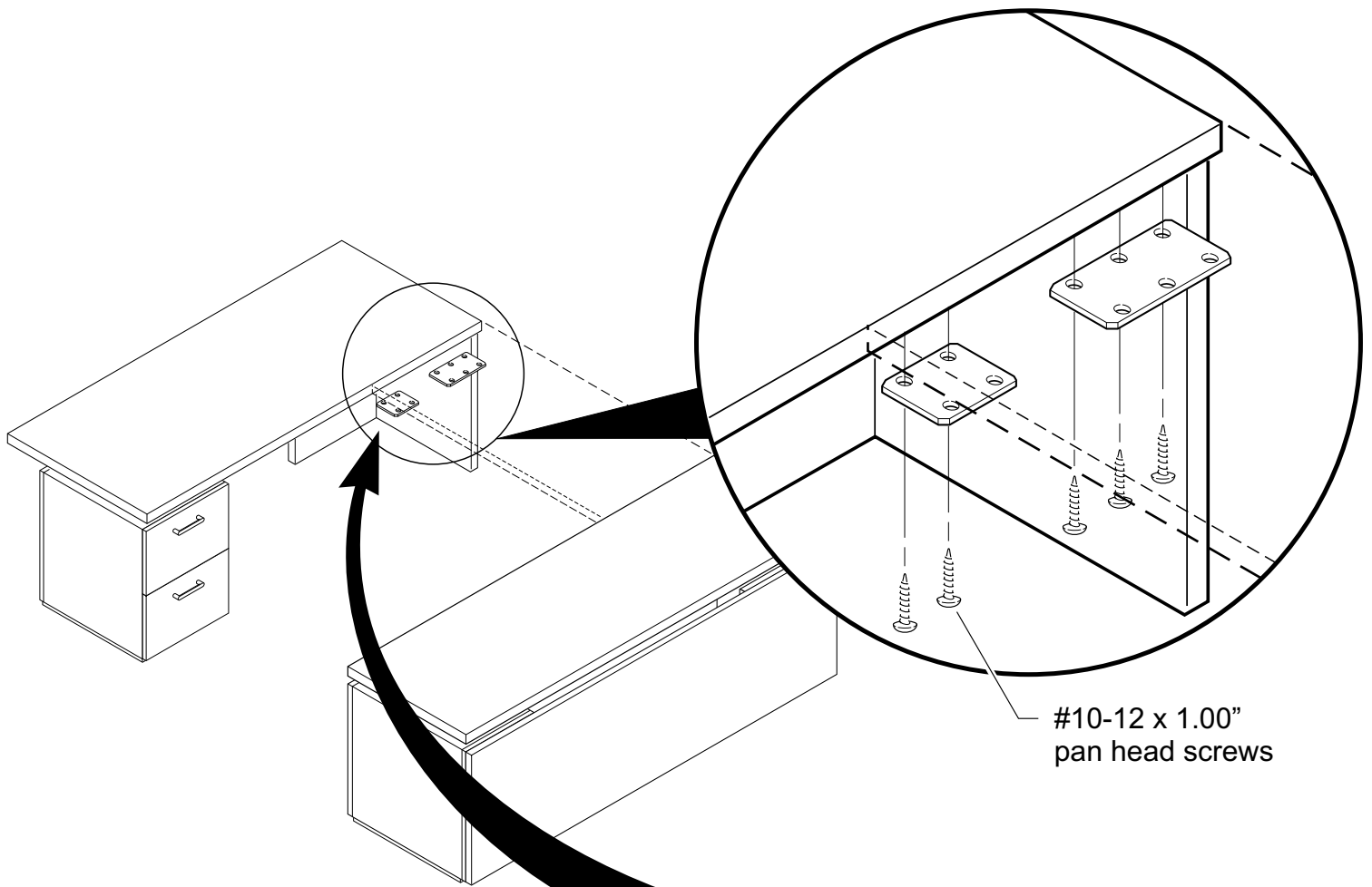
Bridge Worksurface with a
Bullet Shaped Desk and a
RH Kneespace Credenza

Tools



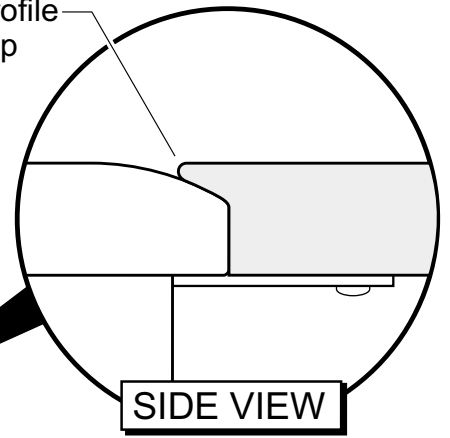
1/8"
(3.1 mm)



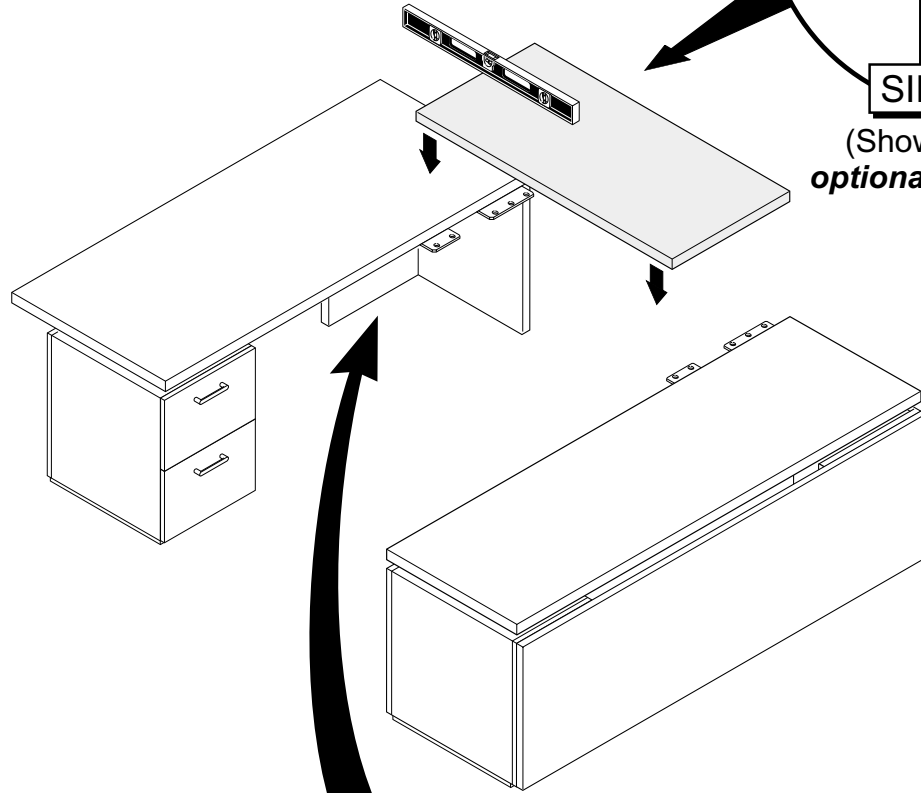


1. Refer to the bottom view to locate and install (2) mounting plates on underside of adjacent units.

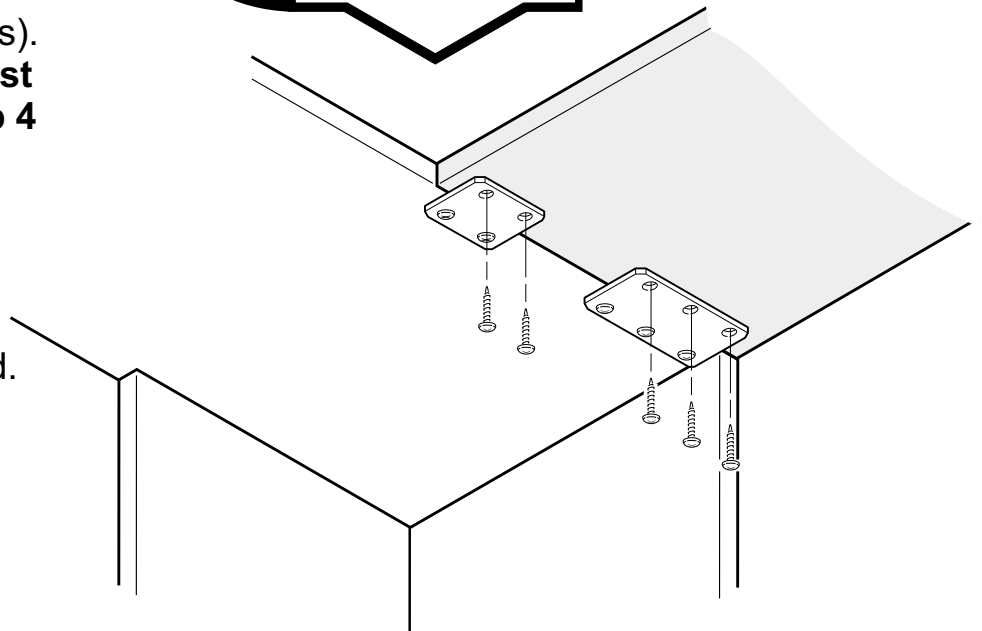
Return has coped profile to fit with waterfall top



(Showing units with optional waterfall edge profiles)



BOTTOM VIEW



- 2.** Move all units into position (bridge top can rest on plates). **CAUTION: One person must hold top in place until step 4 is completed.**
- 3.** Adjust leveling glides until tops are completely flush.
- 4.** Secure with screws provided.