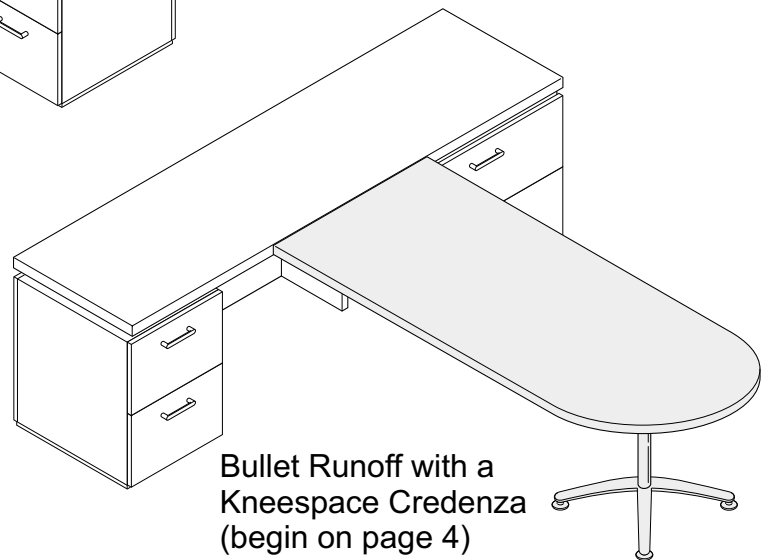
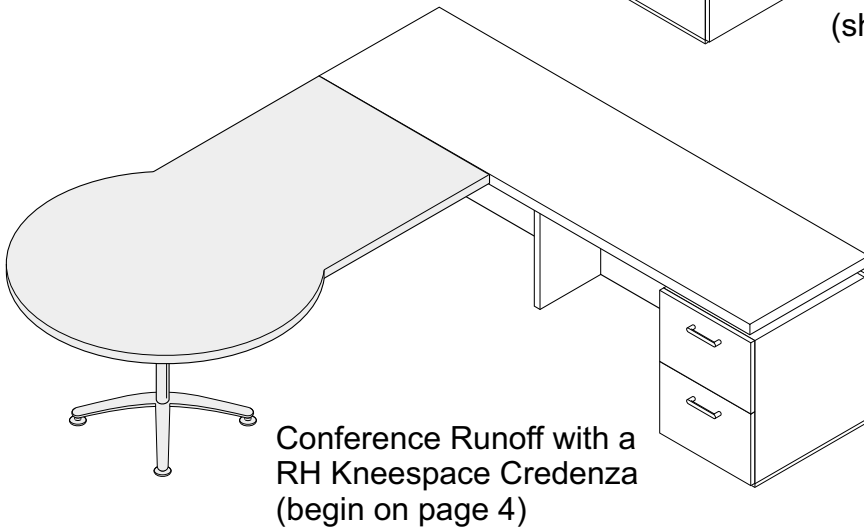
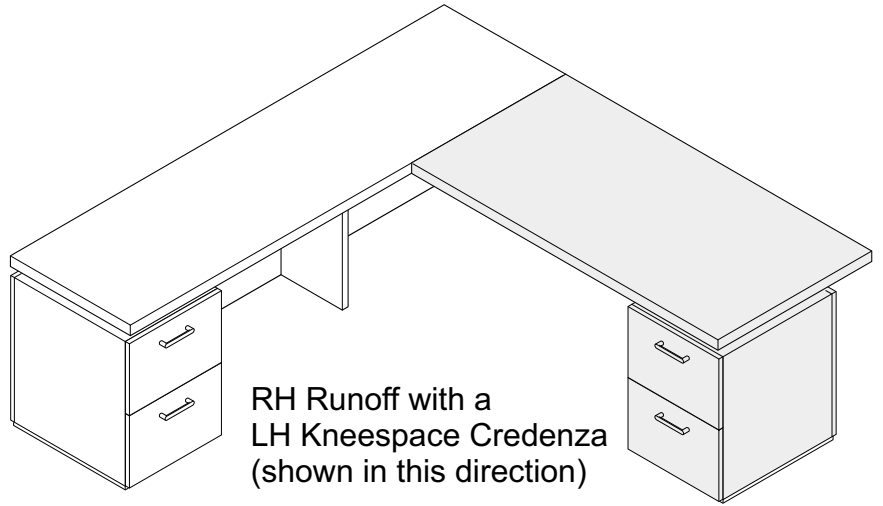
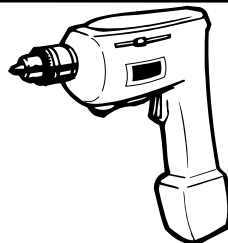
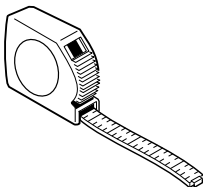


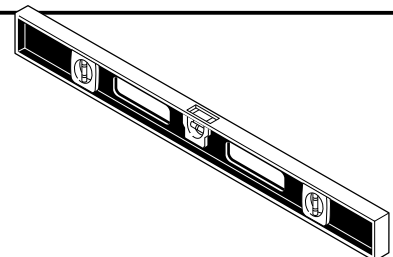
IMPACT - Attaching a Runoff to a Credenza

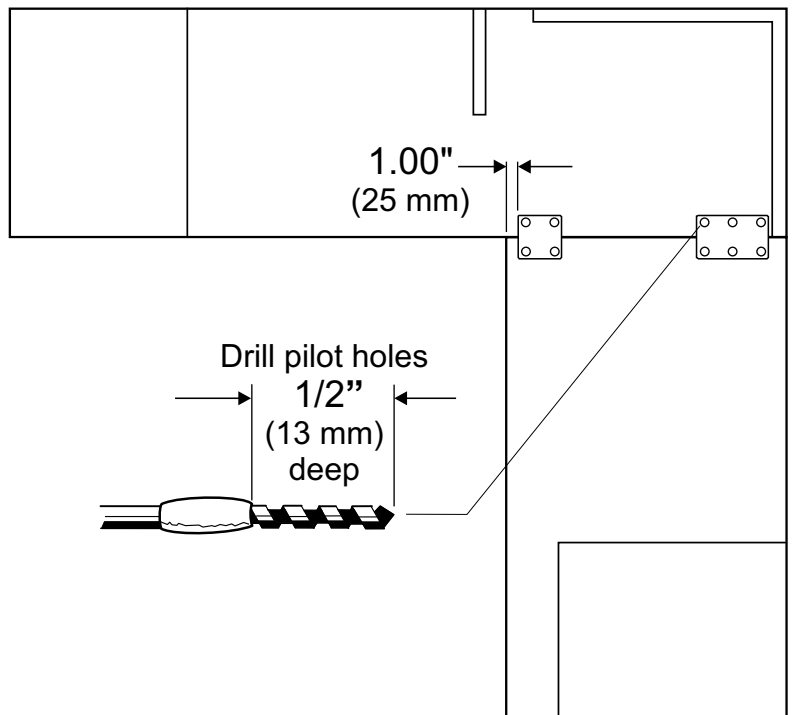
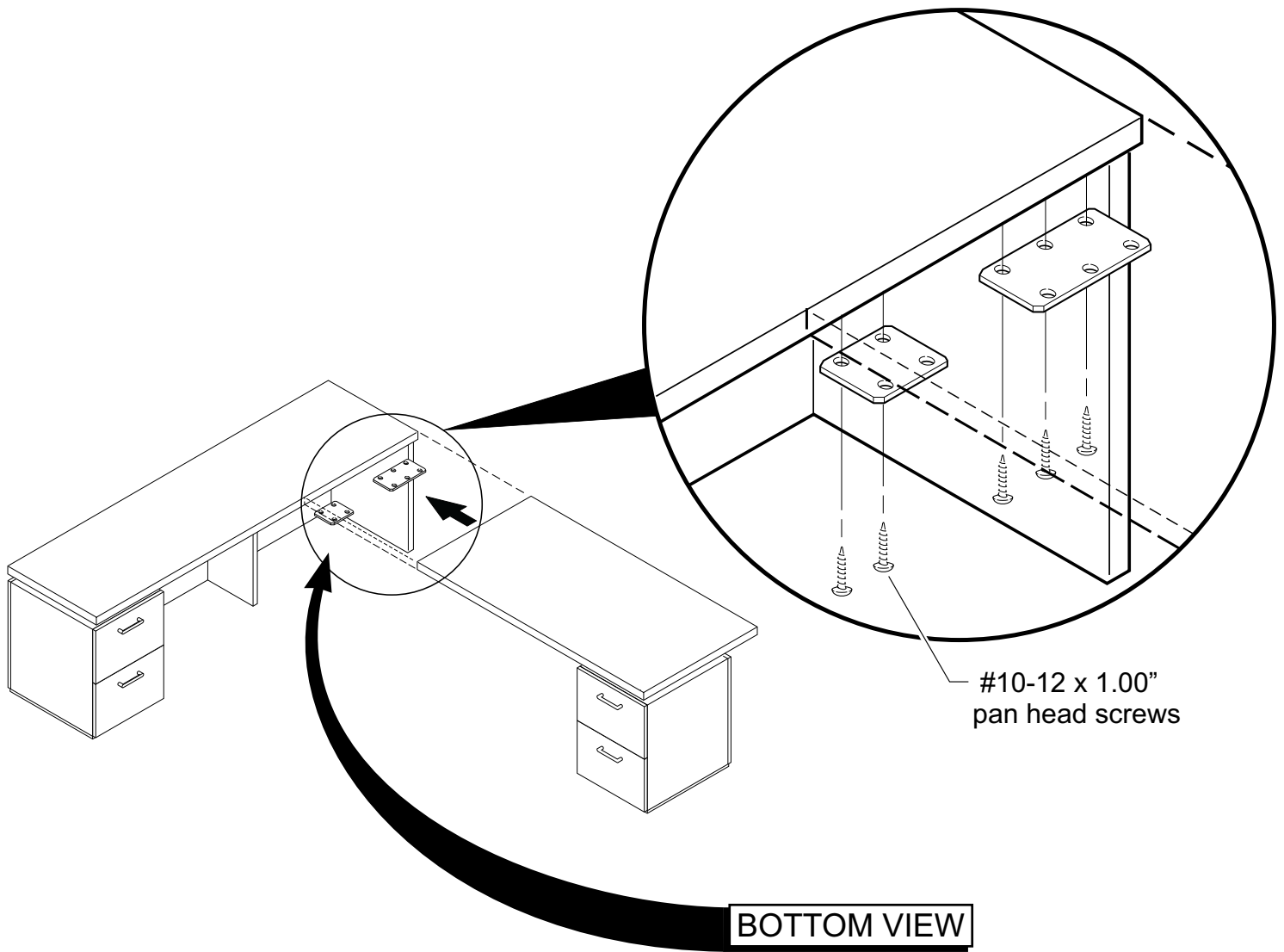


Tools

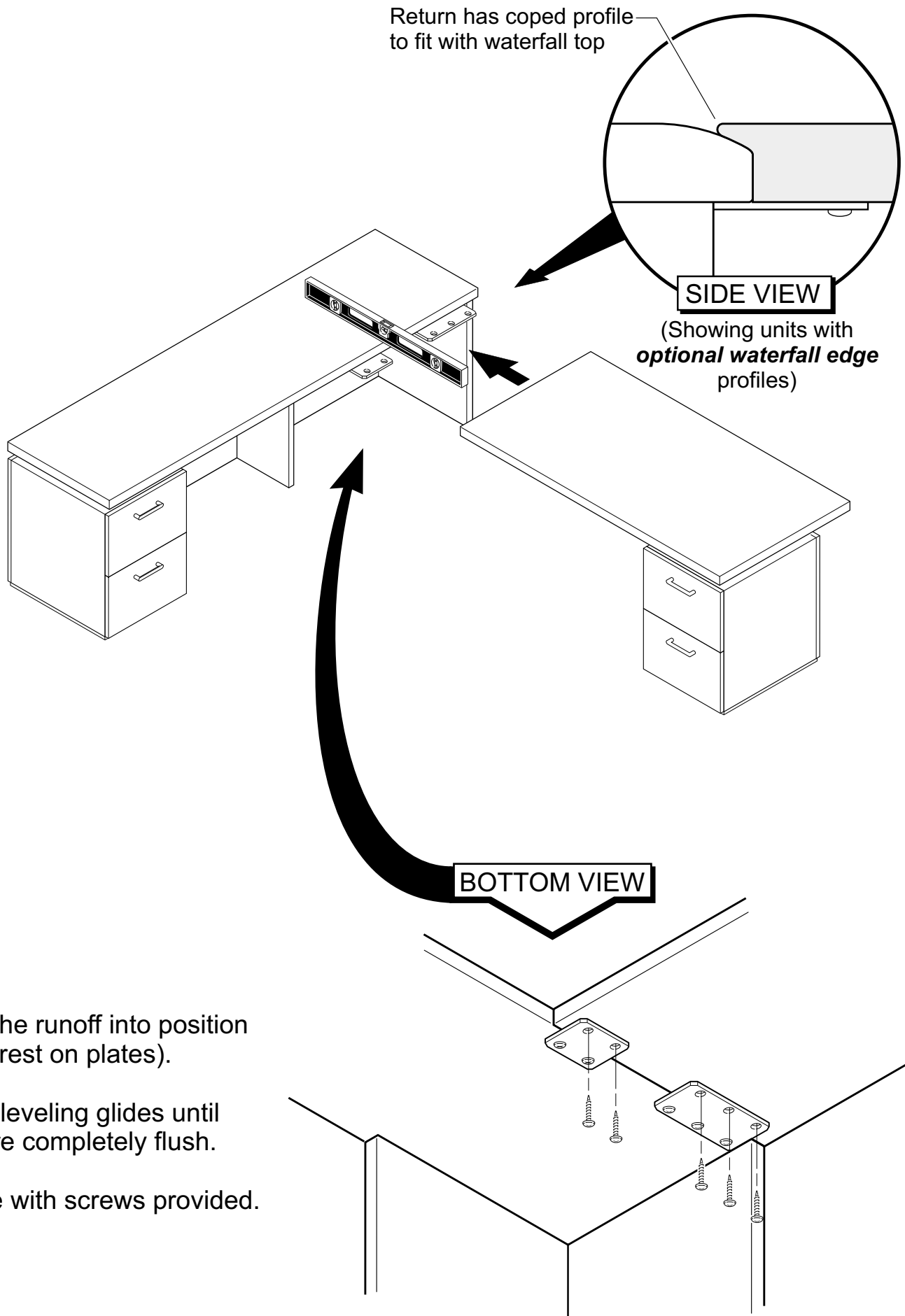


1/8"
(3.1 mm)



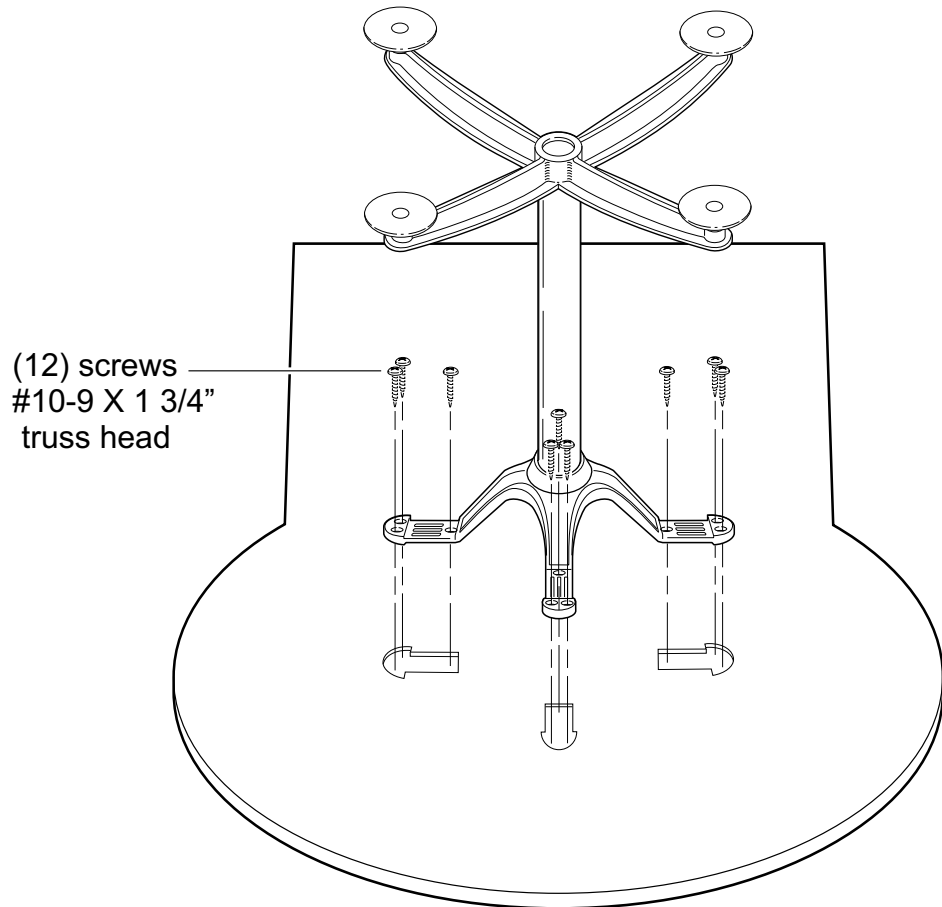


1. Refer to the bottom view to locate and install (2) mounting plates on underside of credenza.



- 2.** Move the runoff into position (it can rest on plates).
- 3.** Adjust leveling glides until tops are completely flush.
- 4.** Secure with screws provided.

BULLET OR CONFERENCE TOP



- 1.** Carefully set worksurface (top down) onto carpet.
- 2.** Install base into routs with the screws provided.
- 3.** Go to page 2, step 1 to complete assembly.