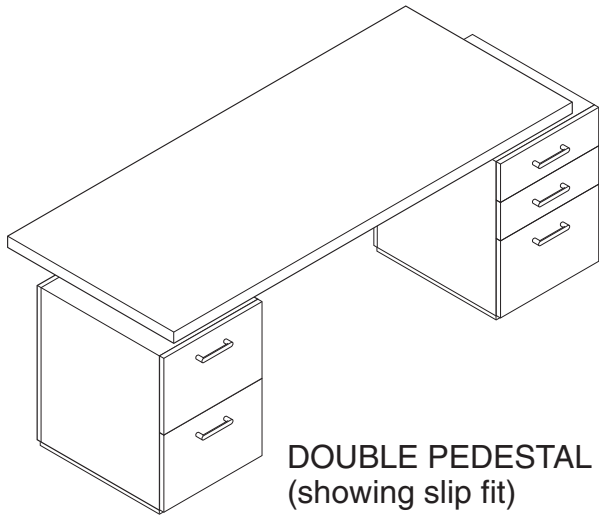
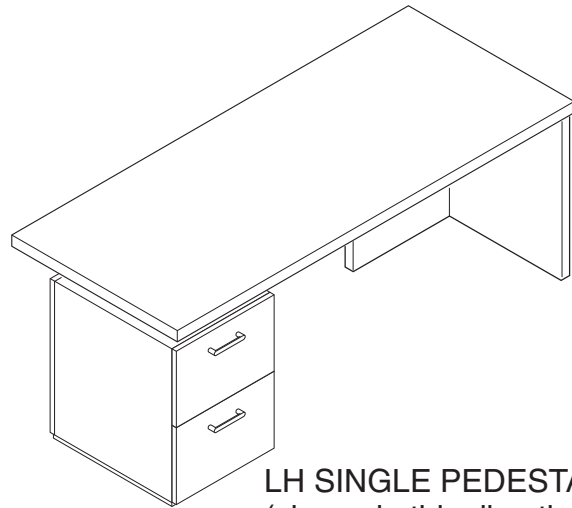


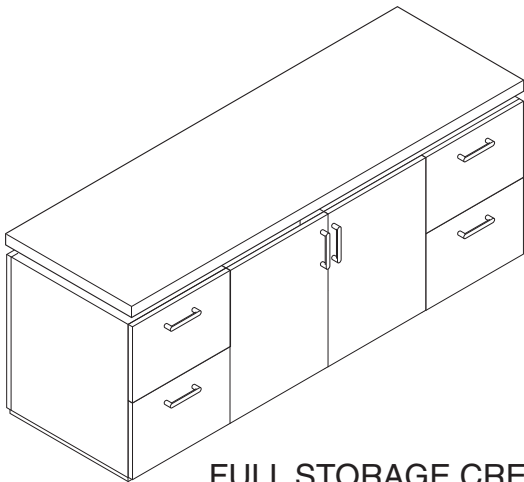
# IMPACT - Attaching Pedestal, End Panel and Center Kneespace Panel to Worksurface



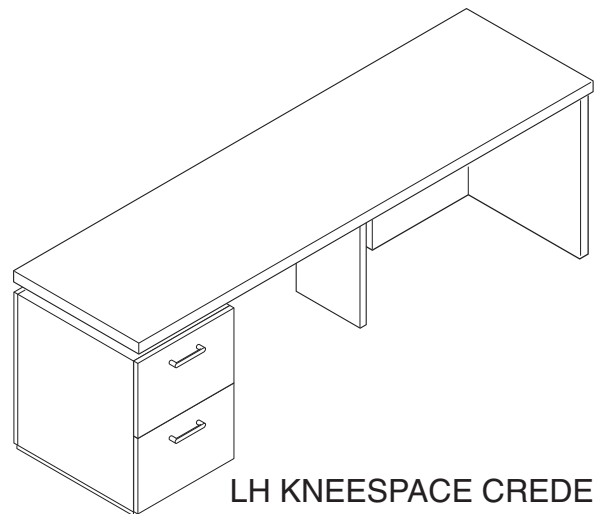
DOUBLE PEDESTAL DESK  
(showing slip fit)



LH SINGLE PEDESTAL DESK  
(shown in this direction)

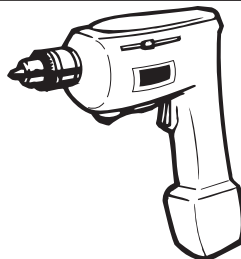
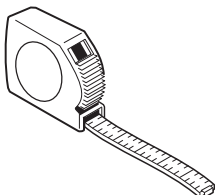


FULL STORAGE CREDENZA

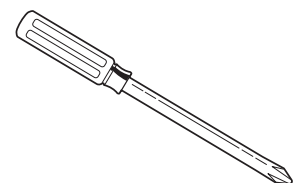


LH KNEESPACE CREDENZA  
w/ CENTER SUPPORT PANEL

## Tools



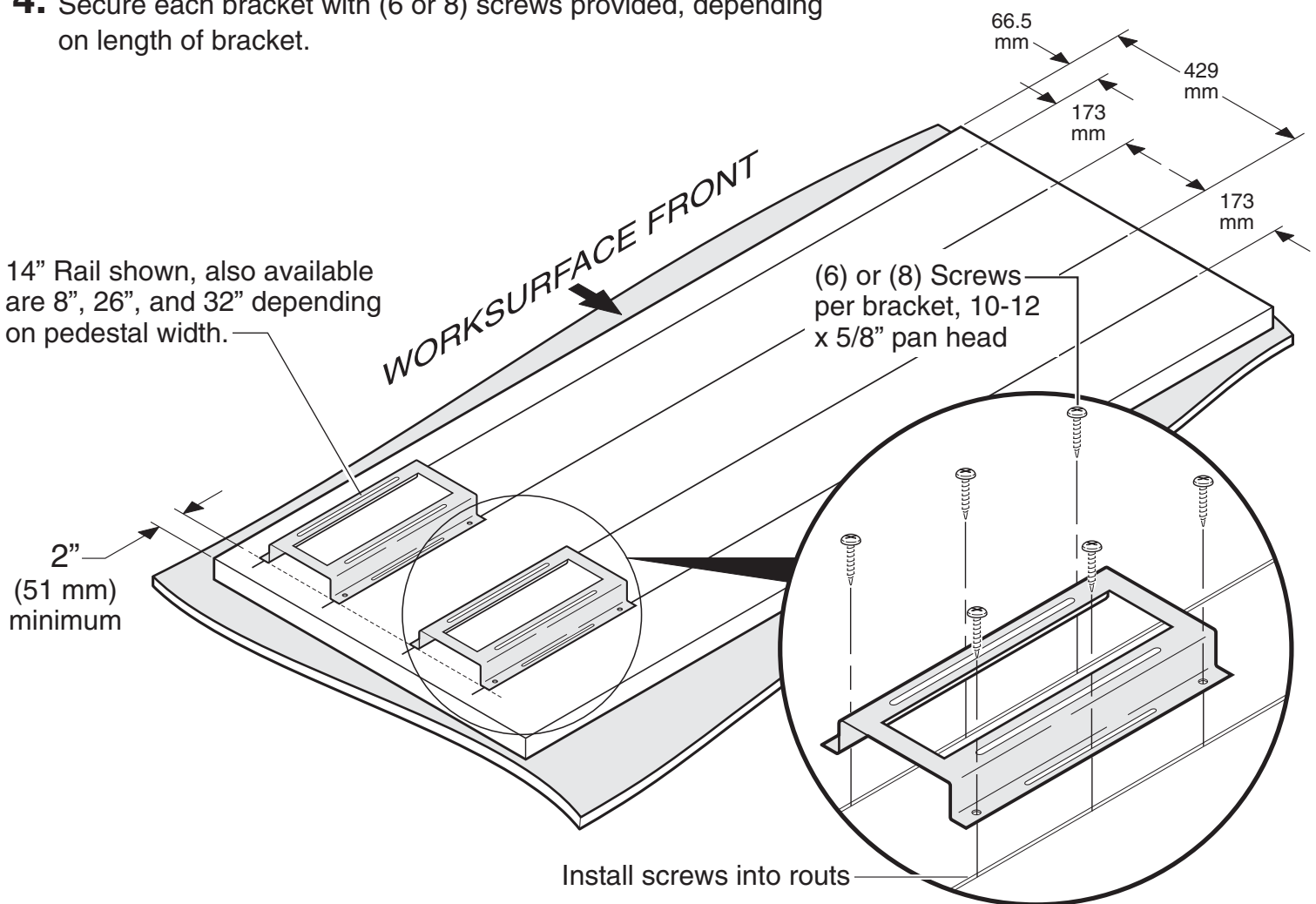
1/8"  
(3.1 mm)



## ATTACH A PEDESTAL TO A WORKSURFACE

*Note: this page shows how to install a pedestal flush with the worksurface for a single ped desk. You may want to position the pedestal so it extends beyond the worksurface (slip fit) and with a credenza you may have multiple pedestals. **Location of pedestals always determines where to install the rails.***

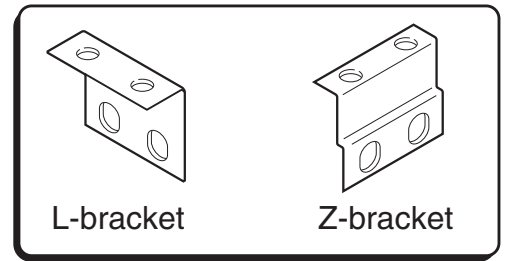
1. Carefully flip worksurface over onto carpet or other soft material.
2. Determine (side to side) location of pedestal under worksurface.  
**Note: mid-point of pedestal will be the same as midpoint of rail (this will allow for maximum slip fit movement).**
3. Position brackets (2 per pedestal) so that openings and holes in flanges are aligned with routs in worksurface. This will help keep assembly square.  
**Note: For worksurfaces without routs, draw lines at dimensions shown to align bracket holes.**
4. Secure each bracket with (6 or 8) screws provided, depending on length of bracket.



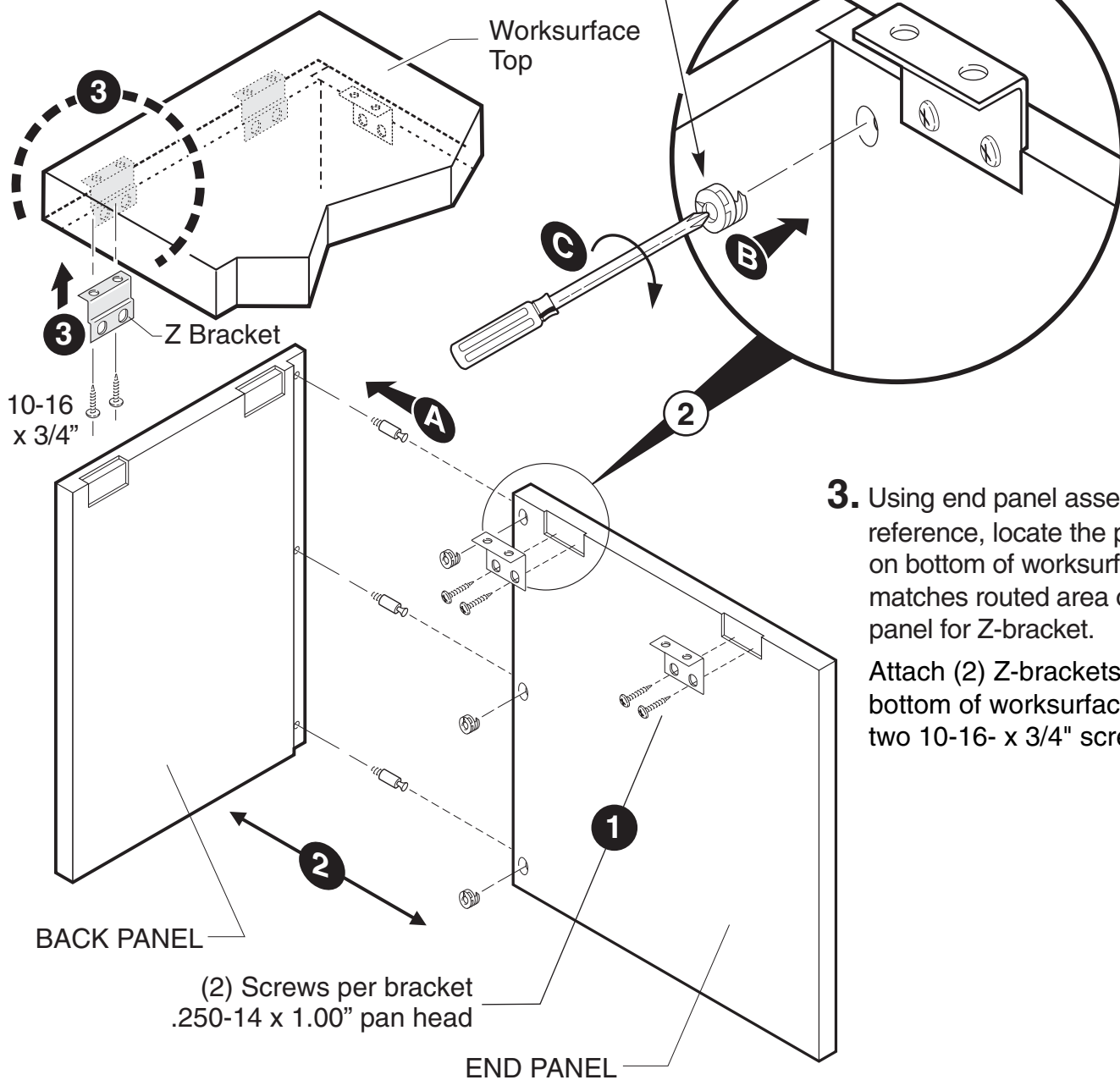
5. When all brackets are attached proceed to page 6.

## ATTACH AN END PANEL TO A WORKSURFACE

1. Fit (2) L-brackets in the routed recess of end panel and attach with .250-14 x 1.00" screws.  
NOTE: Z-bracket is to be attached to worksurface before attaching to back panel.



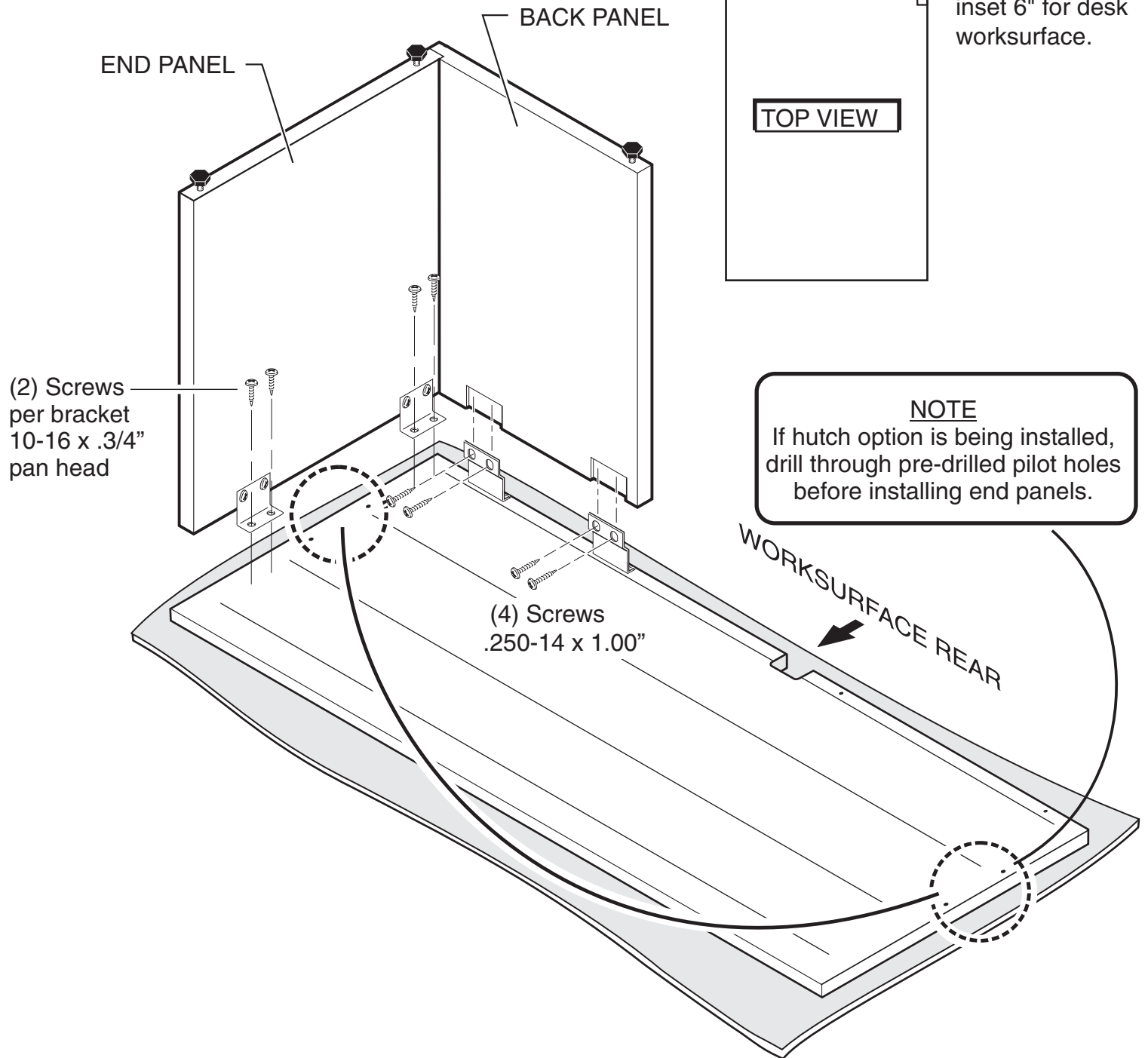
2. Attach back panel to end panel.
  - A Install (3) steel dowels into holes in back panel.
  - B Insert (3) cam locks into openings in end panel.
  - C Position the panels together and secure with a half turn of cam locks.



3. Using end panel assembly as reference, locate the pilot holes on bottom of worksurface that matches routed area on end panel for Z-bracket.  
Attach (2) Z-brackets to bottom of worksurface with two 10-16- x 3/4" screws each.

**4.** Lower assembled end panel into place (rear and side edges will be flush with credenza work surface and rear edge will be inset 6" for desk work surface).

**5.** Secure all brackets with screws provided.



**6.** When assembly is complete proceed to page 6.

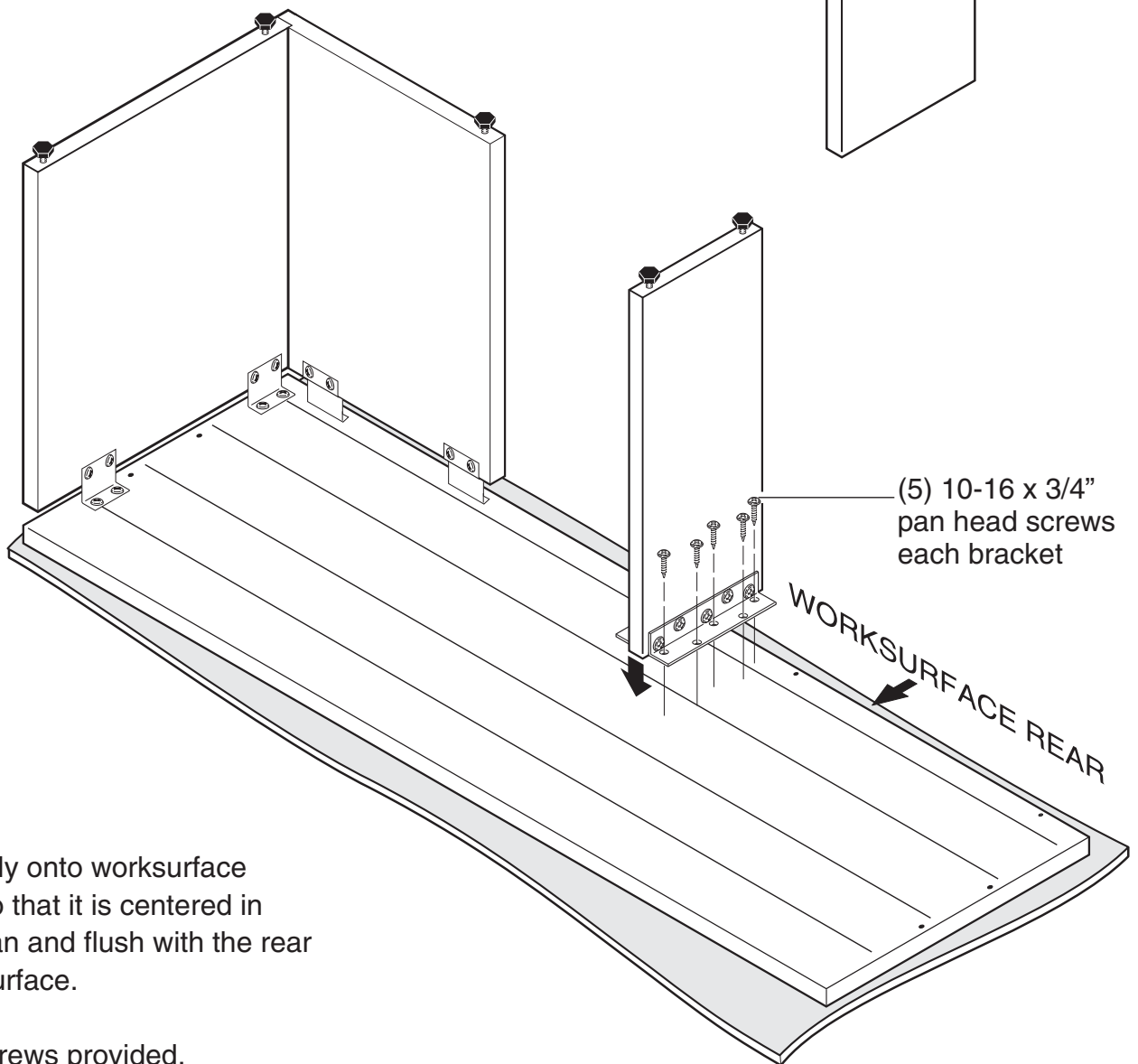
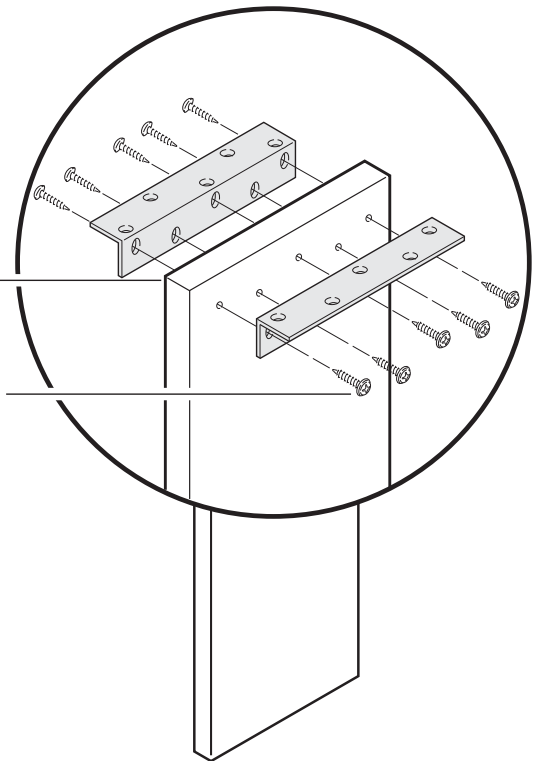
## ATTACH A CENTER SUPPORT TO A WORKSURFACE

A center support panel is required only when there is a kneespace span of greater than 54".

1. Attach an angle bracket to each side of top of support panel as shown.

TOP OF PANEL

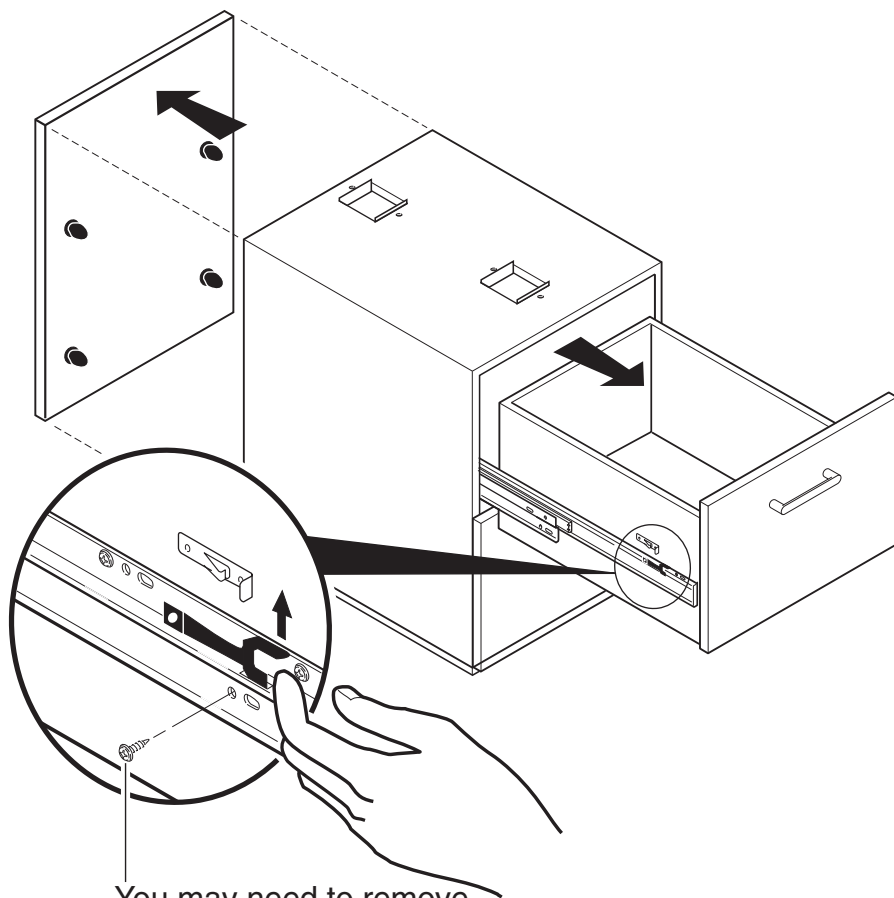
(5) 10-16 x 3/4"  
pan head screws  
each bracket



2. Lower assembly onto worksurface and position so that it is centered in kneespace span and flush with the rear edge of worksurface.
3. Secure with screws provided.
4. When all components are attached proceed to page 6.

## TO COMPLETE ASSEMBLY

1. Remove back panel and top drawer(s) for access to pedestal interior.
2. Put pedestal(s) approximately in final location.
3. Carefully lower worksurface assembly onto pedestal(s), engaging protruding brackets through openings in rails.
4. Secure pedestal(s) to worksurface as shown.
5. Reinstall drawer(s) and back panels.



Secure each bolt with a rectangular nut.

