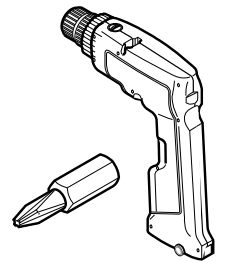
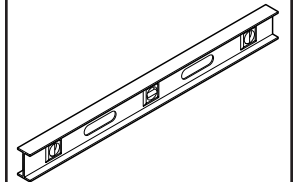
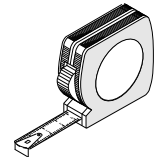


A 15" deep Header is used to span two stacking or freestanding bookcases. Use a 24" deep Header with Towers, Wardrobes, or Vertical Cabinets.

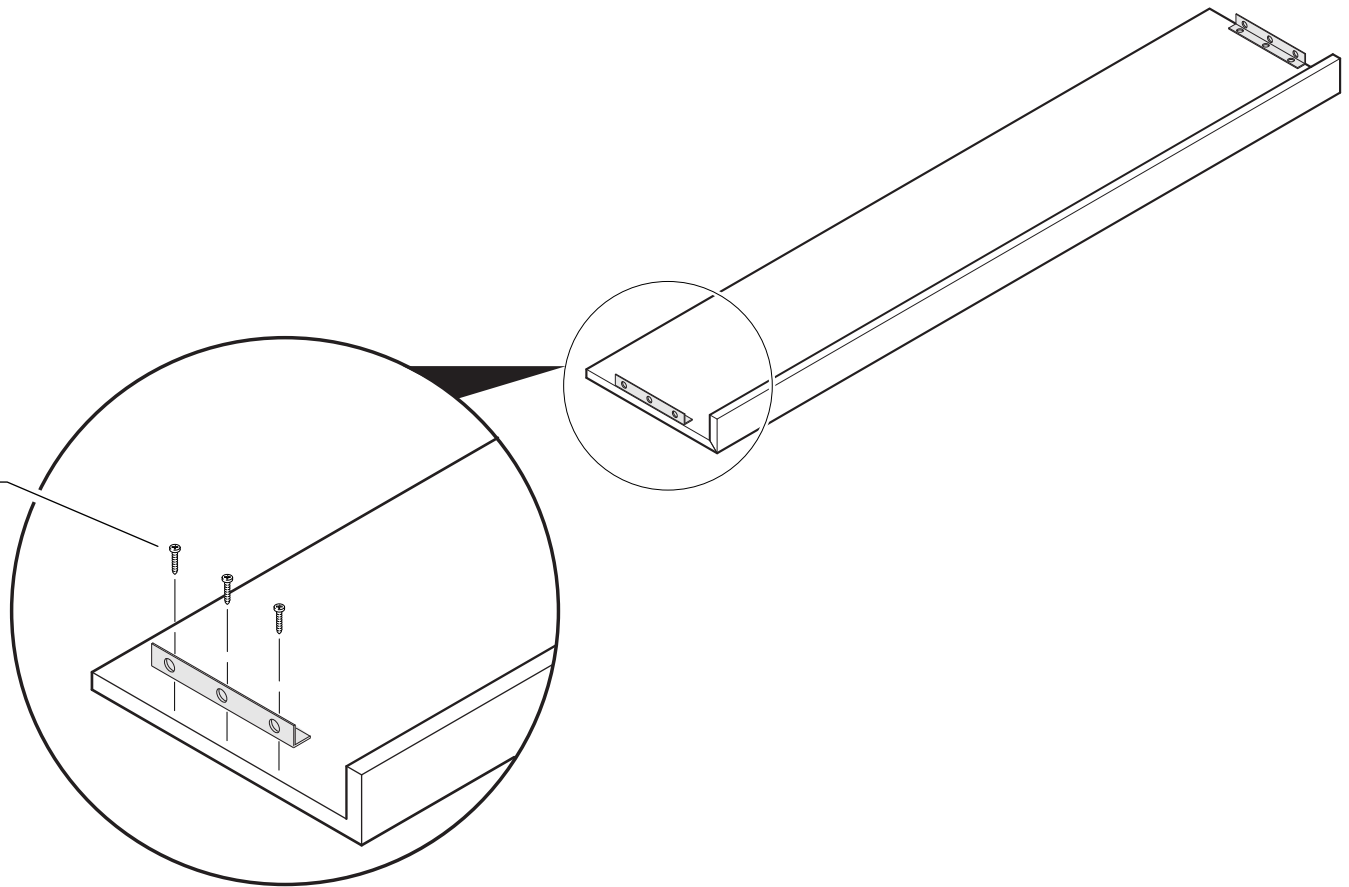


If you have a problem, question, or request, call your local dealer, or Steelcase Line 1 at 888.STEELCASE (888.783.3522) for immediate action by people who want to help you. (Outside the U.S.A., Canada, Mexico, Puerto Rico, and the U.S. Virgin Islands, call: 1.616.247.2500) Or visit our website: www.steelcase.com

© 2004 Steelcase Inc.
Grand Rapids, MI 49501
U.S.A.
Printed in U.S.A.

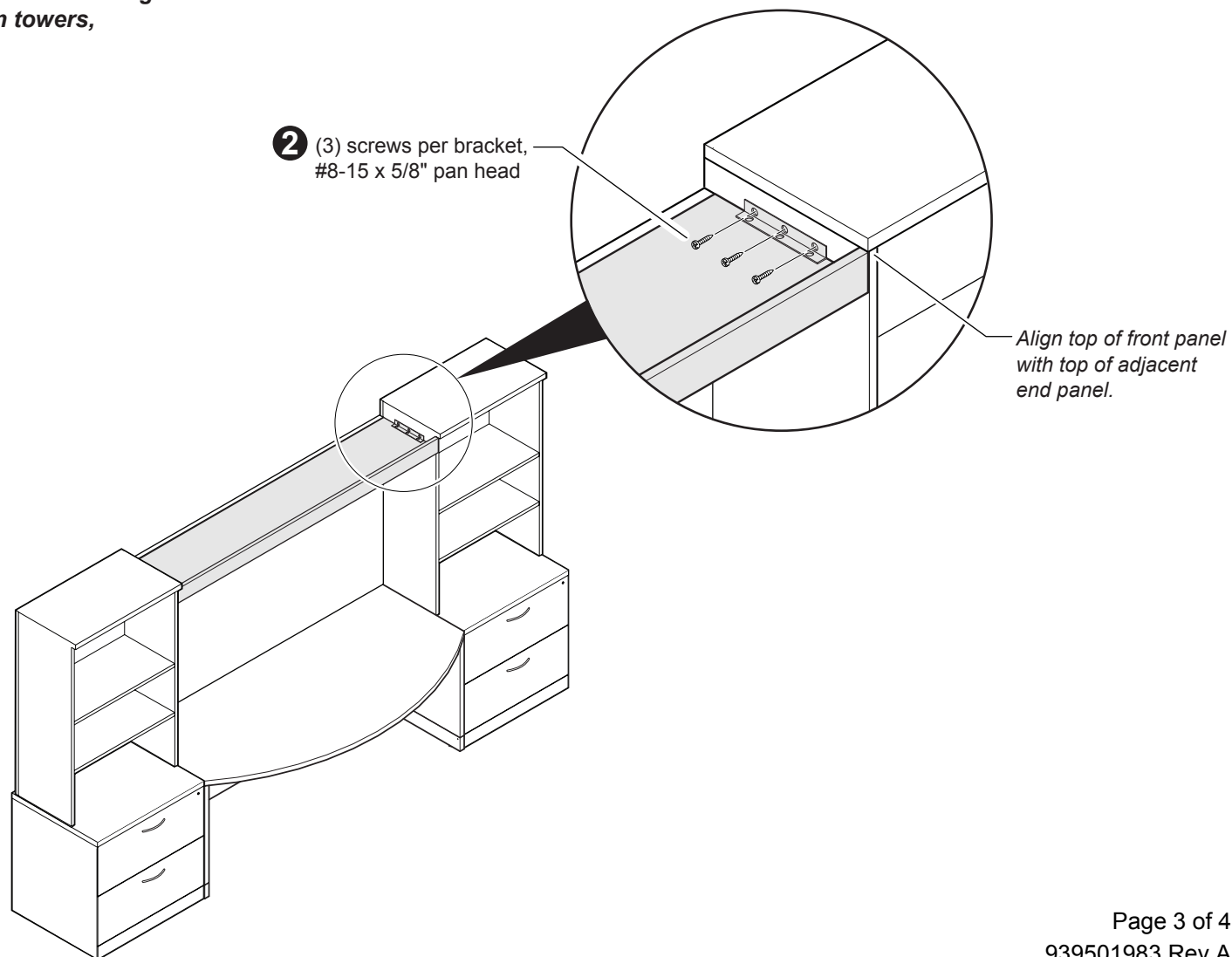
1. Attach an angle bracket to each end of lower section of header as shown.

1 (3) screws per bracket,
#8-15 x 5/8" pan head



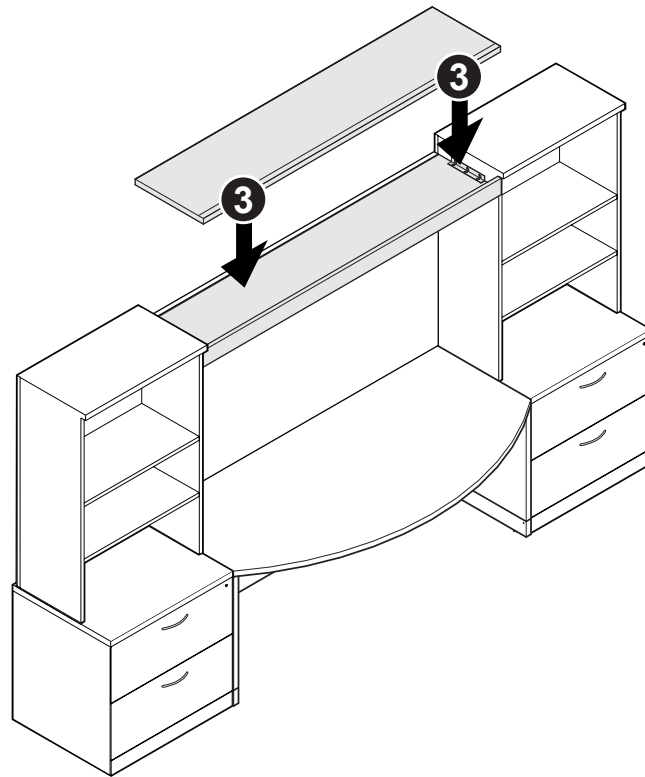
2. Install the lower mitered section of header between two adjacent cabinets as shown.

Note: a 15" deep header (shown in this example) must be suspended between stacking or freestanding bookcases. A 24" deep header will span towers, wardrobes or vertical cabinets.

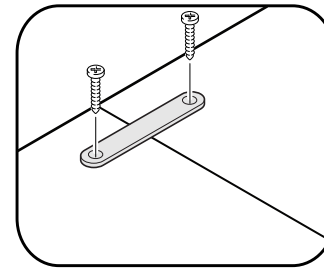


3. Lower top section of header into place.

Note: top section may be secured to adjacent units using brackets in either the (A) top, or (B) rear location.



A - TOP LOCATION



B - REAR LOCATION

