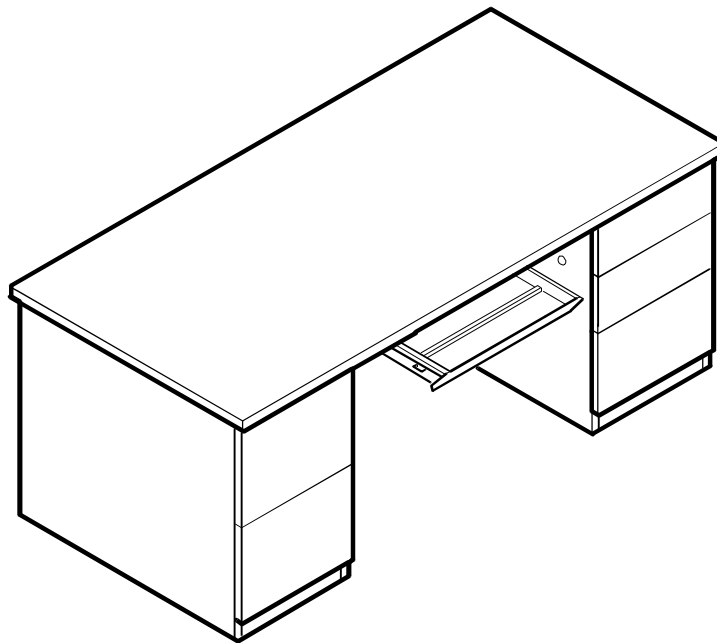
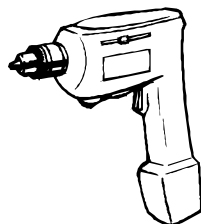
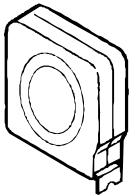


# Center Drawer Installation

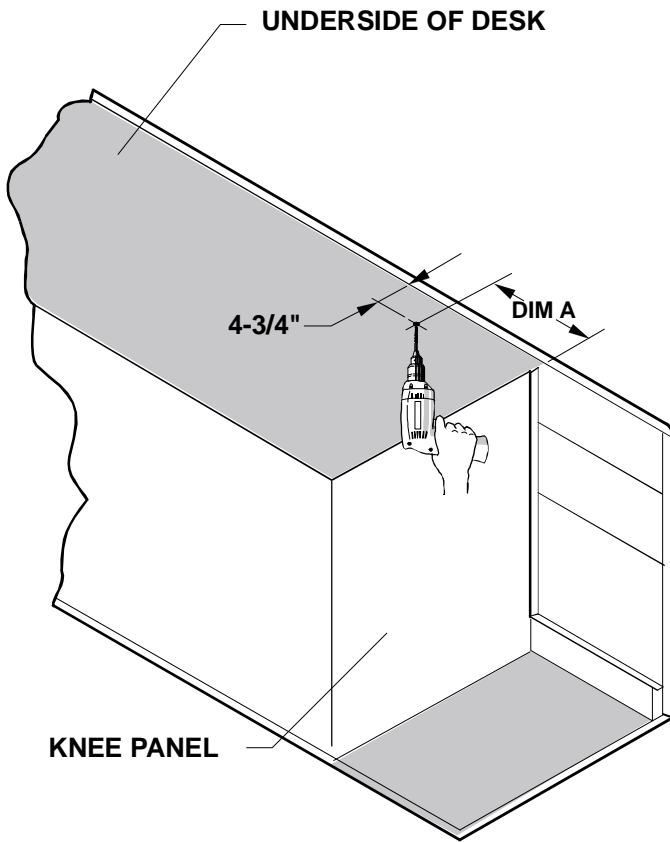
- Applicable to Garland and Harmony



## Tools

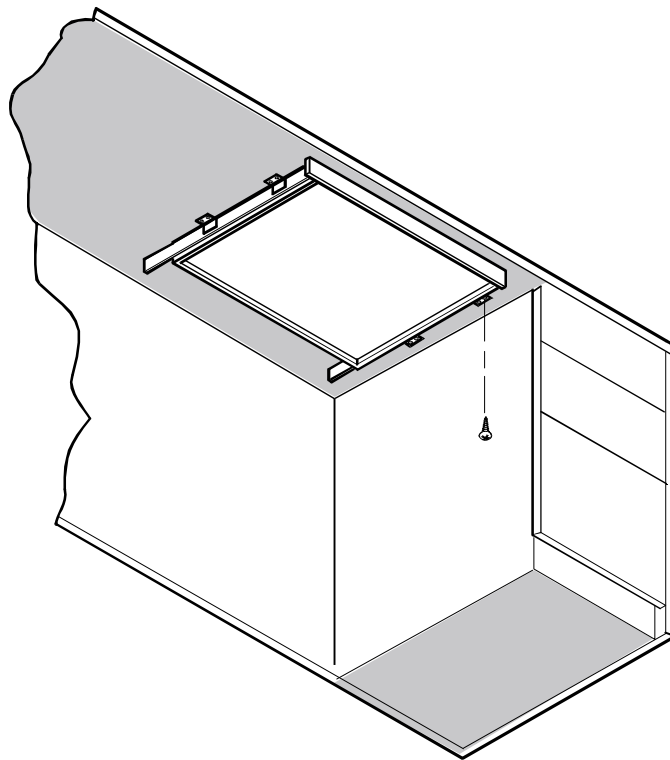


1/8"

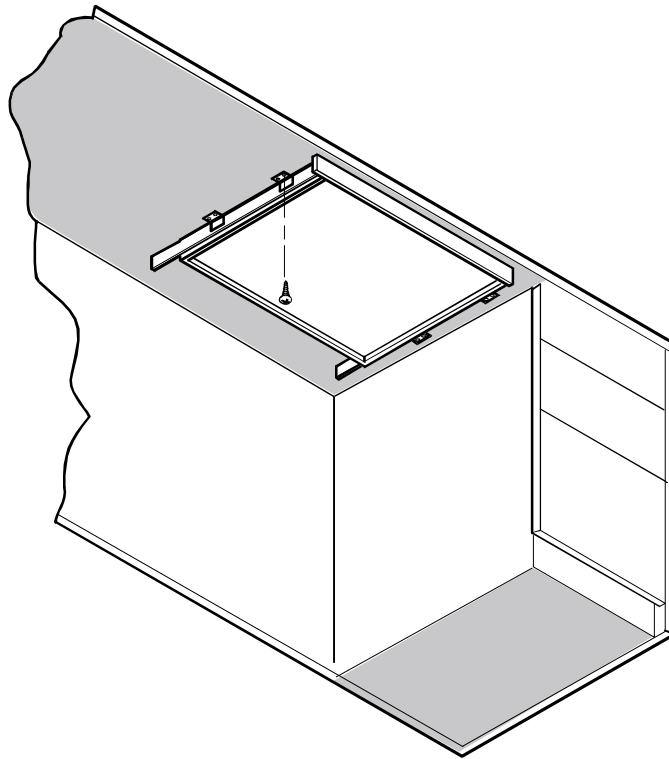


	DIM A
66" Single Ped Desk	2.00"
72" Single Ped Desk	5.00"
60" Double Ped Desk	2.75"
66" Double Ped Desk	5.75"
72" Double Ped Desk	8.75"

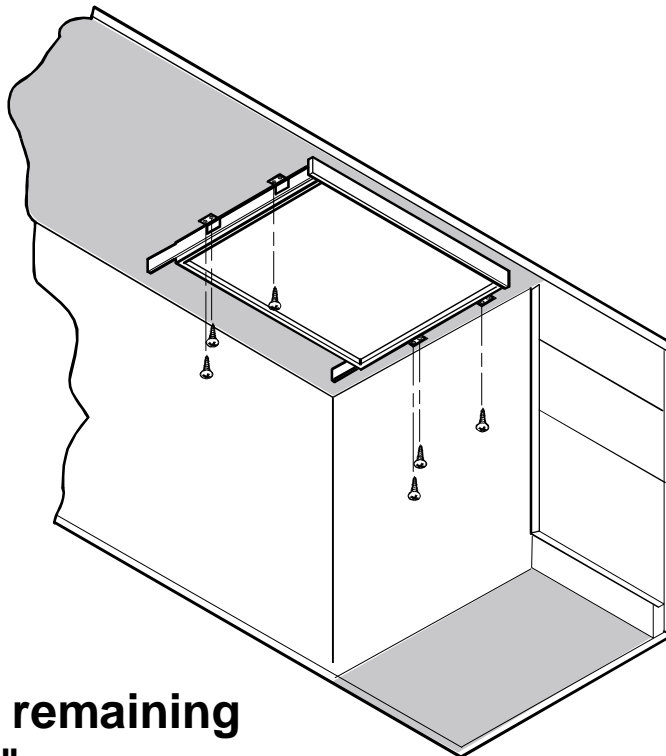
**1. Locate and drill 1/8" dia. pilot hole.**



**2. Install (1) 7/8" screw.**



- 3.** Position center drawer so that its front is parallel with front edge of desk top. Pilot drill and install (1) 7/8" screw.



- 4.** Install remaining (6) 7/8" screws.