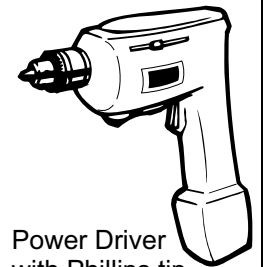
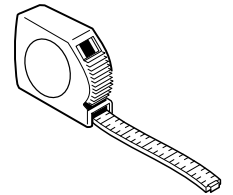
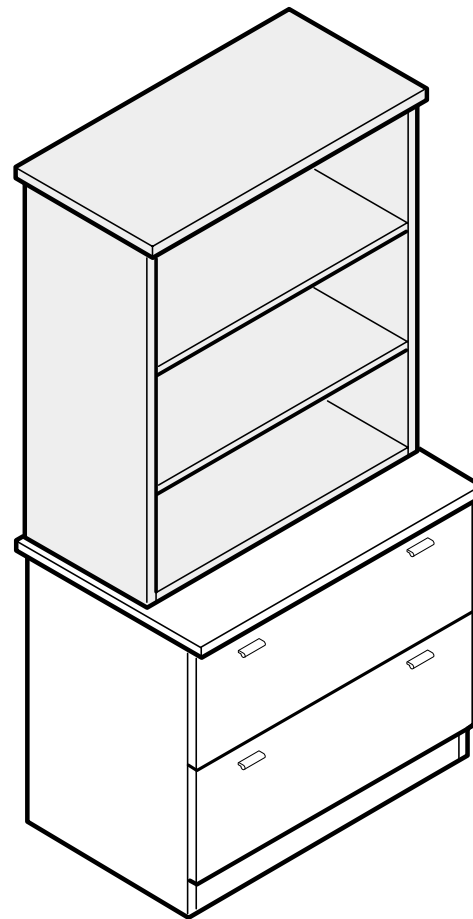


Garland - Stacking Bookcase Installation



Power Driver
with Phillips tip



1/8" dia.
(3 mm)

If you have a problem, question, or request, call your local dealer, or Steelcase Line 1 at **888.STEELCASE** (888.783.3522) for immediate action by people who want to help you.

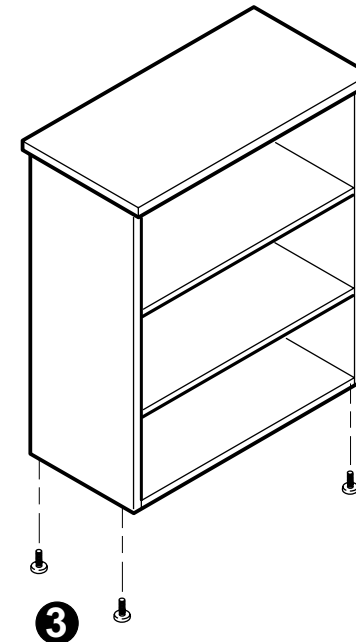
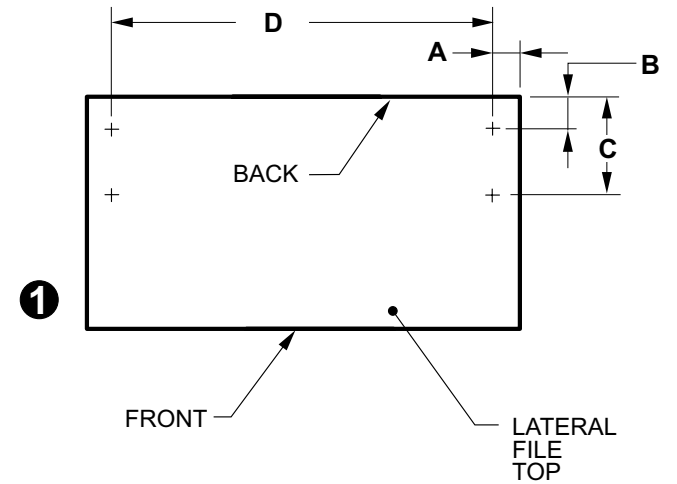
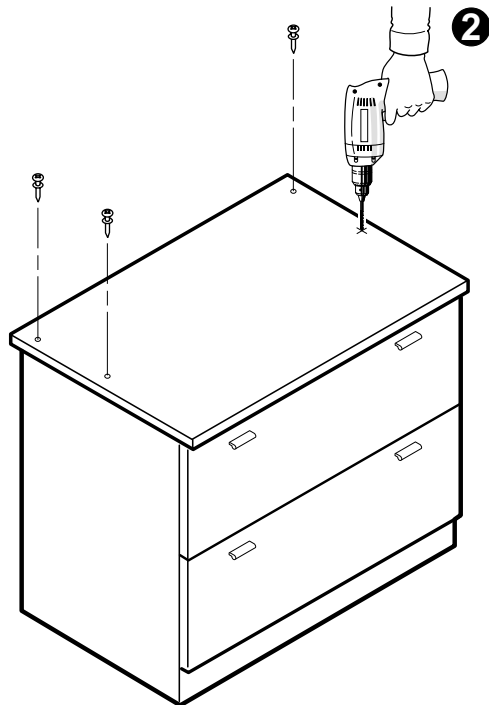
(Outside the U.S.A. Canada, Mexico, Puerto Rico, and the U.S. Virgin Islands, call: 1.616.247.2500)
Or visit our website: www.steelcase.com

© 2002 Steelcase Inc.
Grand Rapids, MI 49501
U.S.A.

Printed in the U.S.A.

	DIM A	DIM B	DIM C	DIM D
Garland 40-1/4" High Bookcase	9/16" (14.8 mm)	4-13/16" (122 mm)	13-11/16" (348 mm)	35-1/16" (890 mm)

1. Determine locations for modeez screws from chart.
2. Drill pilot holes 1/8" (3.1mm) dia. And 1/2" (12.7mm) deep. Install (4) modeez screws.
3. Remove glides and any other obstructions from bottom of bookcase.



- 4. Position bookcase on top of lateral file so that modeez screws are located to rear of female modeez fasteners.
- 5. Slide bookcase in direction of arrow until bookcase end panel and end panel of lateral file are in alignment.

