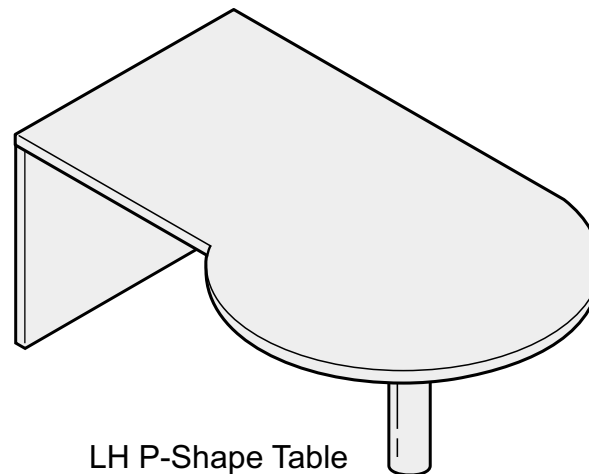
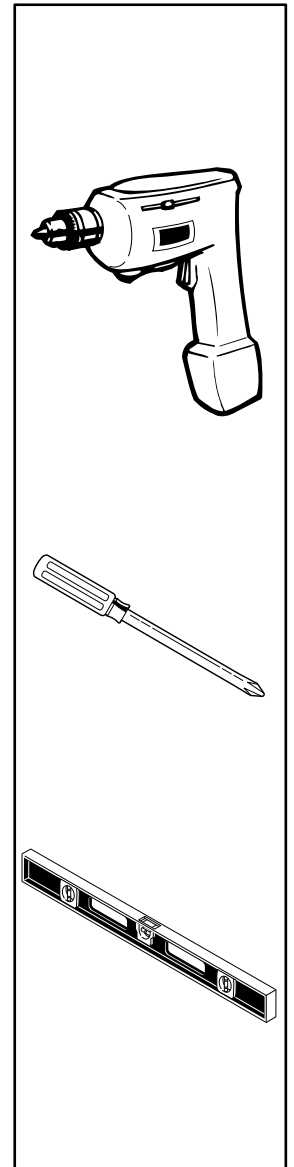


Bullet-Shape Table



LH P-Shape Table

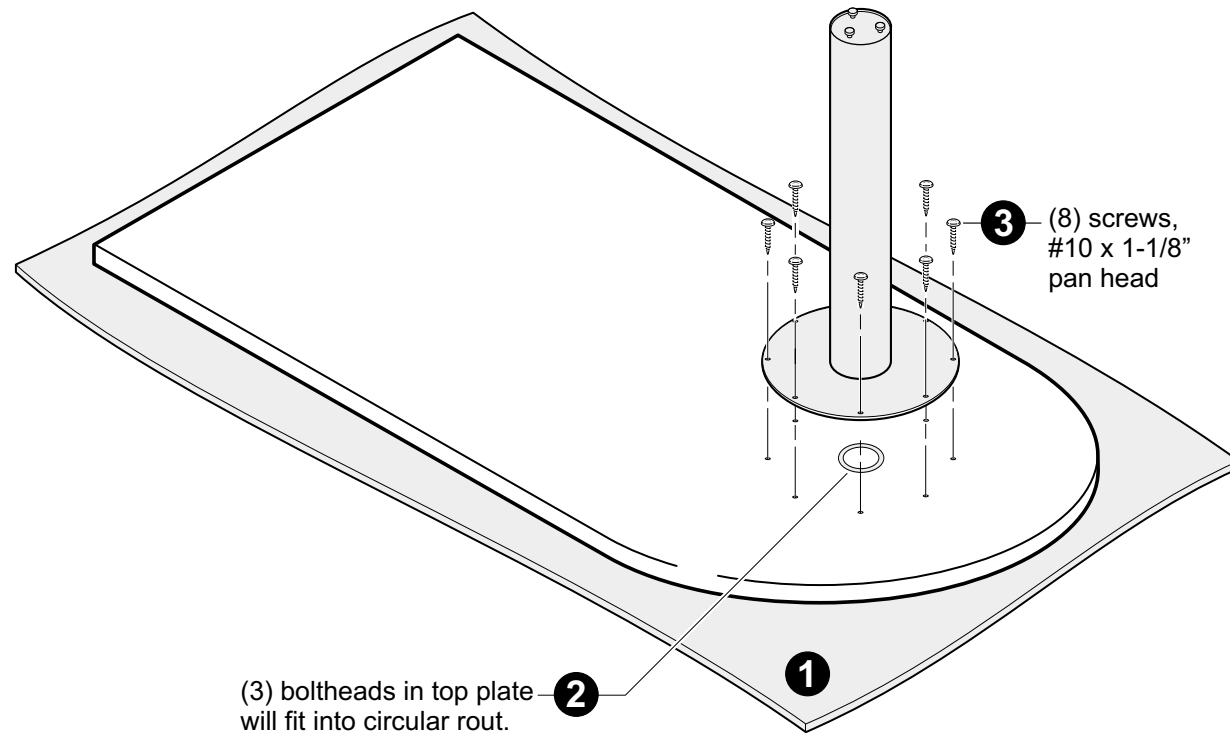


If you have a problem, question, or request, call your local dealer, or Steelcase Line 1 at **888.STEELCASE** (888.783.3522) for immediate action by people who want to help you.
(Outside the U.S.A. Canada, Mexico, Puerto Rico, and the U.S. Virgin Islands, call: 1.616.247.2500)
Or visit our website: www.steelcase.com

© 2002 Steelcase Inc.
Grand Rapids, MI 49501
U.S.A.

Printed in the U.S.A.

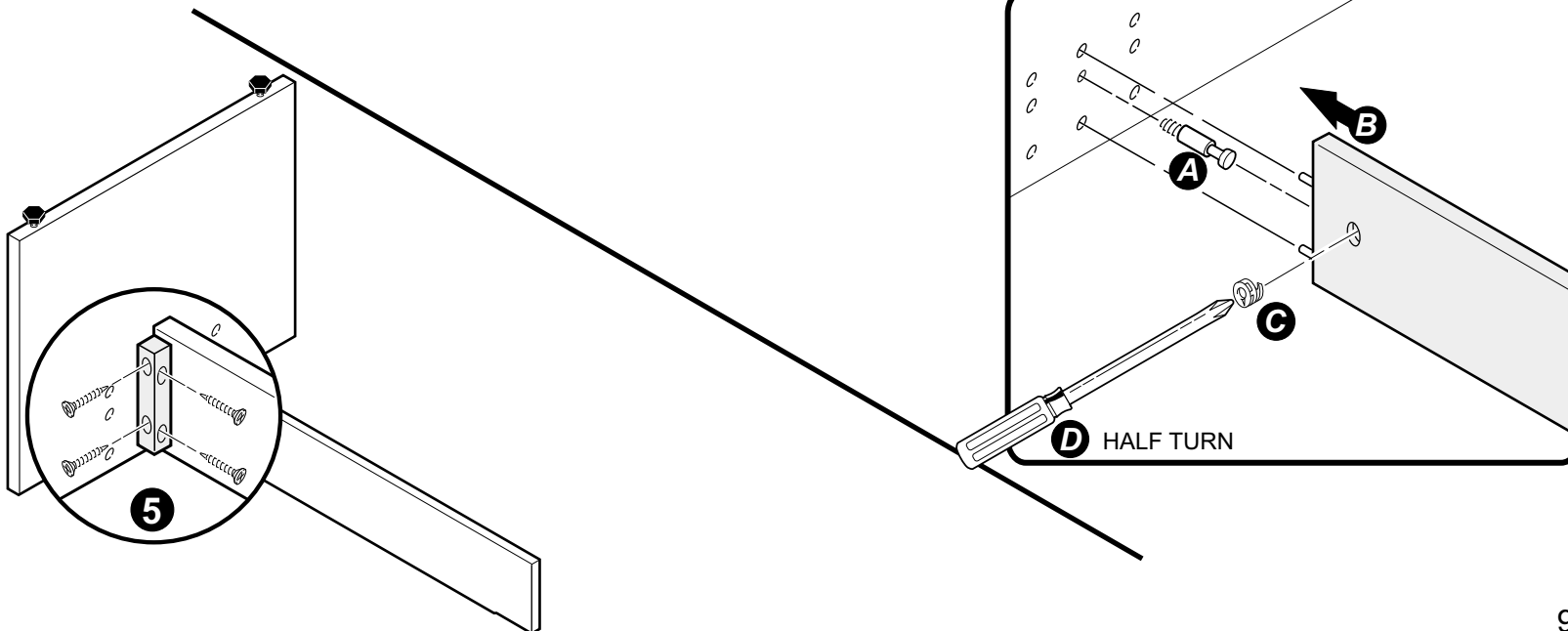
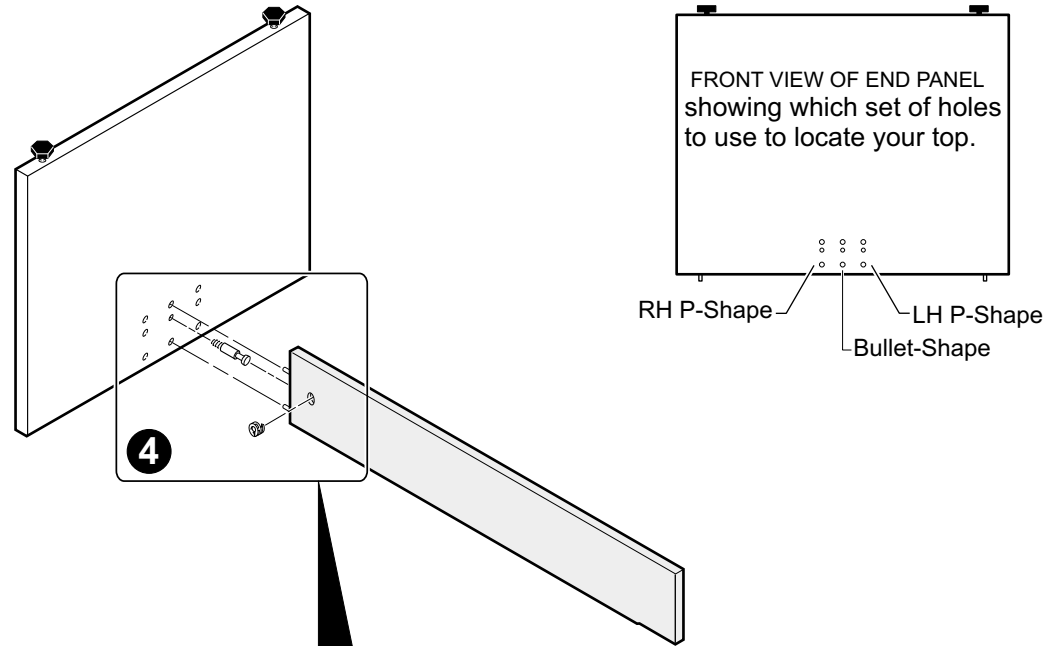
1. Carefully turn top over onto carpet.
2. Locate base by placing (3) bolt heads in top plate into circular rout in top.
3. Secure with (8) screws provided.



4. Assemble stretcher to end panel as shown.

- A. Install (1) steel dowel into appropriate hole in end panel.
- B. Position stretcher over steel dowel.
- C. Insert (1) cam lock.
- D. Secure with a half turn.

5. Install (1) wood cleat onto assembly.



6. Lower end panel assembly into position on top using locating dowels.

7. Install (2) support brackets onto end panel and top.

8. Secure stretcher to top with (1) support bracket.

9. Carefully turn unit over and level as needed.

