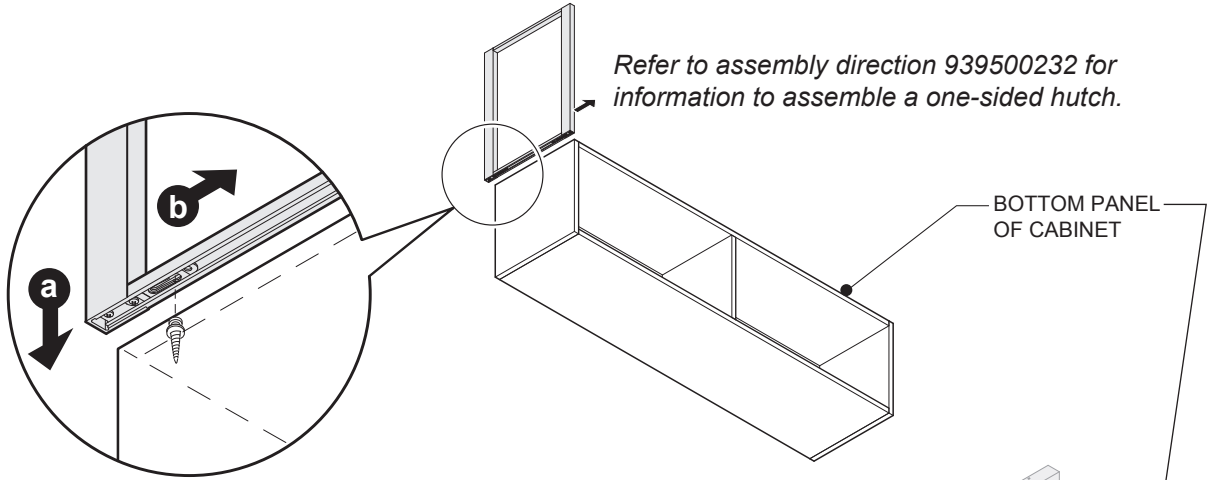


If you have a problem, question, or request, call your local dealer, or Steelcase Line 1 at 888.STEELCASE (888.783.3522) for immediate action by people who want to help you. (Outside the U.S.A., Canada, Mexico, Puerto Rico, and the U.S. Virgin Islands, call: 1.616.247.2500) Or visit our website: www.steelcase.com
© 2014 Steelcase Inc.
Grand Rapids, MI 49501
U.S.A.
Printed in U.S.A.

1. Carefully turn cabinet over with bottom side up onto carpet or other clean, soft material.

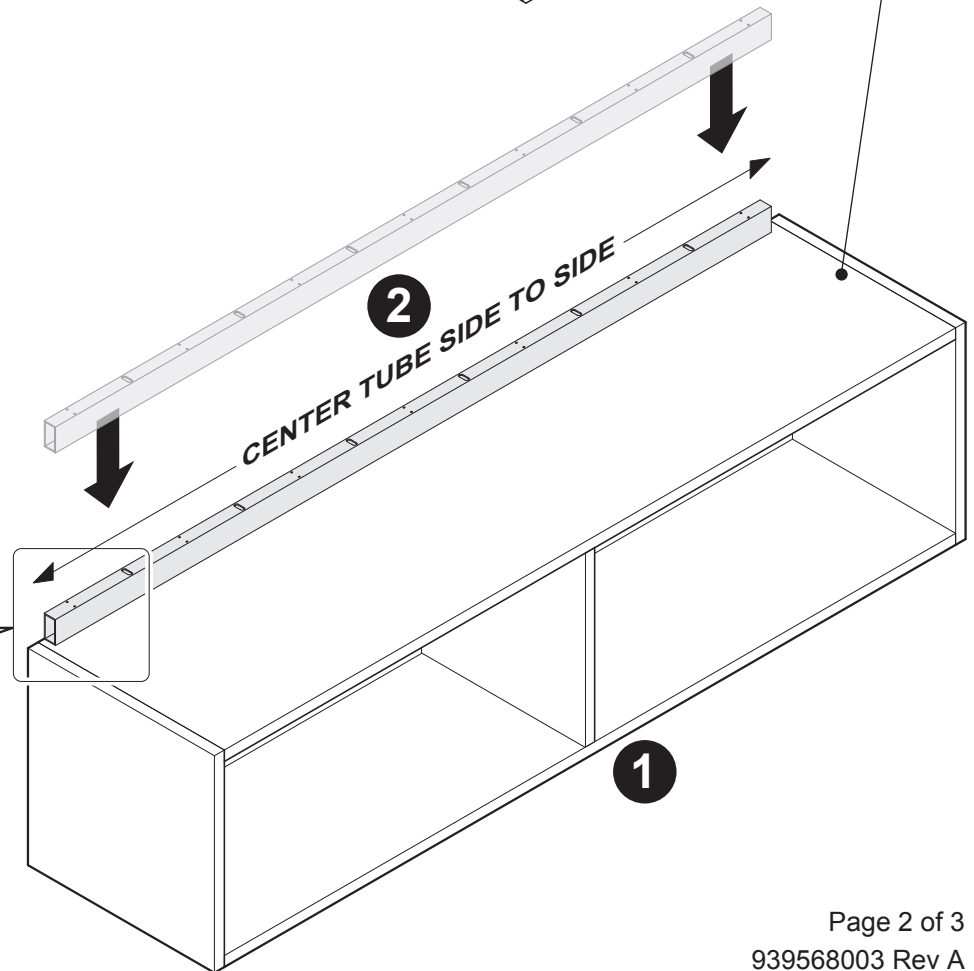
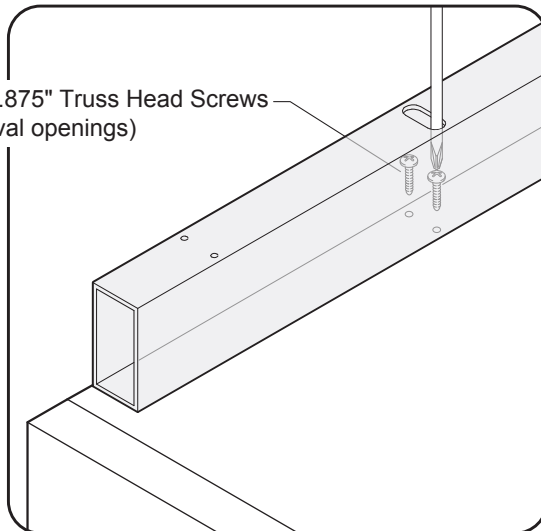
2. Attach tube flush with back panel as shown.

Note: *If hutch is two-sided or wall mounted, center tube side to side. If hutch is one-sided, attach single side frame first, then center tube in remaining space.*



TIP: Use a magnetic bit and find access through the oval openings.

#10-9 x .875" Truss Head Screws
(2 per oval openings)



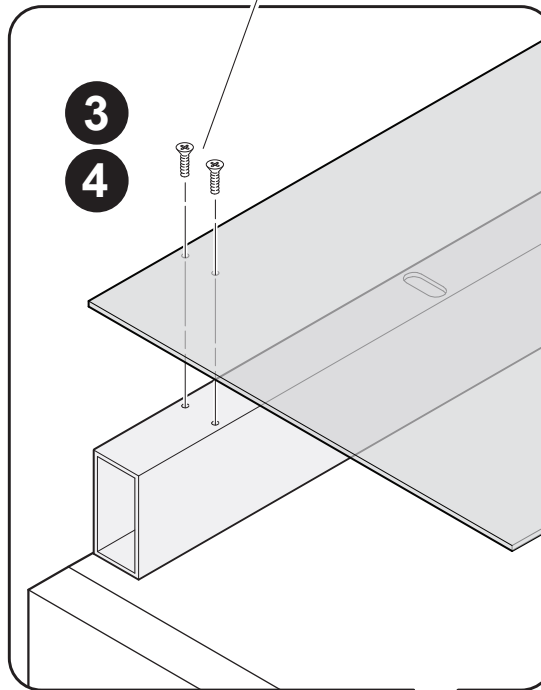
3. Position shelf so that sets of (2) holes in shelf are aligned with holes in frame.

4. Secure with screws provided.

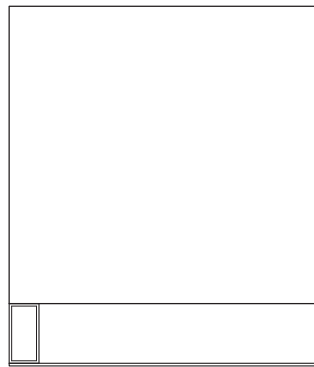
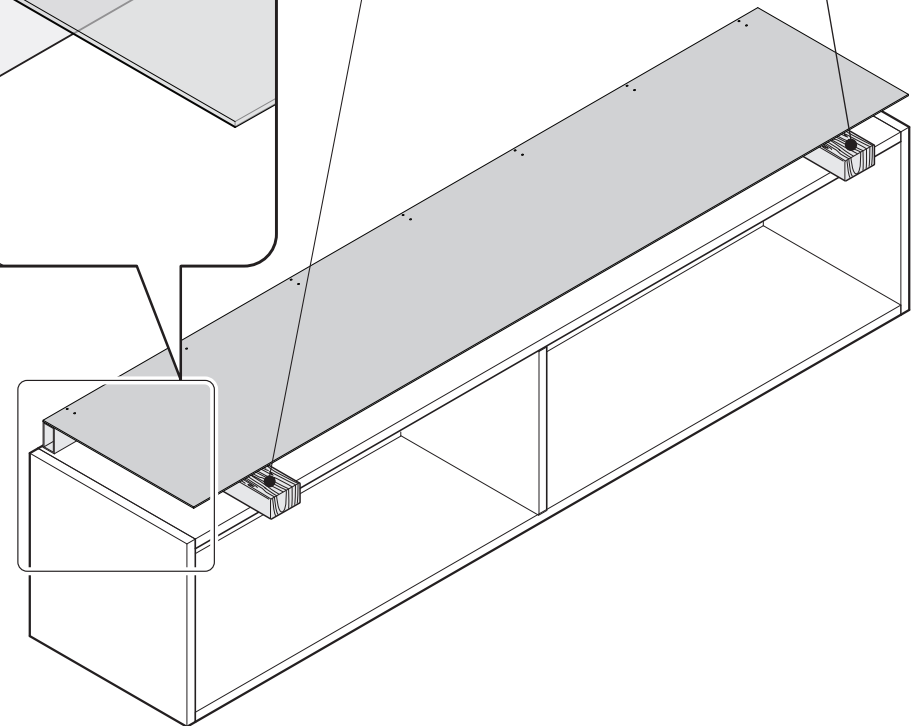
5. Carefully turn assembly over and place into position.

Note: if the unit will be against a window, you may want to place felt between the shelf, the tube, and the cabinet. Felt is not provided but is available through service parts.

#10-24 x .750"
Flat Head Screws
(fill all holes)



TIP: Place a shim under shelf to help when aligning and securing screws.



5 SIDE VIEW