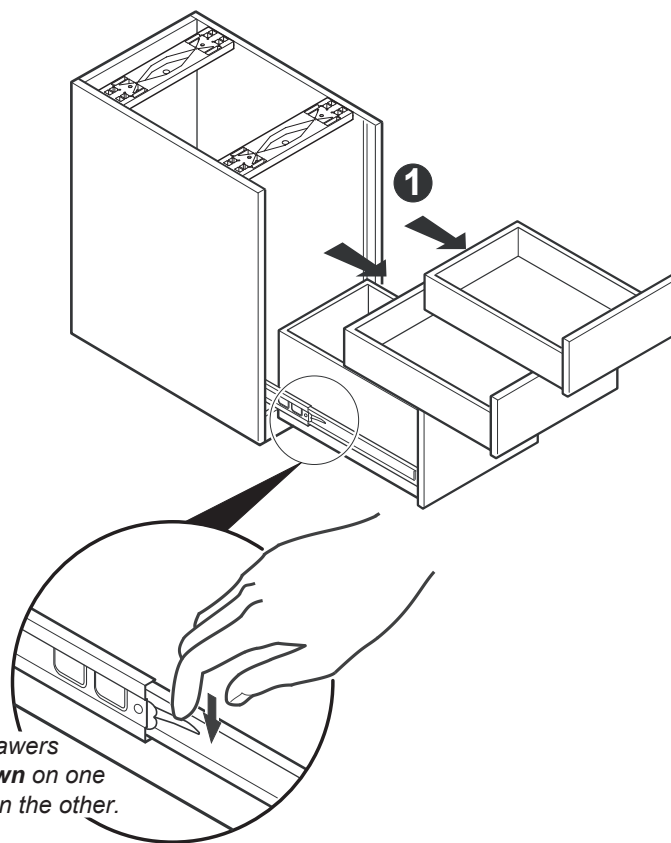


Instructions on flipping the detent on drawer suspensions to reduce the force required to open drawers.

- 1.** Unlock and remove drawers (if any) from pedestal(s).



*To remove drawers
push lever **down** on one
side, and **up** on the other.*

If you have a problem, question, or request, call your local dealer, or Steelcase Line 1 at 888.STEELCASE (888.783.3522) for immediate action by people who want to help you. (Outside the U.S.A., Canada, Mexico, Puerto Rico, and the U.S. Virgin Islands, call: 1.616.247.2500) Or visit our website: www.steelcase.com
© 2006 Steelcase Inc.
Grand Rapids, MI 49501
U.S.A.
Printed in U.S.A.

2. Locate detent on rear of slide, then remove.
Notice orientation of detent.

3. Flip detent over into orientation shown and install back into place.
This will allow the mating component to clear the detent.

