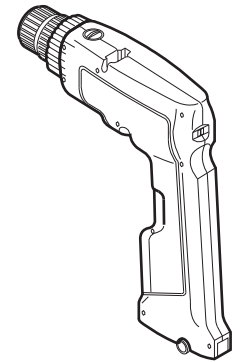
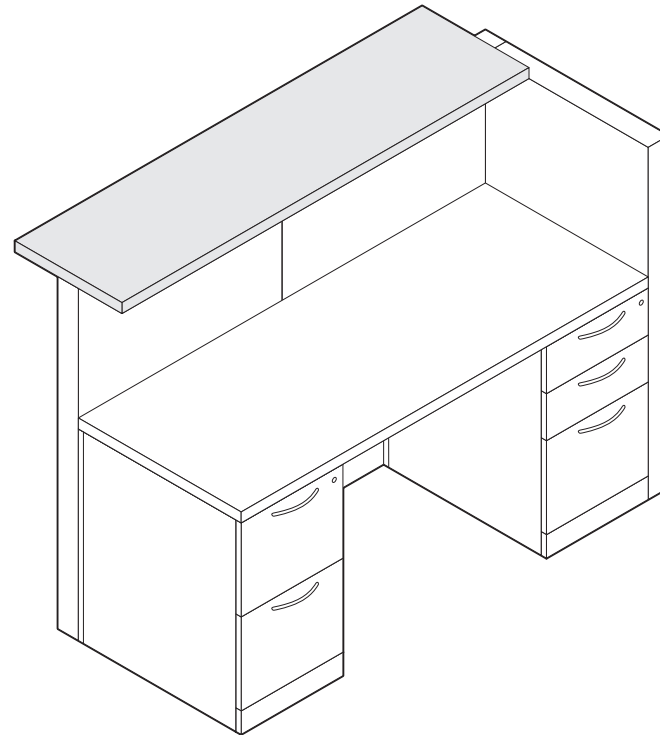
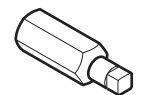


Elective Elements - Transaction Worksurface used on Montage® Panels



Bit Holder



#2 Square Drive Bit

If you have a problem, question, or request, call your local dealer, or Steelcase Line 1 at **888.STEELCASE** (888.783.3522) for immediate action by people who want to help you.

(Outside the U.S.A., Canada, Mexico, Puerto Rico, and the U.S. Virgin Islands, call: 1.616.247.2500)

Or visit our website: www.steelcase.com

© 2001 Steelcase Inc.
Grand Rapids, MI 49501
U.S.A.

Printed in U.S.A.

Steelcase

1. Attach two (2) brackets to the transaction top.

2. Insert the hooks on the brackets into the Montage frame (2a) and rotate into place (2b).

3. Install remaining brackets.

Note: 60" tops come with a third pair of brackets to provide improved support in the center of the transaction top.

