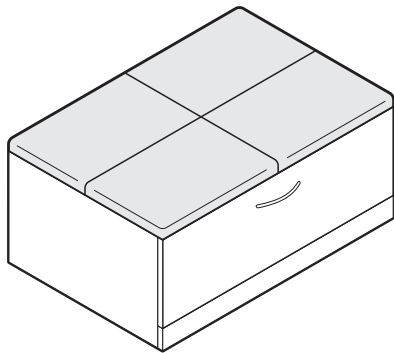
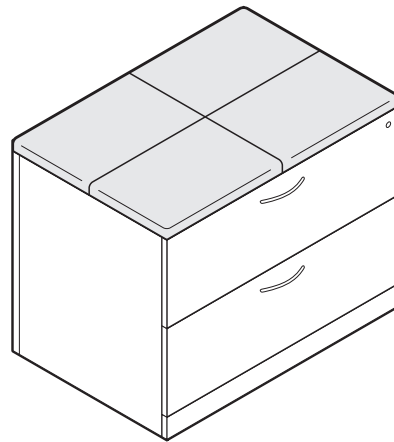


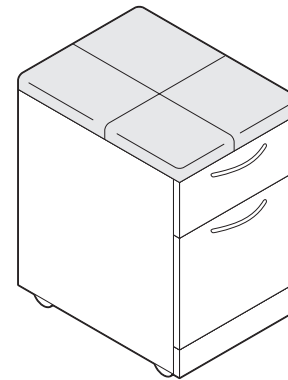
# Elective Elements or Universal Laminate - Cushion Tops used on Lateral Files and Mobile Pedestals



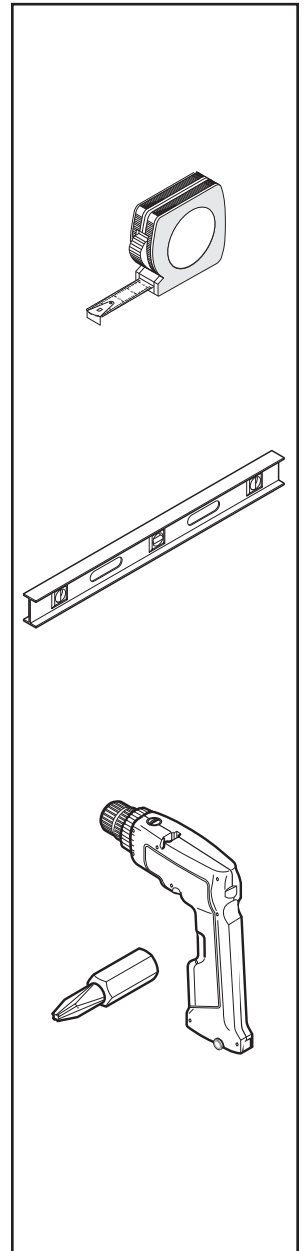
Cushion Top  
- on a One-High Lateral File



- on a  
Two-High Lateral File



- on a Mobile Pedestal



**NOTICE**

**Steps for correct installation of soft close drawers**

- ❶ Pull LH and RH suspensions to full extents
- ❷ Find and disengage rear posts, LH and RH
- ❸ Align drawer suspensions and install

*Soft close mechanism can be damaged if this step is skipped.*

RH post is shown here in yellow

1134607001

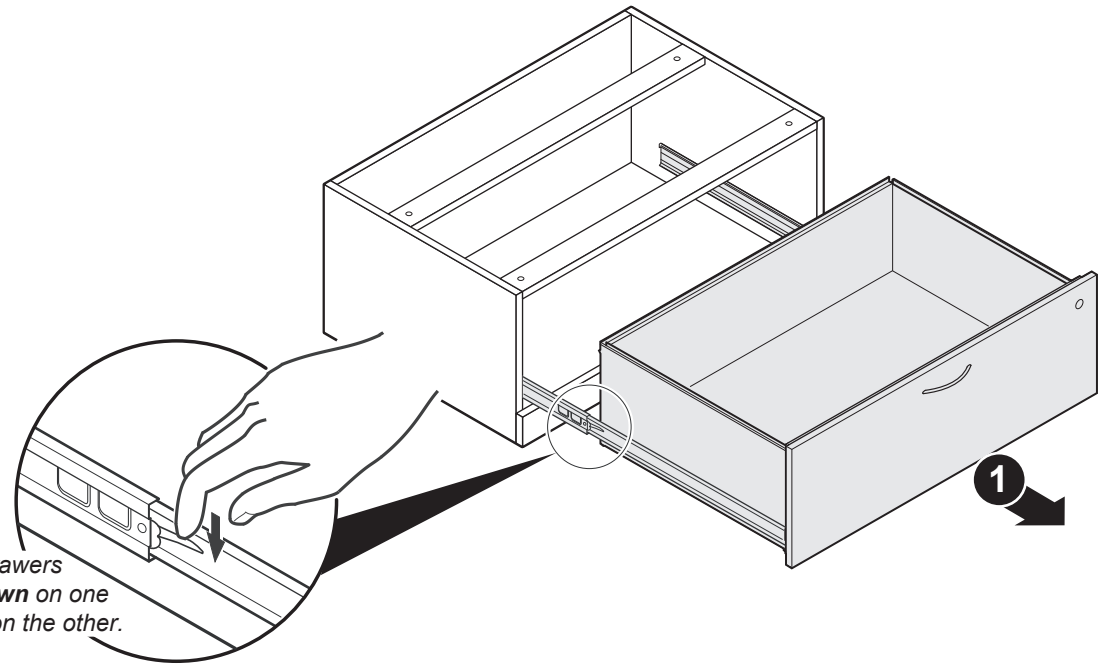
If you have a problem, question, or request, call your local dealer, or Steelcase Line 1 at 888.STEELCASE (888.783.3522) for immediate action by people who want to help you. (Outside the U.S.A., Canada, Mexico, Puerto Rico, and the U.S. Virgin Islands, call: 1.616.247.2500) Or visit our website: [www.steelcase.com](http://www.steelcase.com)  
 © 2018 Steelcase Inc.  
 Grand Rapids, MI 49501  
 U.S.A.  
 Printed in U.S.A.

## Cushion Top on a Lateral File

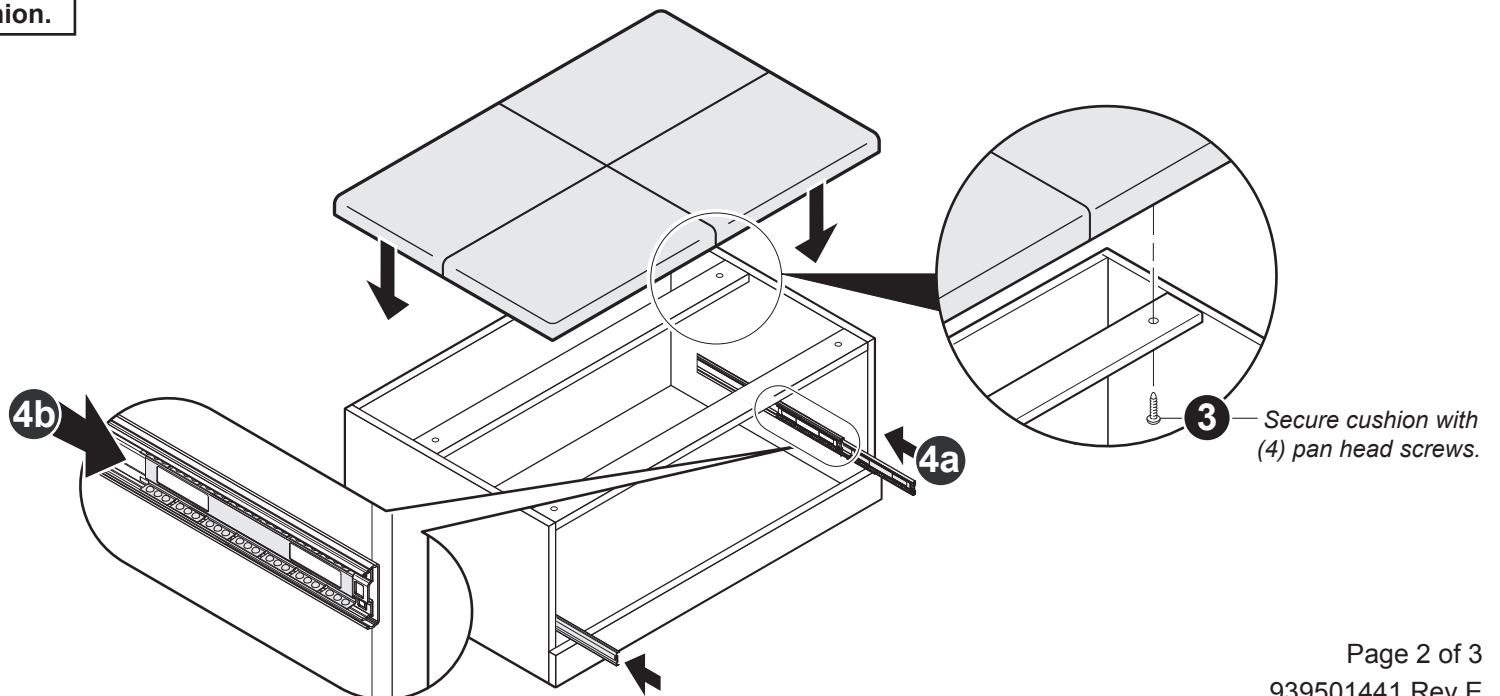
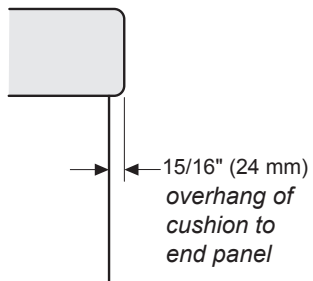
1. Unlock and remove one or two drawers.
2. Position cushion onto cabinet as shown.
3. Secure cushion with (4) screws provided.
4. Reinstall drawers into cabinet.

**NOTE: Universal laterals are required to have a worksurface under the cushion.**

To remove drawers push lever **down** on one side, and **up** on the other.

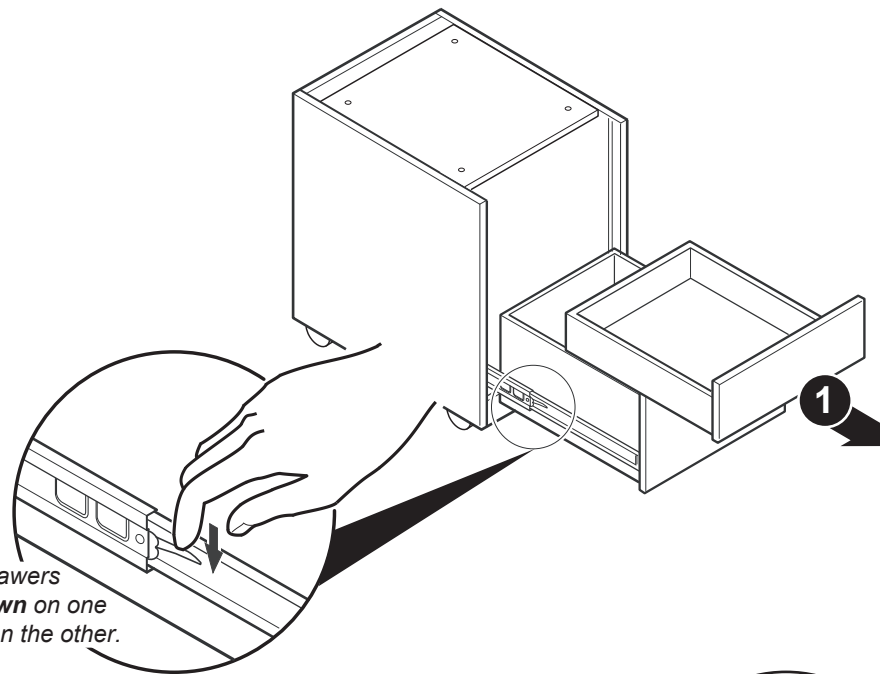


### 2 SIDE VIEW



## Cushion Top on a Mobile Pedestal

1. Unlock and remove one or two drawers.
2. Position cushion onto cabinet, making sure that there is an equal amount of overhang and the correct overhang in the front as shown in side view.
3. Secure cushion with (4) screws provided.
4. Reinstall drawers into cabinet, making sure that bearing race is pulled to the front of the slide.



### 2 SIDE VIEW

