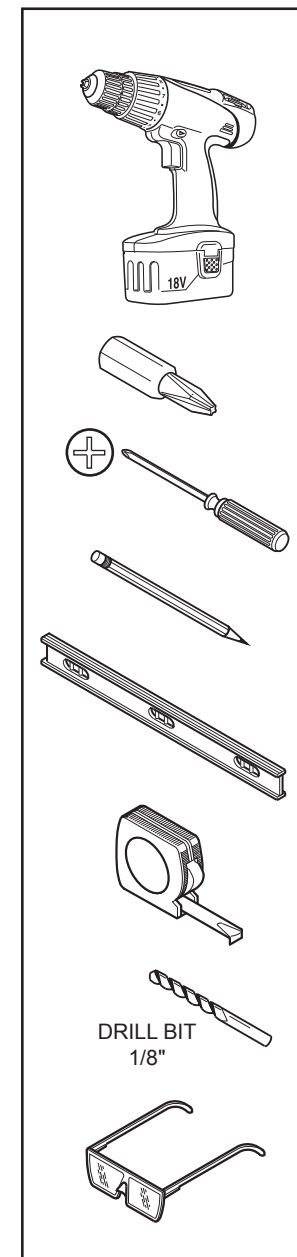


Slip-fit Support

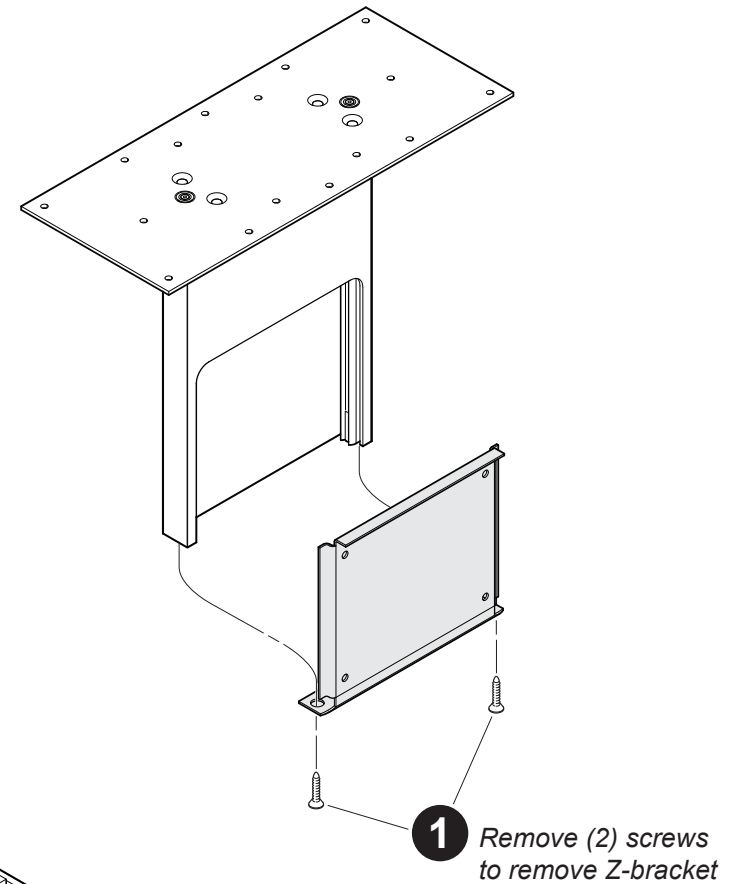
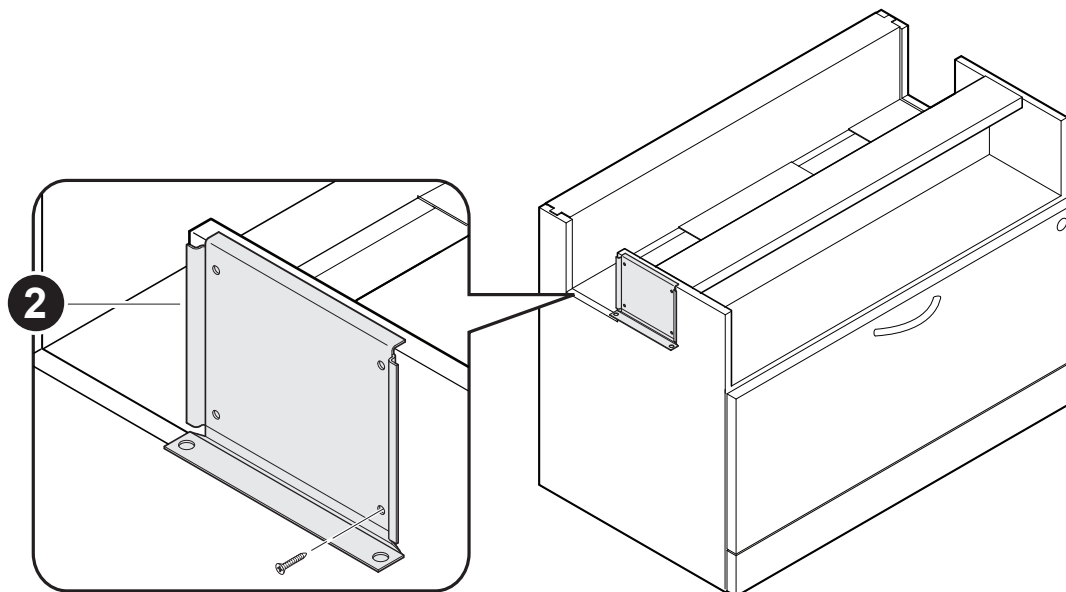


If you have a problem, question, or request, call your local dealer, or Steelcase Line 1 at 888.STEELCASE (888.783.3522) for immediate action by people who want to help you. (Outside the U.S.A., Canada, Mexico, Puerto Rico, and the U.S. Virgin Islands, call: 1.616.247.2500) Or visit our website: [www.steelcase.com](http://www.steelcase.com)  
© 2004 Steelcase Inc.  
Grand Rapids, MI 49501  
U.S.A.  
Printed in U.S.A.

1. Remove Z-bracket from Slip-fit Support.

2. Install Z-bracket onto pedestal. The preferred location is centered on the end panel.

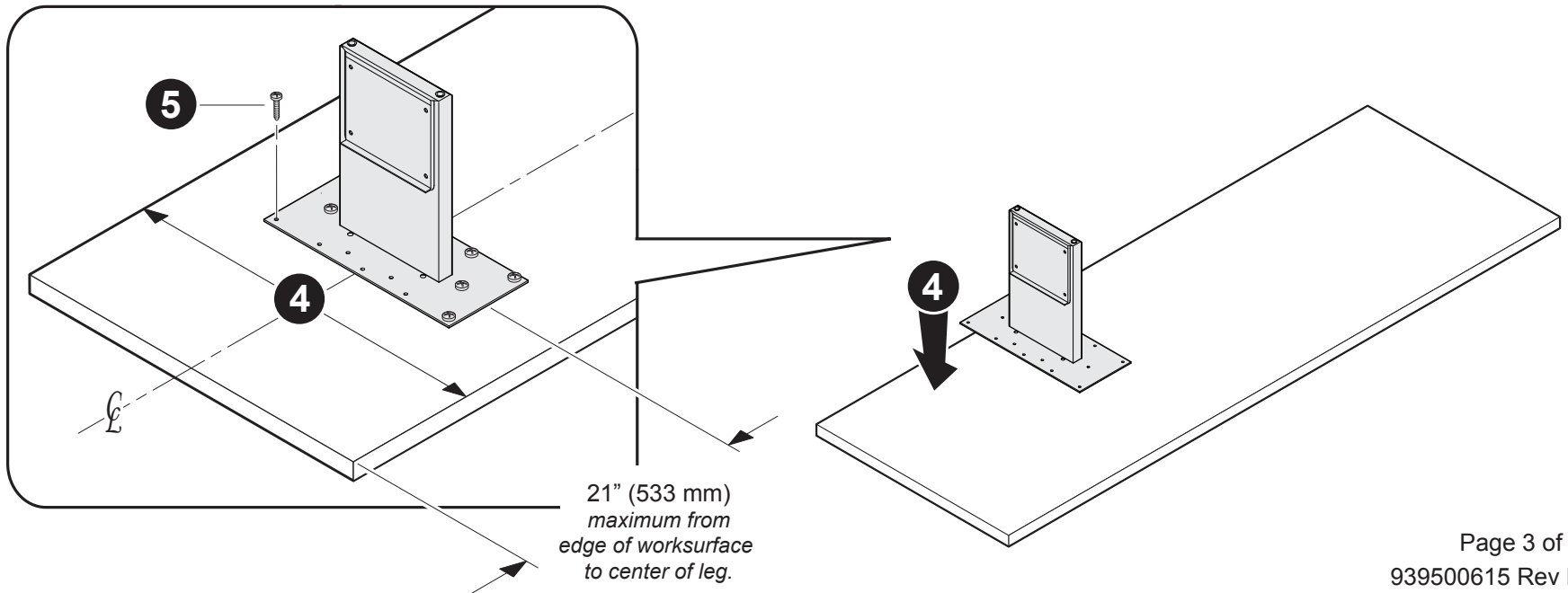
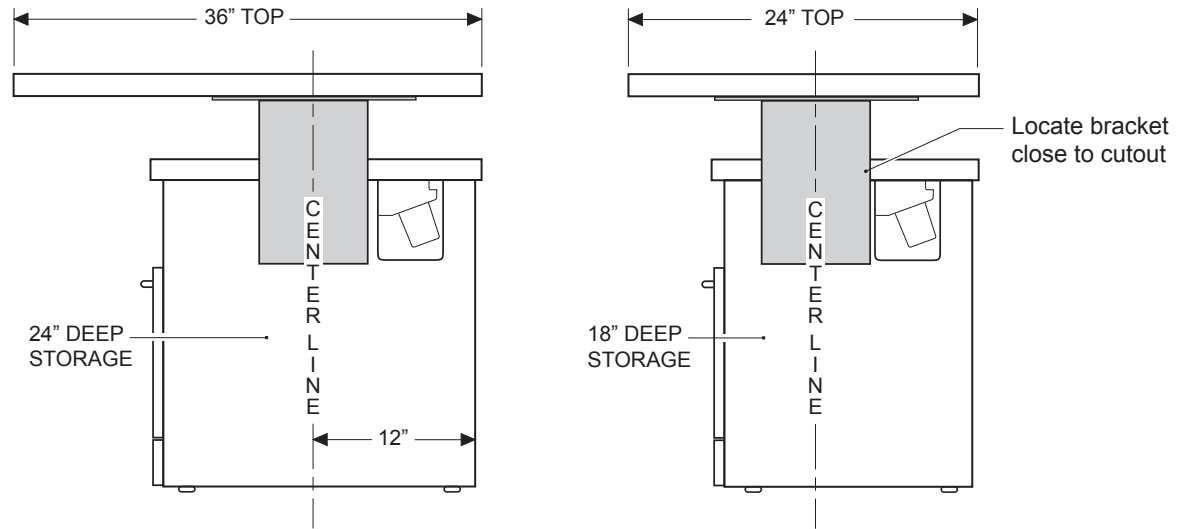
**NOTE: move bracket 3" (76 mm) forward on 18" deep units with cutout to allow clearance for cable routing if needed.**



3. Turn worksurface over onto clean, soft surface.

4. Determine location of support.  
**NOTE: support must be located within 21" from end of worksurface. It may be located 6" either direction from centerline for 24" deep storage, or 3" either direction from centerline for 18" deep.**

5. Secure with screws provided.



**6.** Carefully position worksurface assembly over pedestal and lower into place.

**7.** Secure slip-fit support back onto Z-bracket using the (2) screws that were removed in step 1.

**8.** Adjust leveling glides if necessary.

