

Elective Elements - Wall Mounted Overhead Storage Cabinet Non-Seismic Applications*

* The building's Engineer of Record must be consulted to determine if there are any seismic requirements.

⚠ WARNING

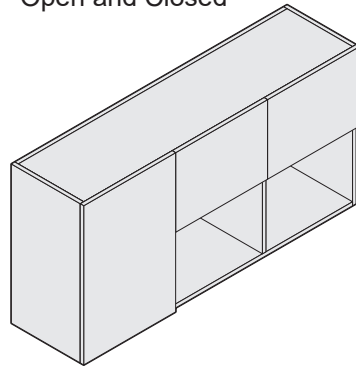


CRUSH HAZARD

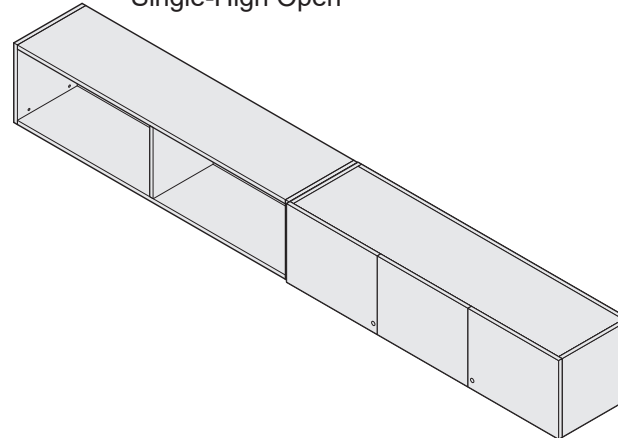
Failure to properly secure cabinet could result in personal injury. Be sure to install ALL fasteners provided in both the back panel and top panel.

Read the entire Assembly Direction for your product mounting configuration before beginning installation. Obtain assembly directions for Overhead Storage Cabinets from your local Steelcase dealer or by calling 1-888-783-3522.

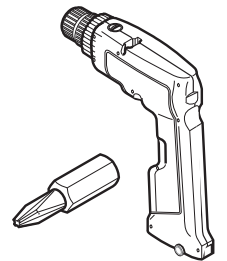
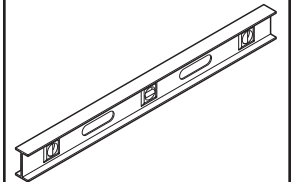
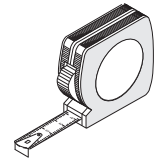
Double-High Combination
Open and Closed



Single-High Open



Single-High with Doors



If you have a problem, question, or request, call your local dealer, or Steelcase Line 1 at **888.STEELCASE** (888.783.3522) for immediate action by people who want to help you. (Outside the U.S.A., Canada, Mexico, Puerto Rico, and the U.S. Virgin Islands, call: 1.616.247.2500) Or visit our website: www.steelcase.com

© 2004 Steelcase Inc.
Grand Rapids, MI 49501
U.S.A.

Printed in U.S.A.

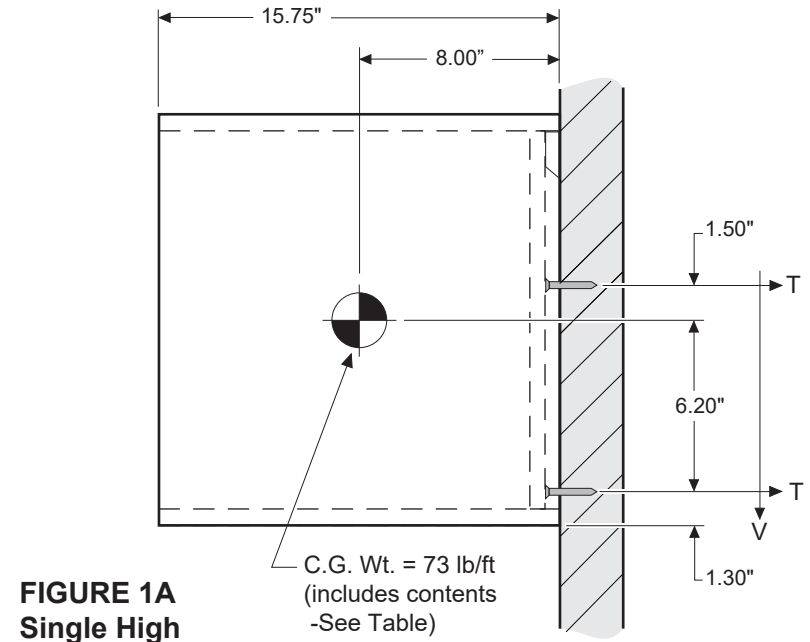
VERIFY WALL CONSTRUCTION

CAUTION! Adequate wall construction is required to support the weight of loaded cabinets.

Minimum wall construction must be capable of supporting 73 lb./ln. ft. as shown in Figures 1A and 1B.

TABLE 1

CABINET WIDTH (IN)	# OF STUDS	WEIGHT (LBS)
30"	1	183
36"	2	219
42"	2	256
48"	2	292
54"	2	329
60"	2	368
66"	3	402
72"	3	439
78"	3	475
84"	3	511
90"	3	535
96"	3	578



**FIGURE 1A
Single High**

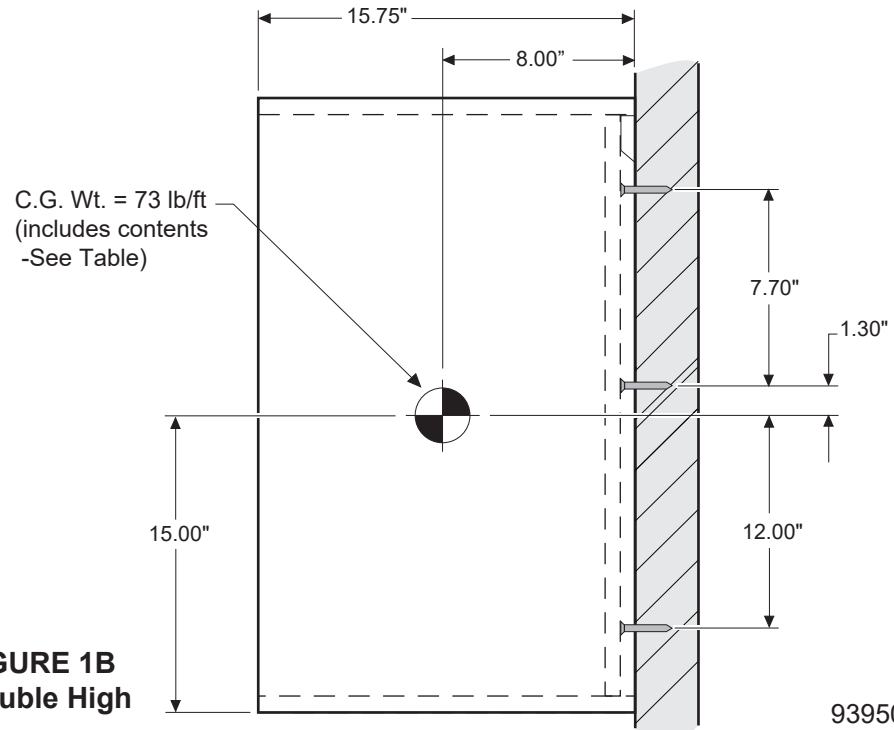
MINIMUM REQUIRED WALL CONSTRUCTIONS:

Drywall with Metal Studs

- Must be at least 25 ga. (0.018" min. thk.) 33 ksi steel studs 1.5" x 3.5"
- Studs on maximum 24" centers
- Must be at least 5/8" thick Type X gypsum drywall
- #6 x 1-1/4" drywall screws on 12" centers

Drywall with Wood Studs

- Stud grade SPF, DF-L or Hem-Fir 1.5" x 3.5"
- Studs on 24" centers
- Must be at least 5/8" thick Type X gypsum drywall
- #6 x 1-1/4" drywall screws on 12" centers






**FIGURE 1B
Double High**

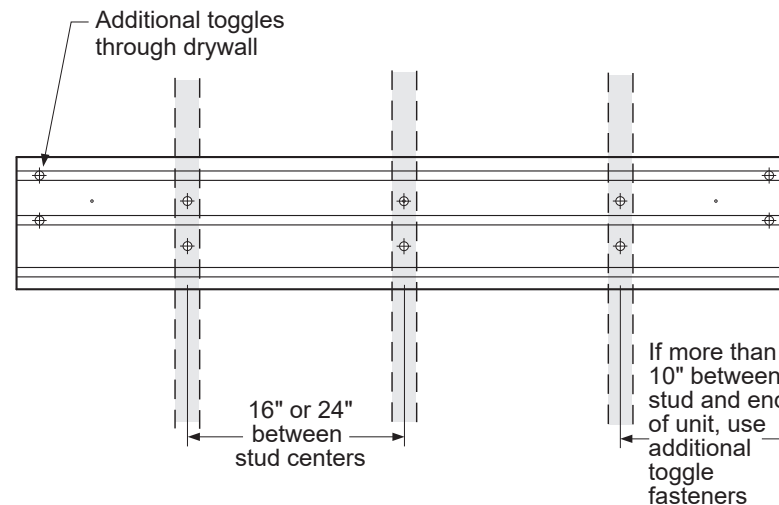
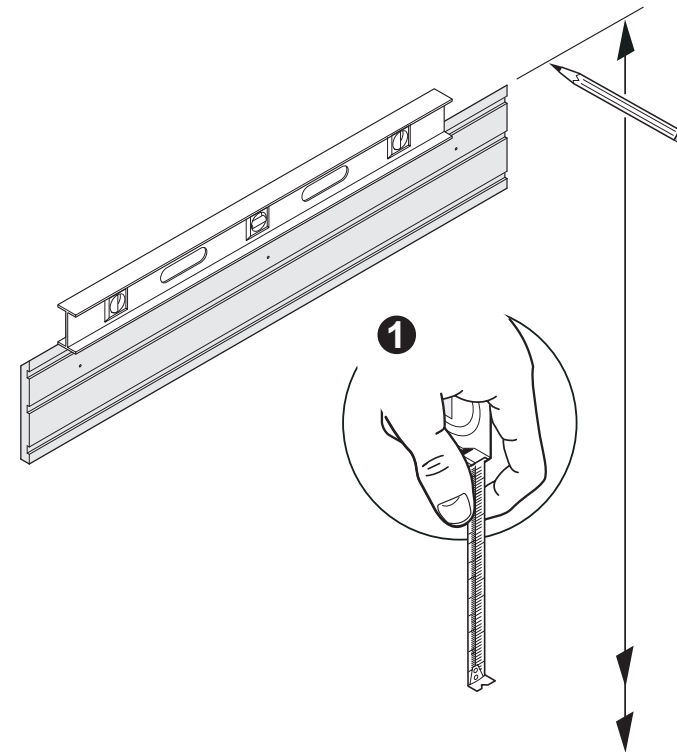
INSTALL MOUNTING PANEL TO THE WALL

1. Determine desired height of unit from the floor.
Note: if a tackboard is to be used, be sure to allow for spacing.

2. Attach the mounting plate to the wall.
Follow the fastener manufacturer's instructions.
NOTICE: Mounting hardware is to be specified/verified by the Engineer of Record or approved by AHJ.

The following hardware is **NOT** supplied with the product, but is commonly used for attachment to stud and wallboard construction.

Hardware	
	ITEM
	Toggle Bolt Anchor
	Toggle Bolt (2-1/2" - 3" Long)
	#10 x 3" Wood Stud Screw



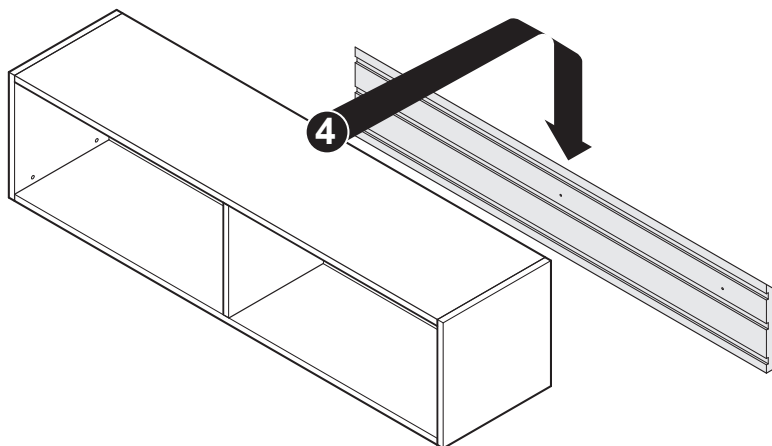
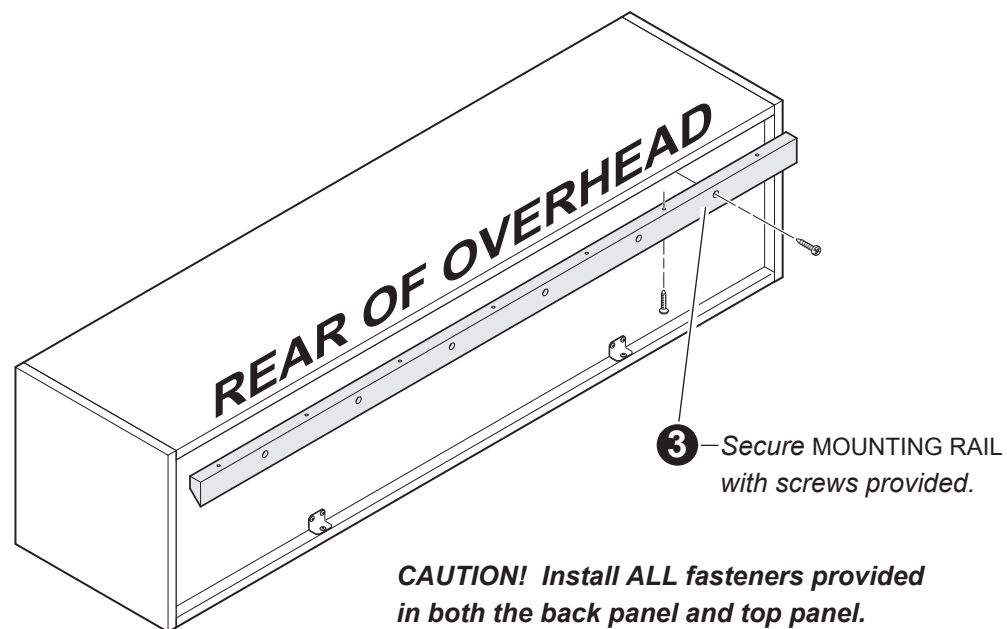
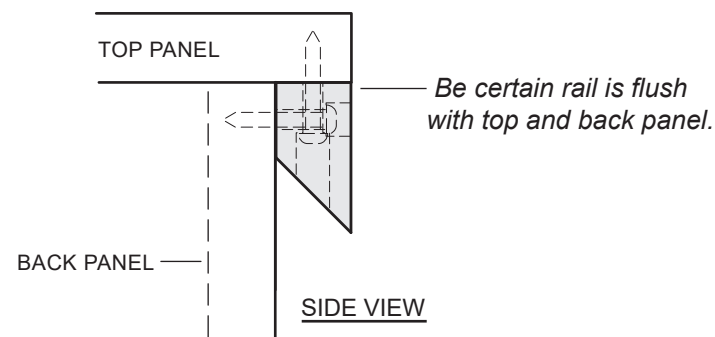
NOTE: Toggles through drywall are a requirement under this condition.

- 3.** Install mounting rail onto the back of the cabinet as shown.

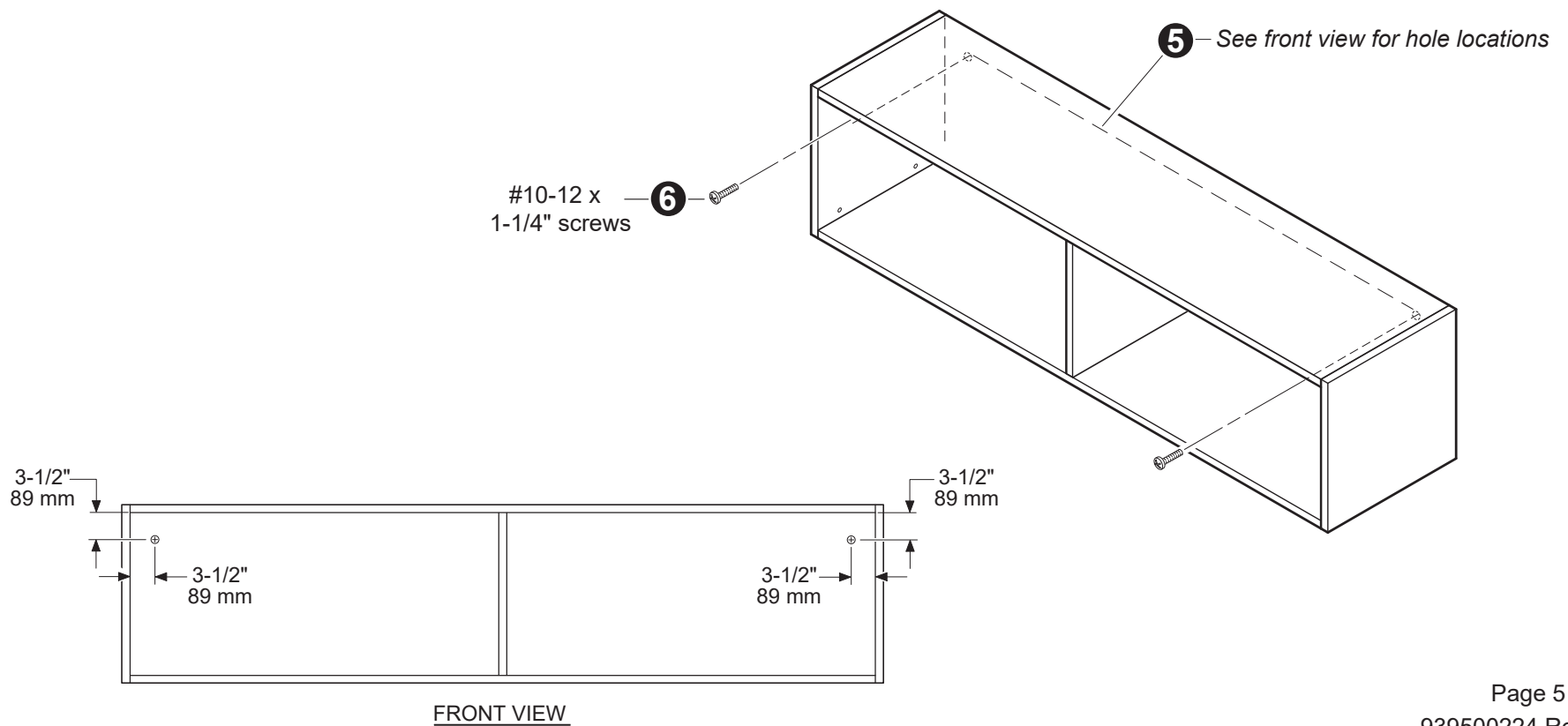
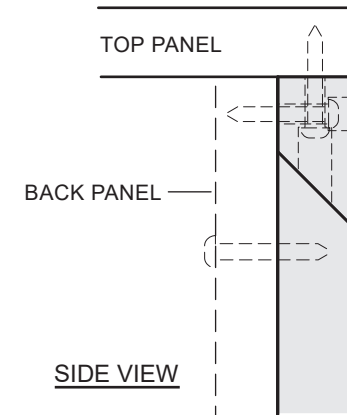
CAUTION! Install ALL fasteners provided in both the back panel and top panel. Failure to install all fasteners could result in cabinet falling off the wall and causing personal injury.

- 4.** Carefully lift the cabinet into position above the mounting plate, then lower into place until it is securely seated.

CAUTION! Heavy object, requires two or more persons.

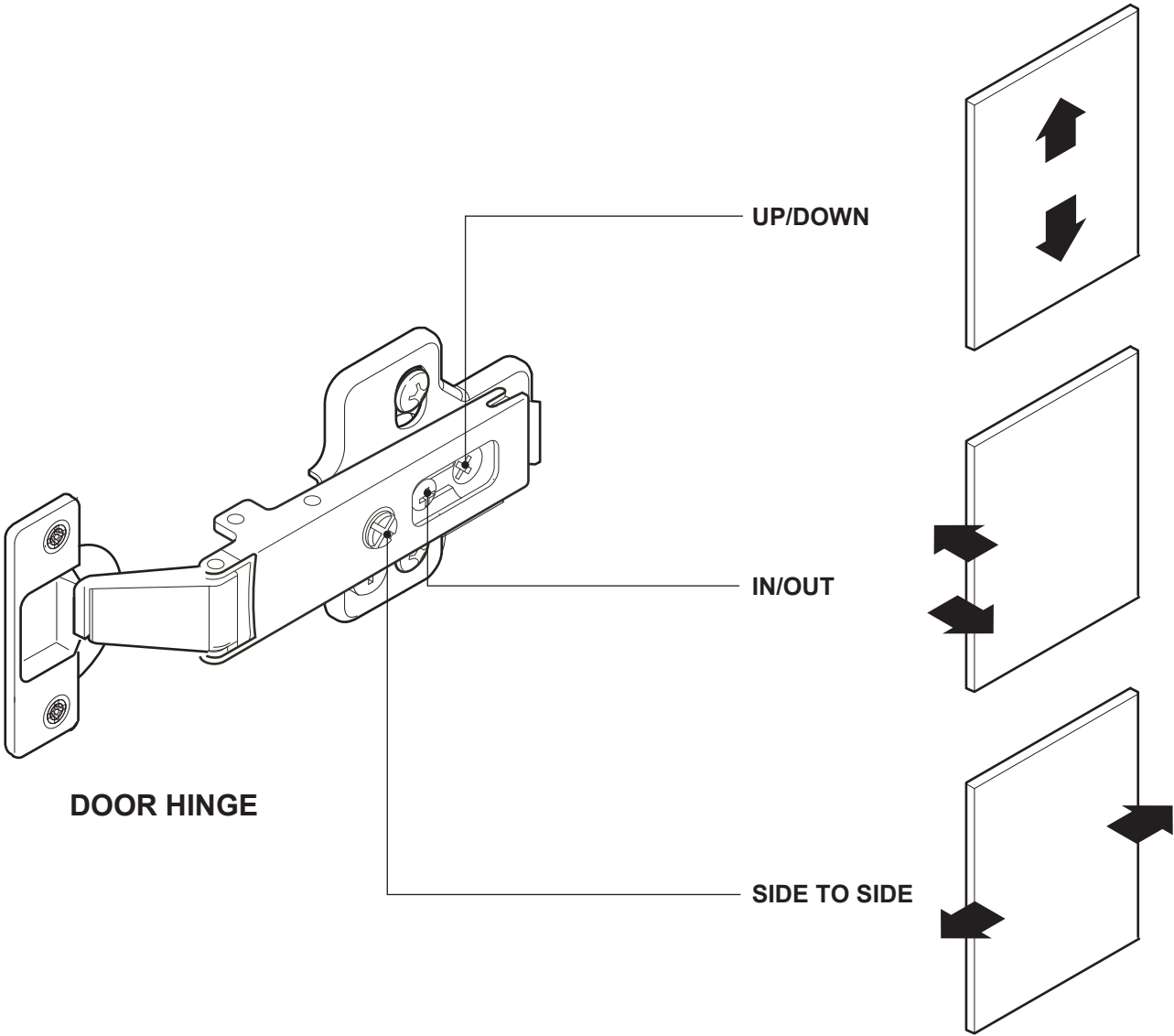


5. Locate and drill (2) through holes in the back panel of cabinet.
6. Secure unit to mounting panel with (2) screws as shown.



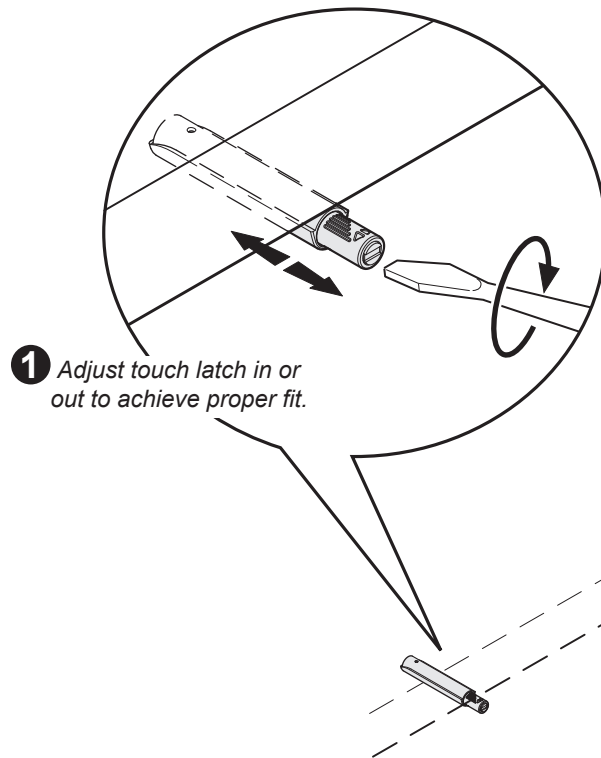
HINGE ADJUSTMENT

Adjust doors. A #2 screwdriver is recommended for adjusting hinge.

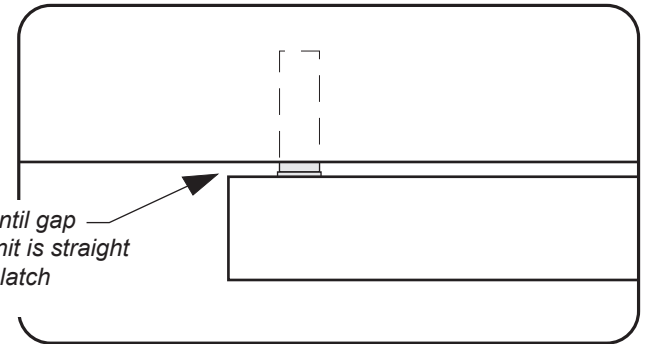


TOUCH LATCH ADJUSTMENT

1. Touch latch may be adjusted in or out by turning with a flat blade screwdriver or with fingertips.



Adjust touch latch until gap between door and unit is straight and even and touch latch functions properly.



TOP VIEW

