

# Elective Elements or Universal Laminate - Wall Mounted Organizer and Open Shelf

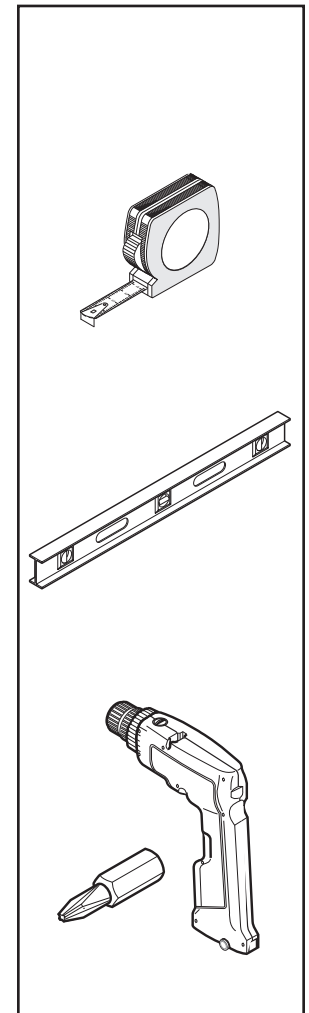
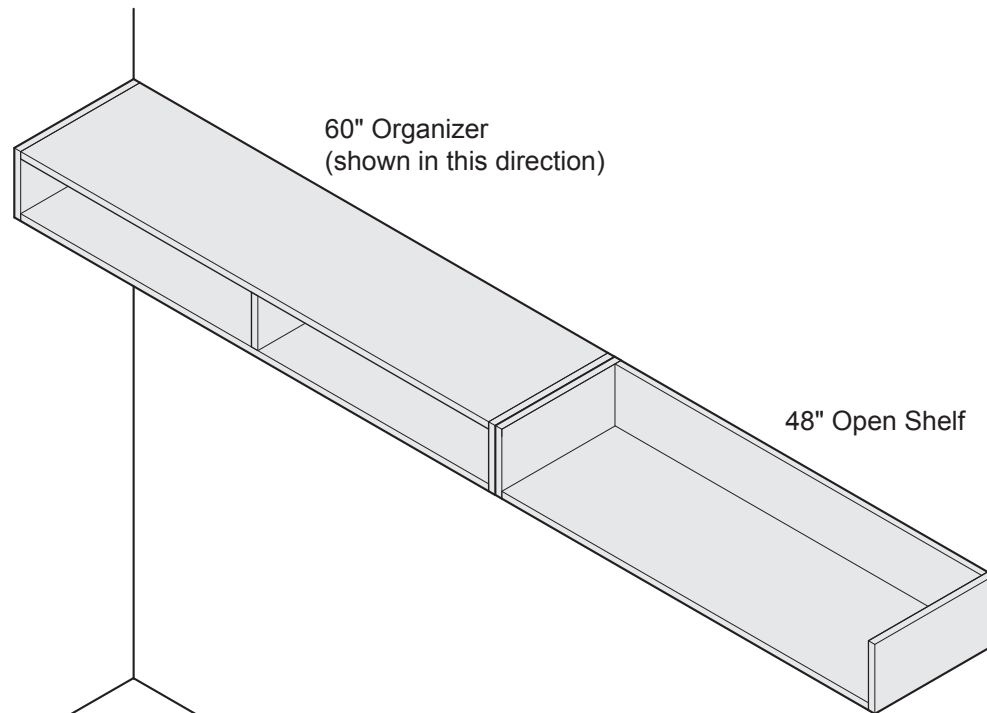
**⚠ WARNING**



**CRUSH HAZARD**

Failure to properly secure cabinet could result in personal injury. Be sure to install ALL fasteners as prescribed.

Read the entire Assembly Direction for your product mounting configuration before beginning installation. Obtain assembly directions for Wall Mounted Organizer and Open Shelf from your local Steelcase dealer or by calling 1-888-783-3522.

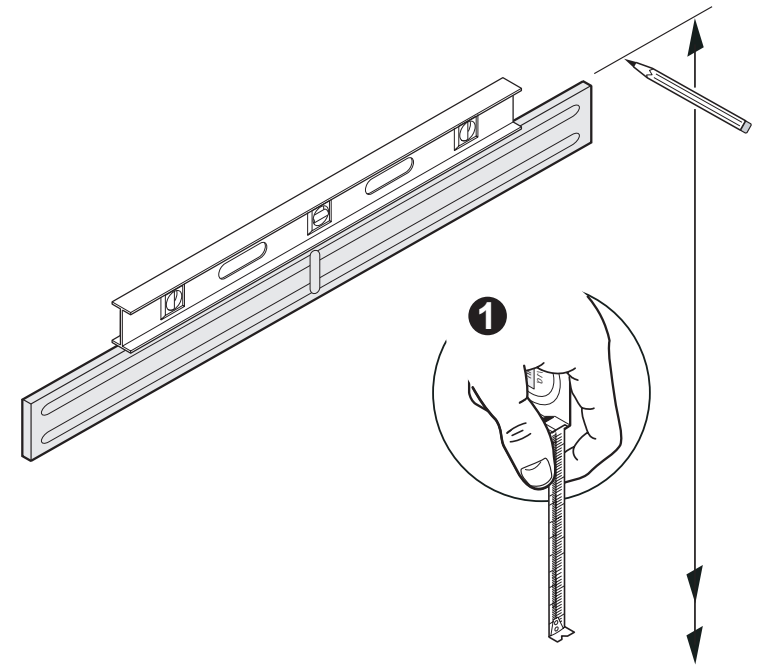


If you have a problem, question, or request, call your local dealer, or Steelcase Line 1 at 888.STEELCASE (888.783.3522) for immediate action by people who want to help you. (Outside the U.S.A., Canada, Mexico, Puerto Rico, and the U.S. Virgin Islands, call: 1.616.247.2500) Or visit our website: [www.steelcase.com](http://www.steelcase.com)  
© 2017 Steelcase Inc.  
Grand Rapids, MI 49501  
U.S.A.  
Printed in U.S.A.

## INSTALL HANGER CLEAT TO THE WALL

1. Determine desired height of unit from the floor.  
**Note: if a tackboard is to be used, be sure to allow for spacing.**
- 2 Use the following guidelines to mount the hanger cleat to your particular type of wall.

UNIT SIZE	MINIMUM # OF STUDS TO BE USED
30"	1
36"	2
42"	2
48"	2
54"	2
60"	2
66"	3
72"	3
78"	3
84"	3
90"	4
96"	4



## CONCRETE OR BLOCK WALL INSTALLATION

Plastic wall anchors are recommended ("Expandet" brand or equivalent) to secure mounting plate to wall. These are not provided.

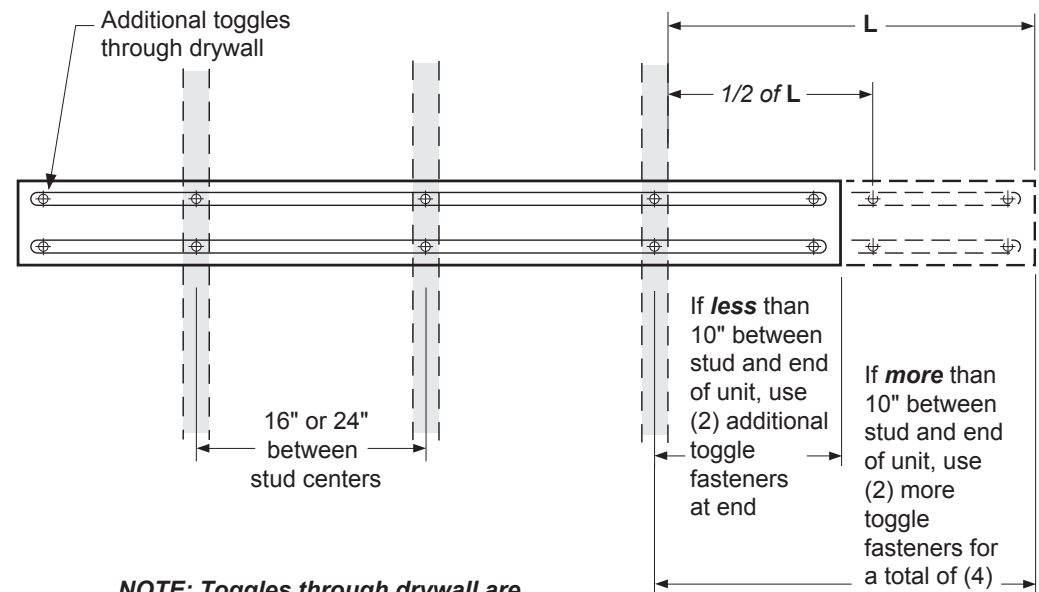
## STEEL WALL INSTALLATION

Punch and drill holes in wall. Secure mounting plate to wall using appropriate fasteners (not provided).

## DRYWALL OR PLASTERED WALLS (FOR WOOD OR METAL STUDS)

When mounting units to hollow wall construction the following conditions must be met:

- Drywall must be at least 5/8" thick and attached securely to studs with screws.
- Studs must be at least 2" x 4" for wood, and 26 ga. or thicker for metal.
- Studs must be 24" on center, maximum.
- Secure mounting plate directly to wall by using 1/4" dia. Toggler brand (or equivalent) hollow wall fasteners with flat head bolts as per manufacture's recommendations. These are not provided.
- Two Toggles per stud are required.
- Toggles must penetrate steel studs when steel studs are used.

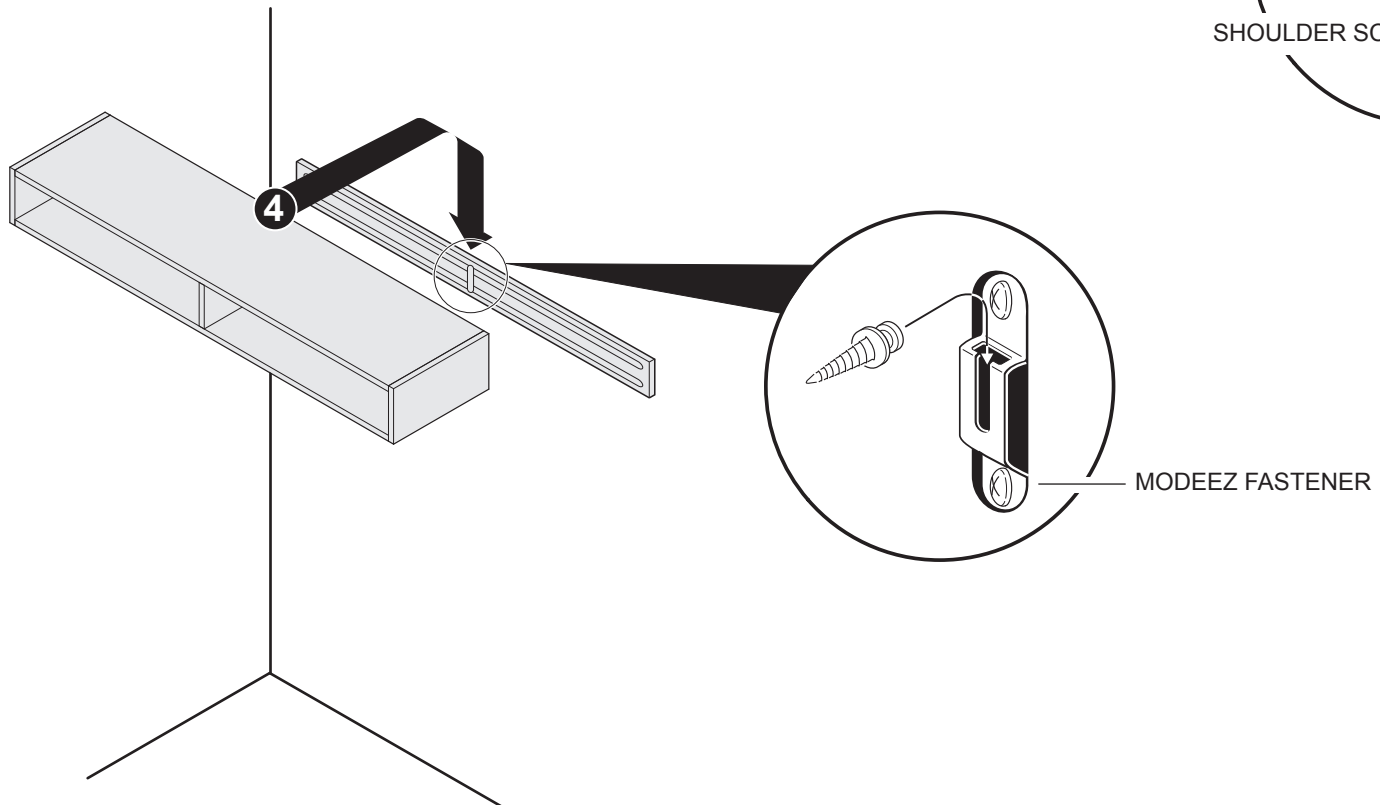
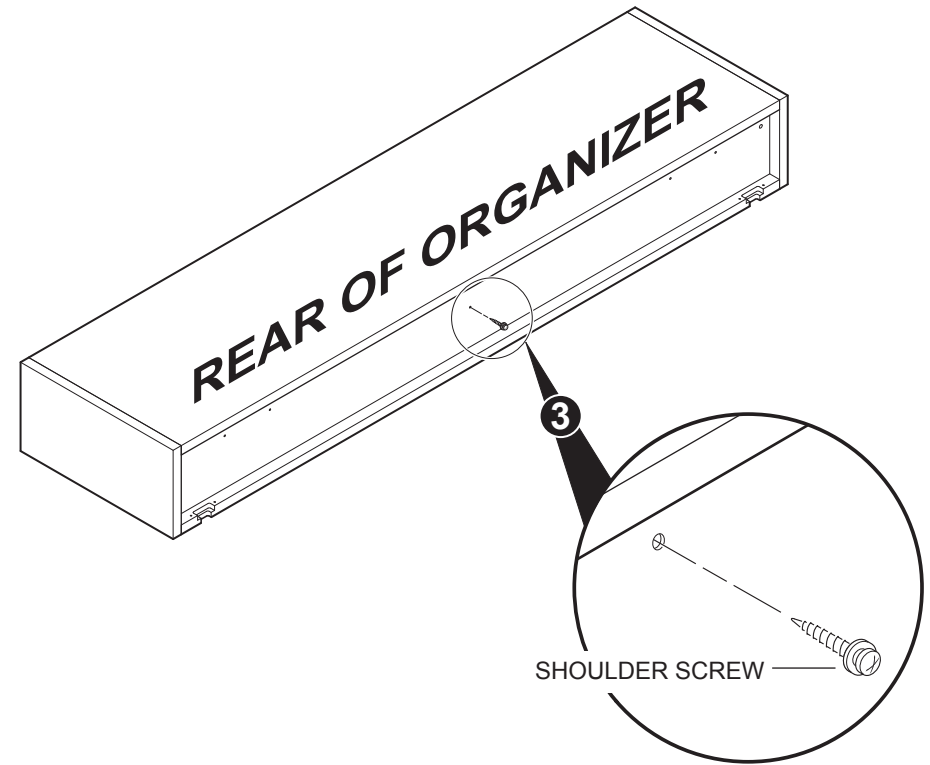


**NOTE: Toggles through drywall are a requirement under this condition.**

**3.** Install shoulder screws into rear panel of organizer (there may be one or three depending on size of unit).

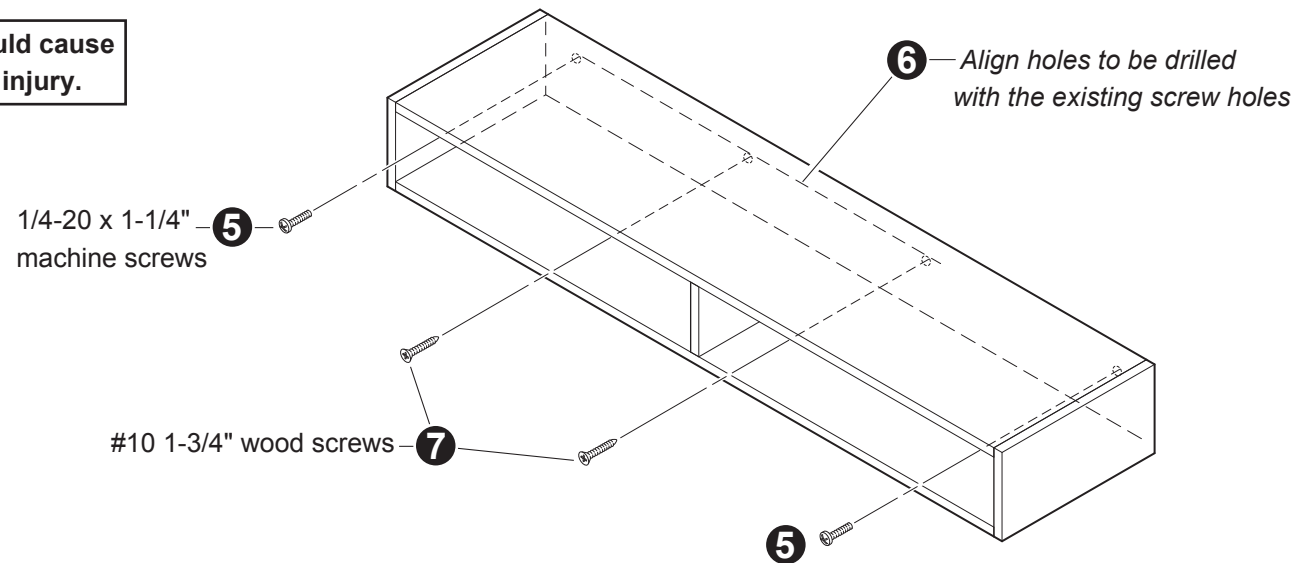
**4.** Carefully lift the organizer into position above the hanger cleat so that the shoulder screw(s) are aligned with modeez fastener(s) in the cleat, then lower into place as shown.

**CAUTION: Organizer is not securely attached, proceed immediately to step 5.**



5. Secure each end with a machine screw as shown.
6. Locate and drill through holes in the back panel of Organizer. Repeat for approximately every 20" of length.
7. Secure unit to cleat with wood screws as shown.

**WARNING: Failure to install ALL fasteners could cause the unit to fall off the wall and cause personal injury.**



FRONT VIEW

