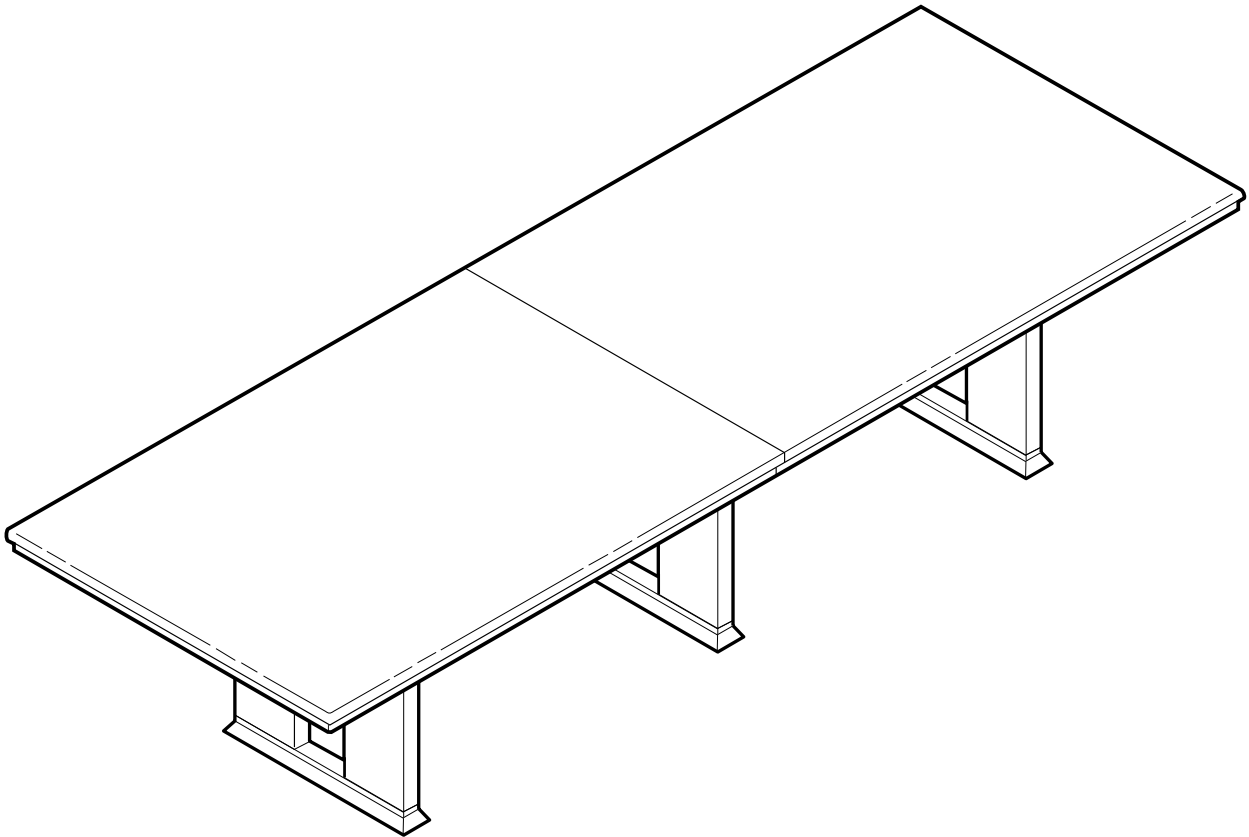
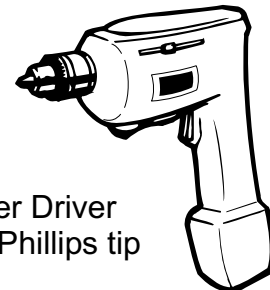
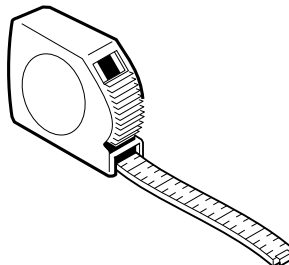


144" Broadmoor Tables

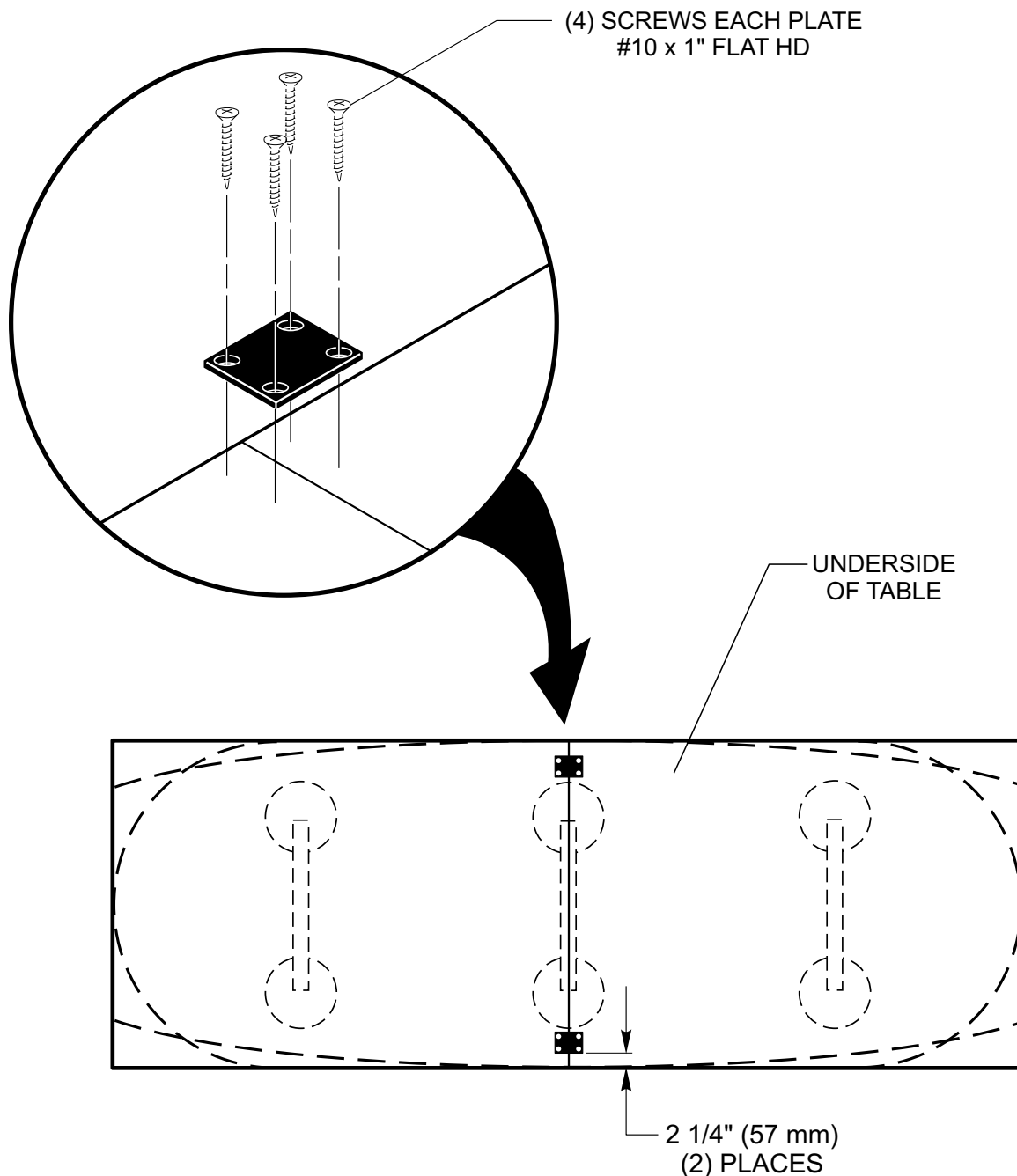


Tools



Power Driver
with Phillips tip

Note: A number of shapes and sizes of tops and bases are available in the Broadmoor line. This direction covers all 144" tops (Rectangle, Boat, and Race Track) with any of the base choices.



- 1.** Position the two halves of the top together and secure with plates as shown.
- 2.** Refer to direction 93-9501744 to assemble the bases to the top.