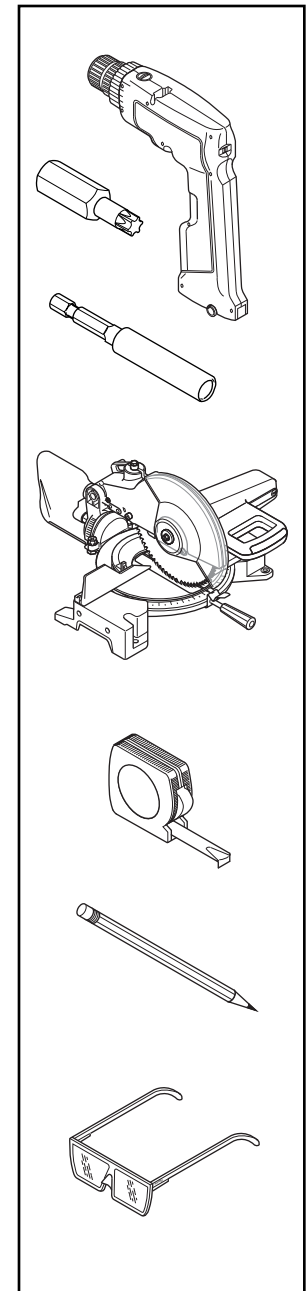


The plinth is used as an extension to a current door frame when repositioning the door assembly during a wall configuration.



If you have a problem, question, or request, call your local dealer, or Steelcase Line 1 at **888.STEELCASE** (888.783.3522) for immediate action by people who want to help you.

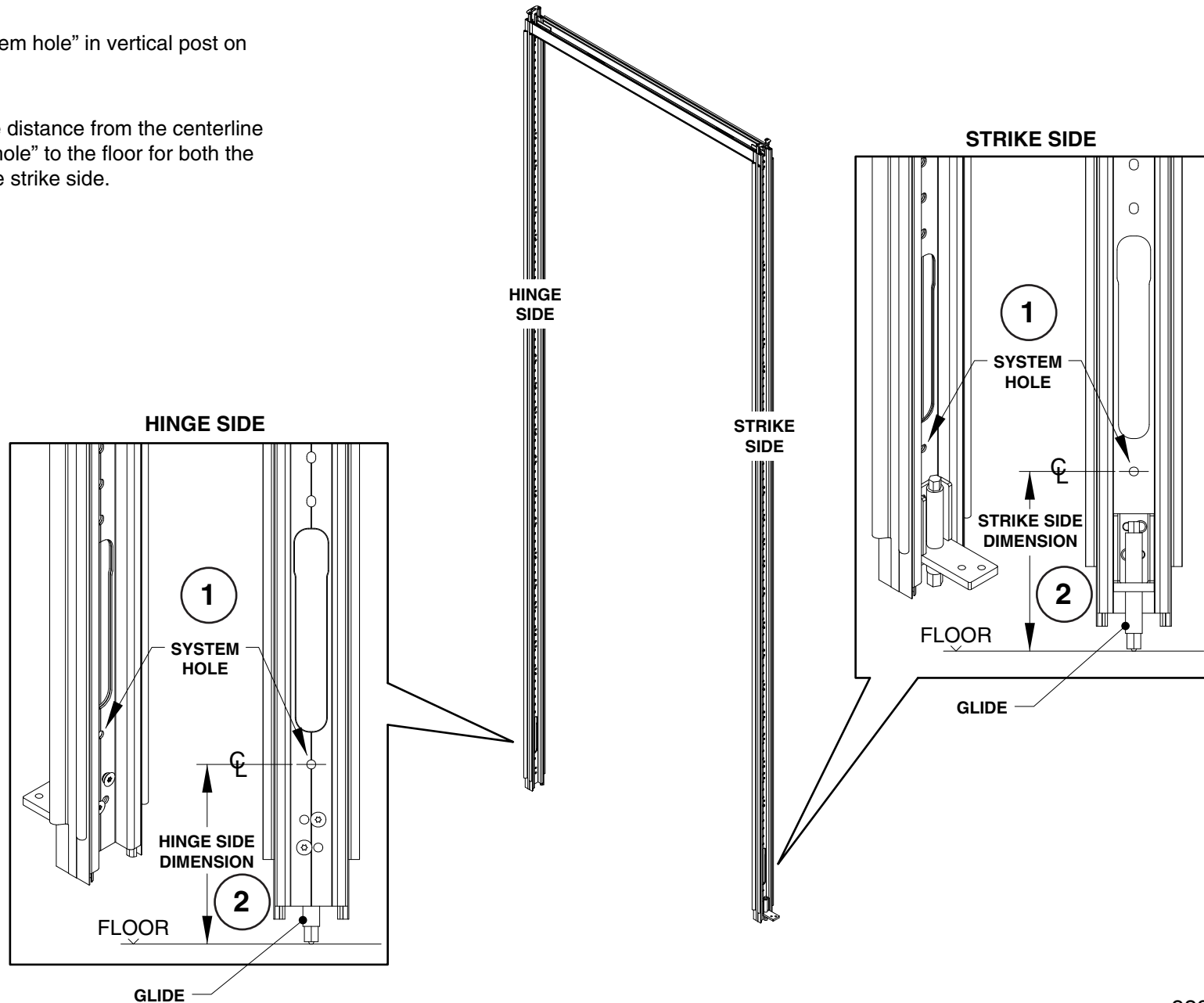
(Outside the U.S.A., Canada, Mexico, Puerto Rico, and the U.S. Virgin Islands, call: 1.616.247.2500)
Or visit our website: www.steelcase.com

© 2015 Steelcase Inc.
Grand Rapids, MI 49501
U.S.A.

Printed in U.S.A.

Door Vertical Preparation

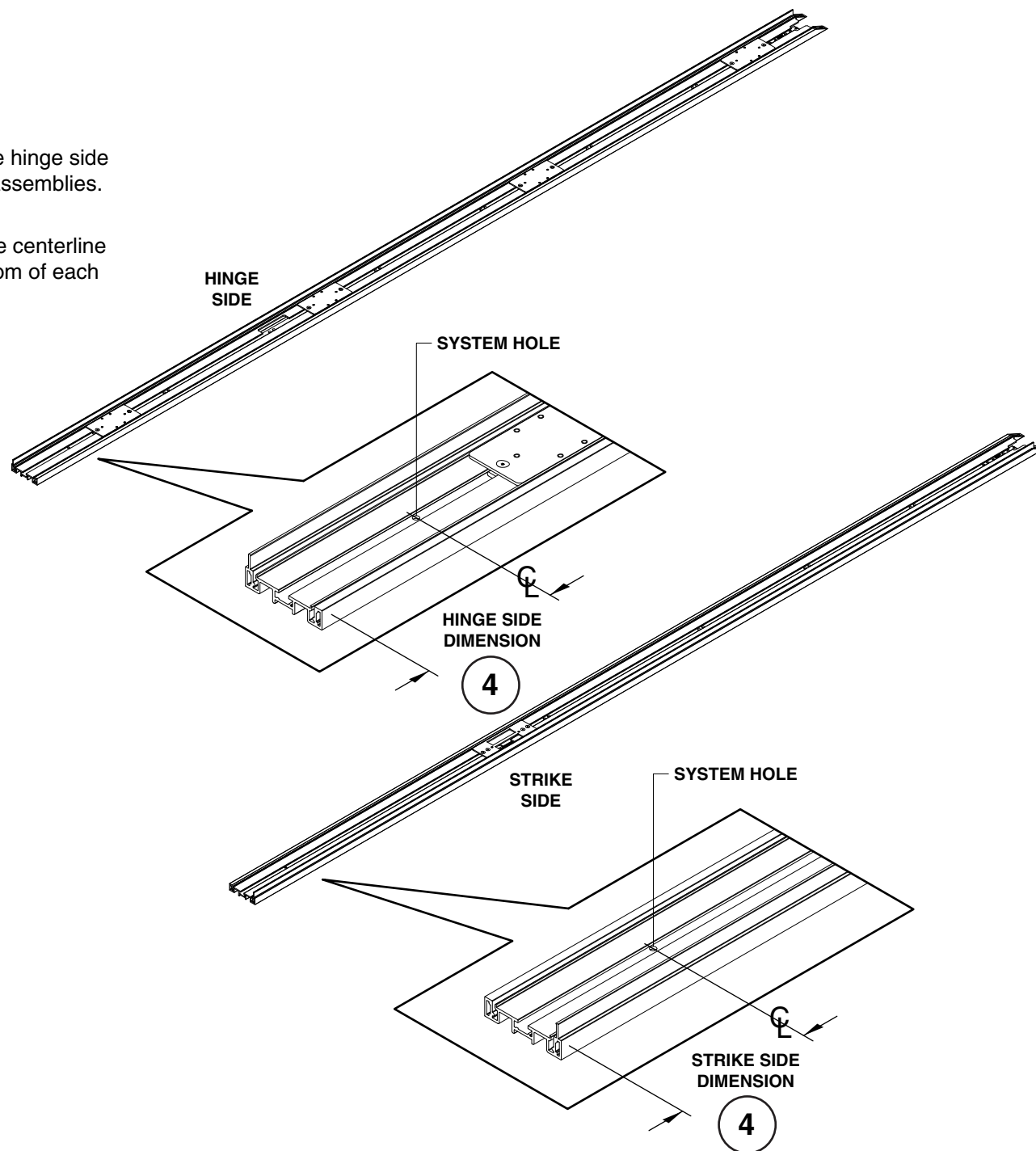
1. Locate “system hole” in vertical post on both sides.
2. Measure the distance from the centerline of the “system hole” to the floor for both the hinge side & the strike side.



Door Vertical Preparation

3. Locate “system hole” on the hinge side and the strike side door vertical assemblies.

4. Measure the distance from the centerline of the “system hole” to the bottom of each door vertical assembly.



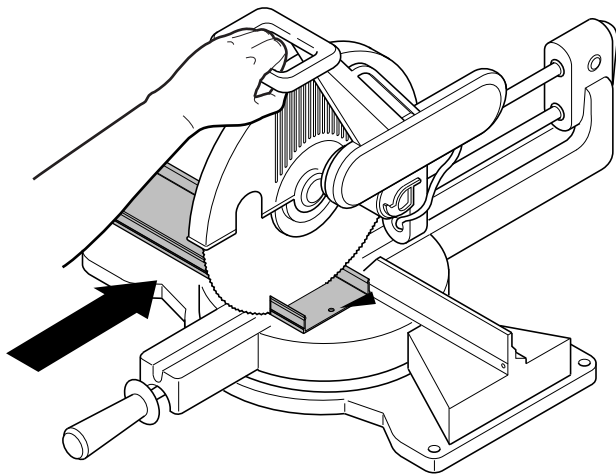
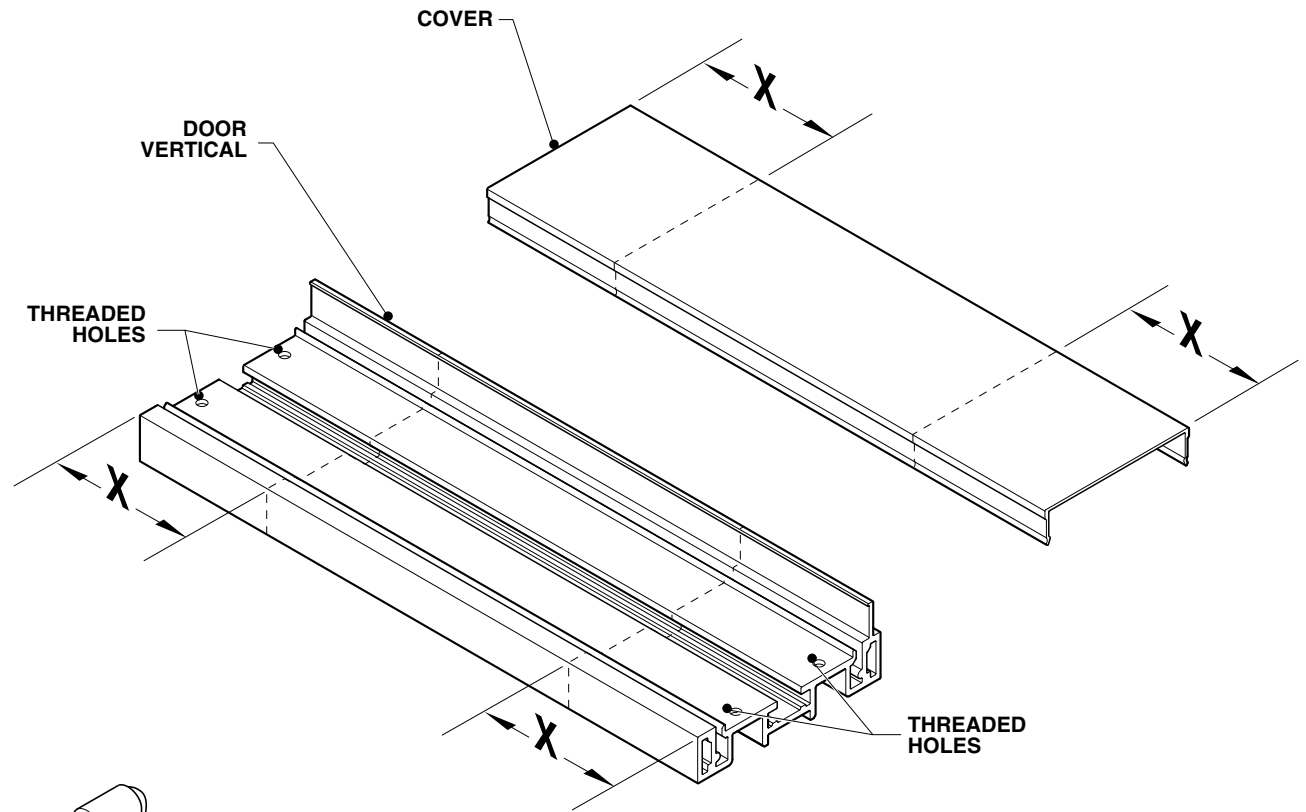
Plinth Preparation

5. Subtract the two “system hole” dimensions to determine the length of the strike side and hinge side plinth parts.

length 'X' = step 2 - step 3.

6. Cut the supplied section of door vertical and cover to dimension defined by 'X'.

Note: The strike and hinge side parts should be cut from opposite ends of the supplied section of door vertical. Each part must have 2-threaded holes in order to complete the installation.



Plinth installation

7. Assemble the cut vertical plinths to a backer plate, and nut plate as illustrated. Secure to the door vertical assembly.

8. Install the cut covers and acoustic seals to complete the installation.

9. Complete the remainder of the door installation as detailed in the 939502327 V.I.A. Reversible Door Assembly Direction.

