

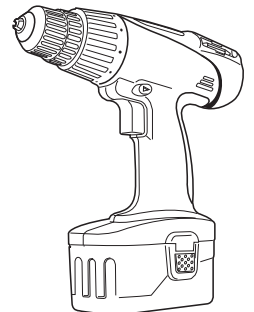
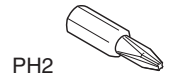
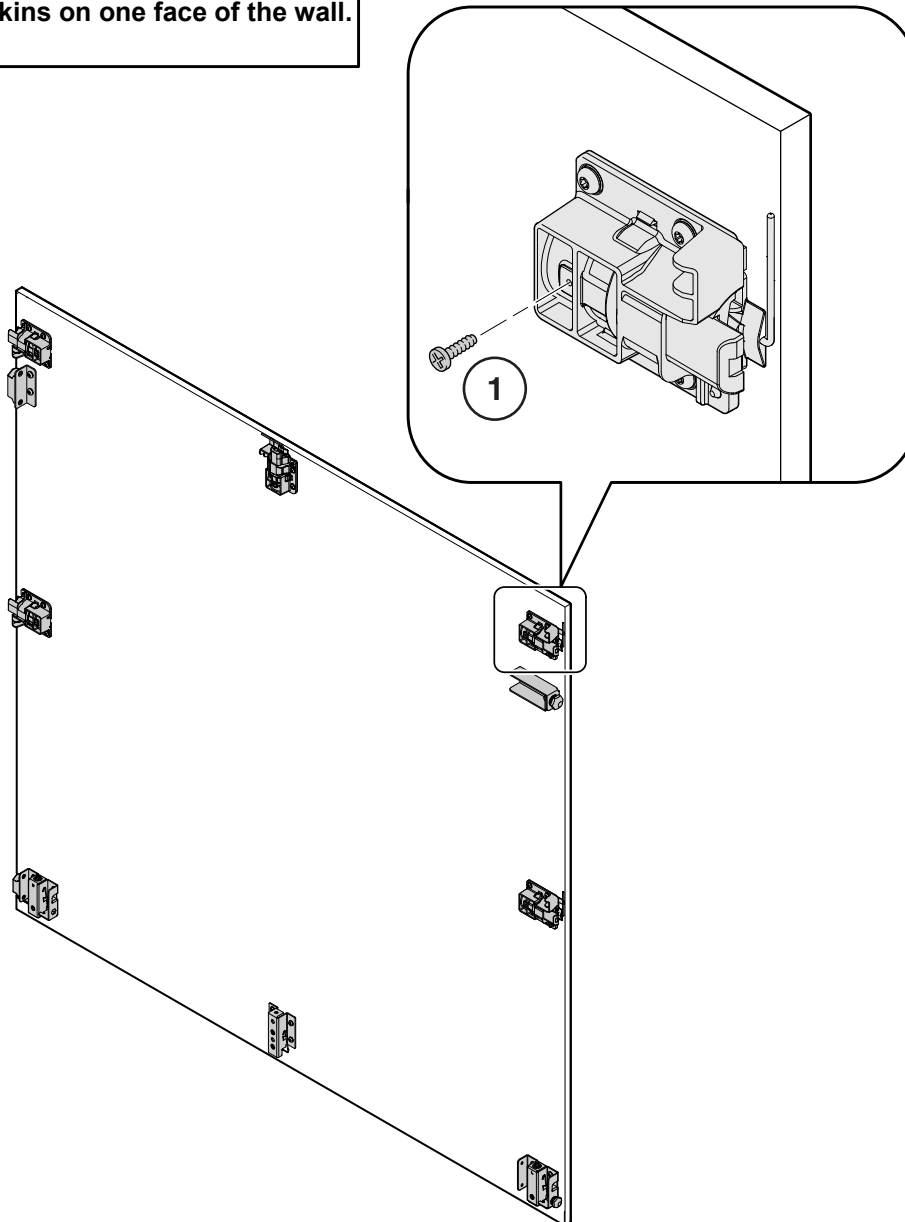
In some cases a customer may desire an additional level of security beyond that which is typically provided with the conventional skin attachment hardware. In these cases, when specifically requested by the customer, some additional installation steps can be used to further secure the skins on one face of the wall. These directions describe those added steps.

LOCKING OF SKINS (Optional)

NOTE: One side of the wall must have the skins removed to have access to the previously installed skins. Exterior skins are usually installed before the user side to provide security to the room.

1. Install a #6-18 x 1/2" sheet metal screw into hole in latch as shown. **This prevents actuator from functioning on the face.**

2. Repeat on all latch locations on each skin.



If you have a problem, question, or request, call your local dealer, or Steelcase Line 1 at **888.STEELCASE** (888.783.3522) for immediate action by people who want to help you. (Outside the U.S.A., Canada, Mexico, Puerto Rico, and the U.S. Virgin Islands, call: 1.616.247.2500) Or visit our website: www.steelcase.com

© 2014 Steelcase Inc.
Grand Rapids, MI 49501
U.S.A.

Printed in U.S.A.