

If you have a problem, question, or request, call your local dealer, or Steelcase Line 1 at **888.STEELCASE** (888.783.3522) for immediate action by people who want to help you. (Outside the U.S.A., Canada, Mexico, Puerto Rico, and the U.S. Virgin Islands, call: 1.616.247.2500) Or visit our website: www.steelcase.com

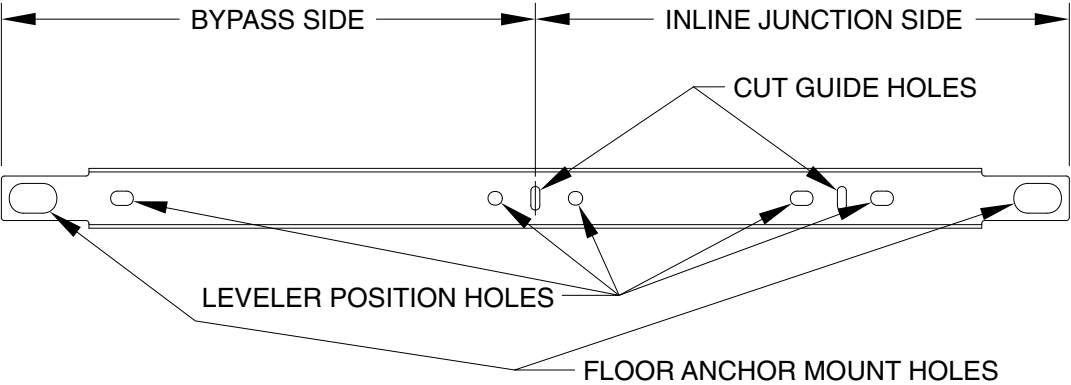
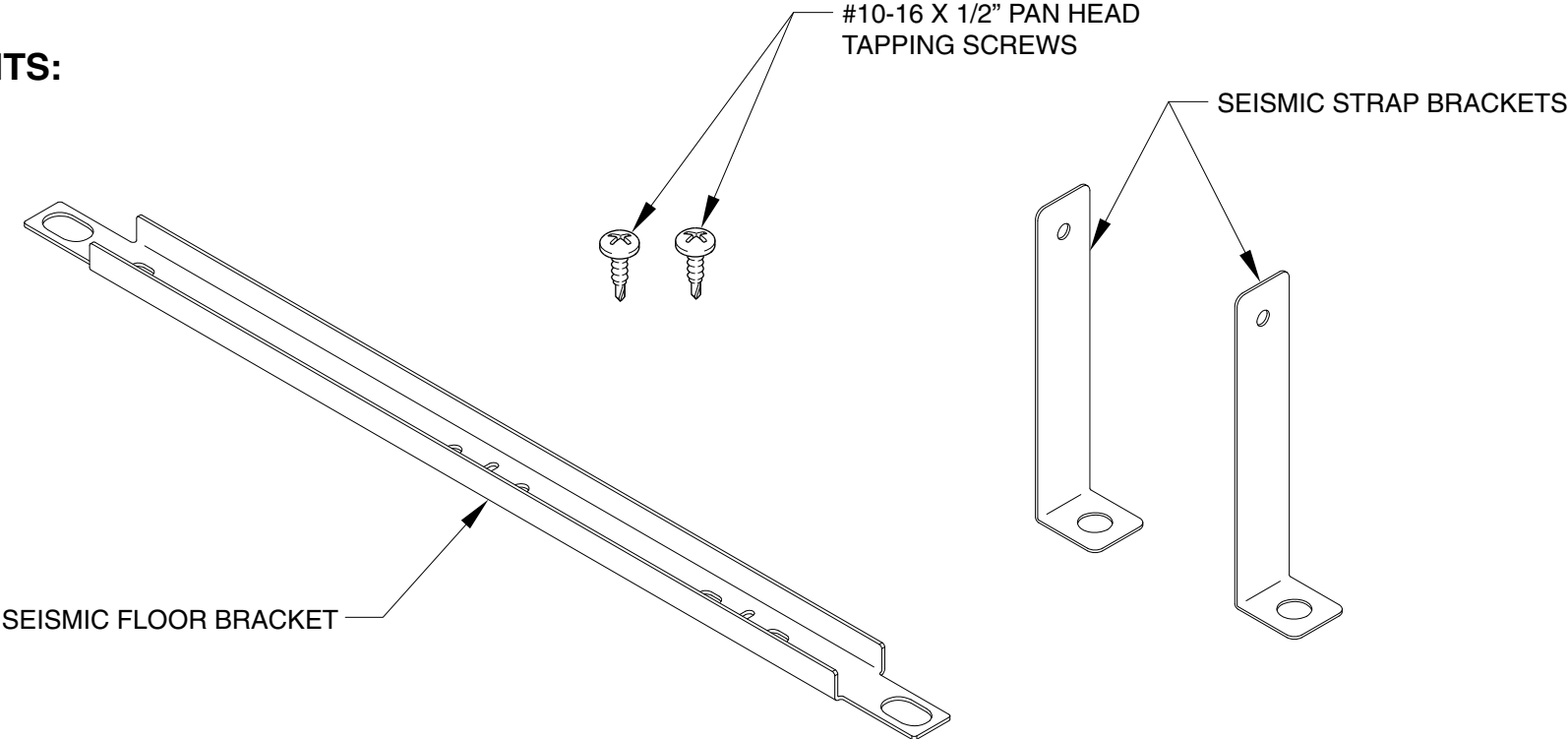
© 2014 Steelcase Inc.
Grand Rapids, MI 49501
U.S.A.

Printed in U.S.A.

NOTES: THE BUILDING'S ENGINEER OF RECORD MUST BE CONSULTED TO DETERMINE IF THERE ARE ANY SEISMIC REQUIREMENTS.

FLOOR ANCHORING FASTENERS AND METHODS ARE NOT ADDRESSED IN THIS ASSEMBLY DIRECTION.

COMPONENTS:

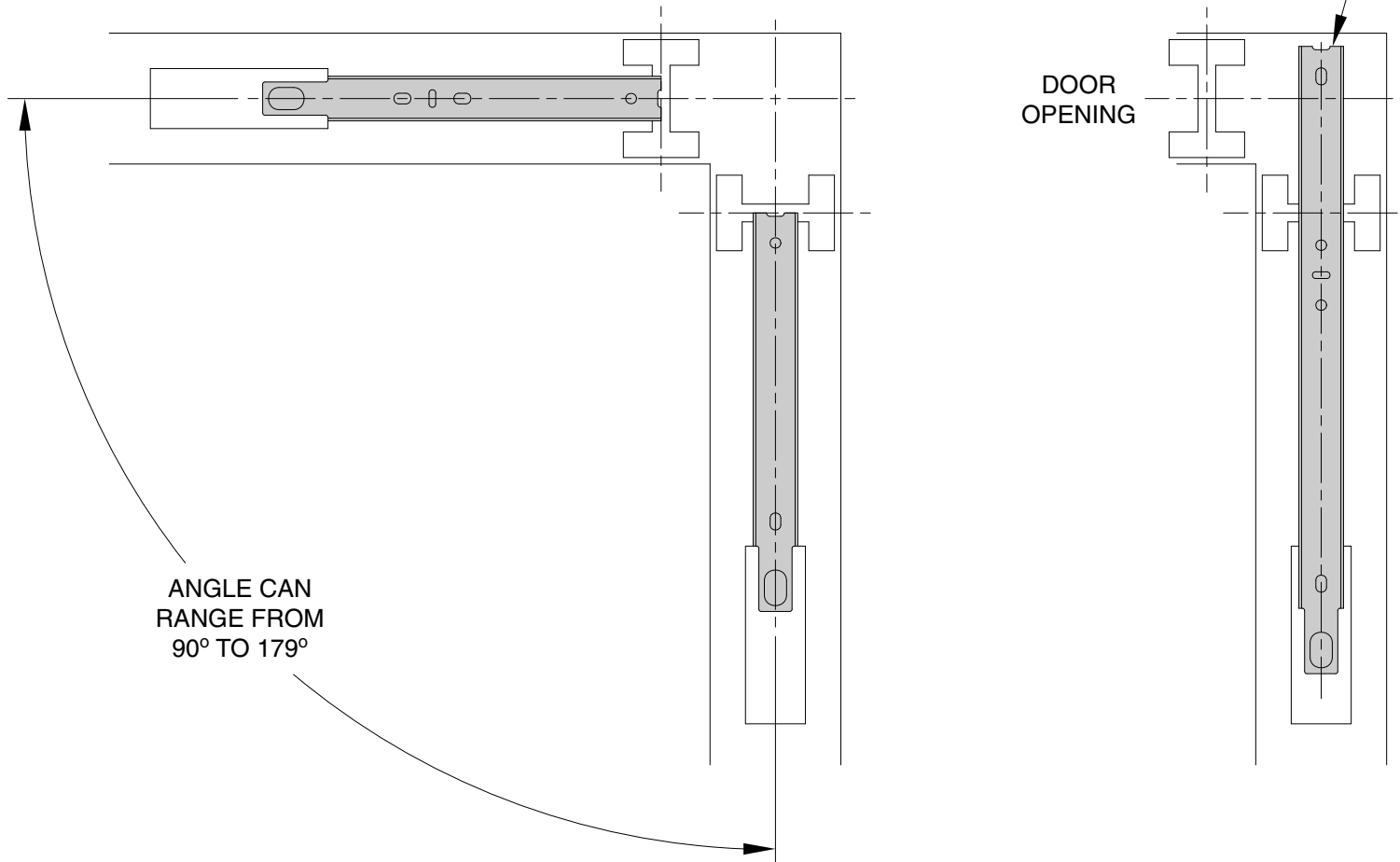


2-WAY JUNCTIONS 90°, 120°, 135° AND SPECIFIABLE ANGLES FROM 91° THROUGH 179°

SEISMIC FLOOR GUIDE CONFIGURATIONS

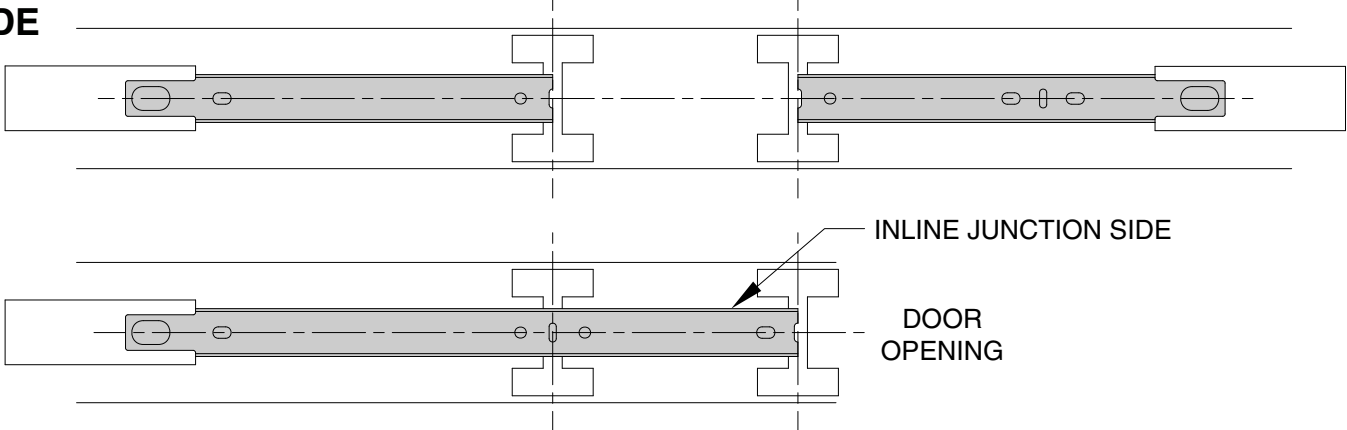
NOTE: Use a hacksaw to cut floor bracket as needed.

NOTE: When installing seismic floor guide at a 2-way junction when adjacent to a door, it is recommended to add an additional anchor inside the junction area to keep post from rotating.

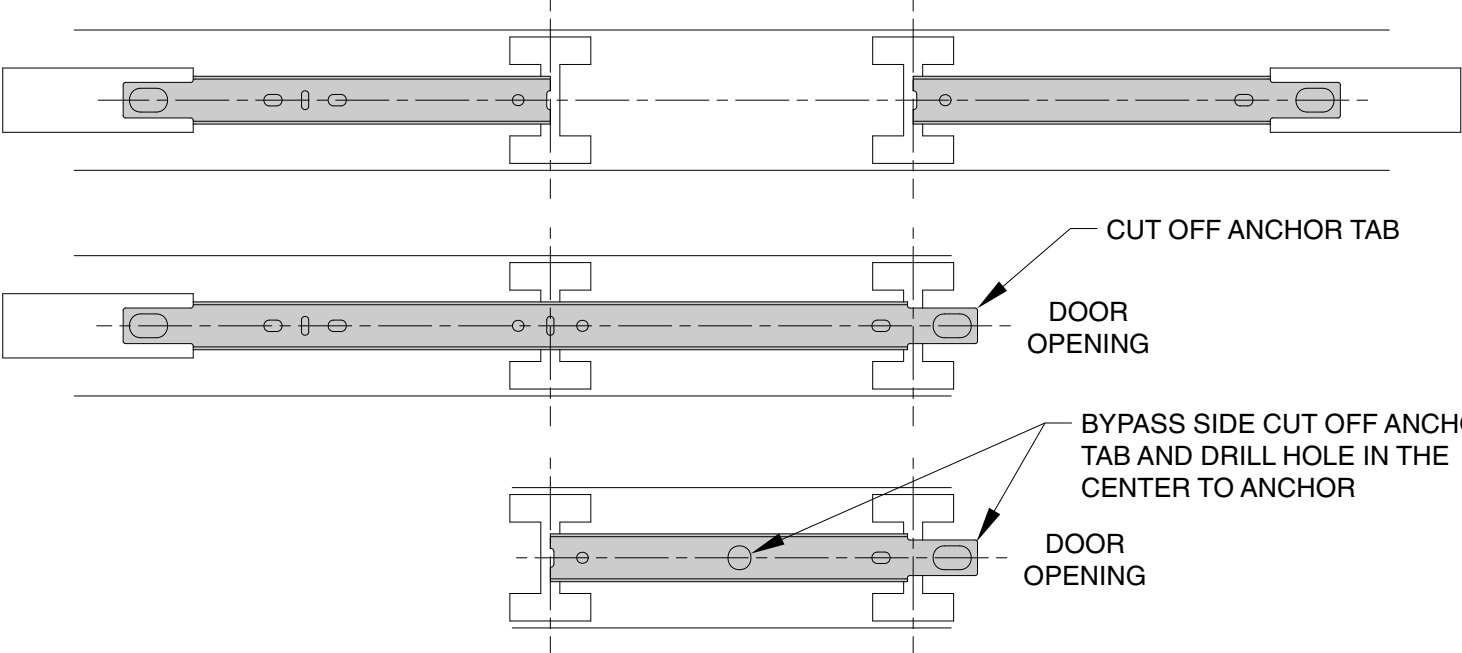


2-WAY JUNCTIONS 180°

SEISMIC FLOOR GUIDE CONFIGURATIONS (CONTINUED)

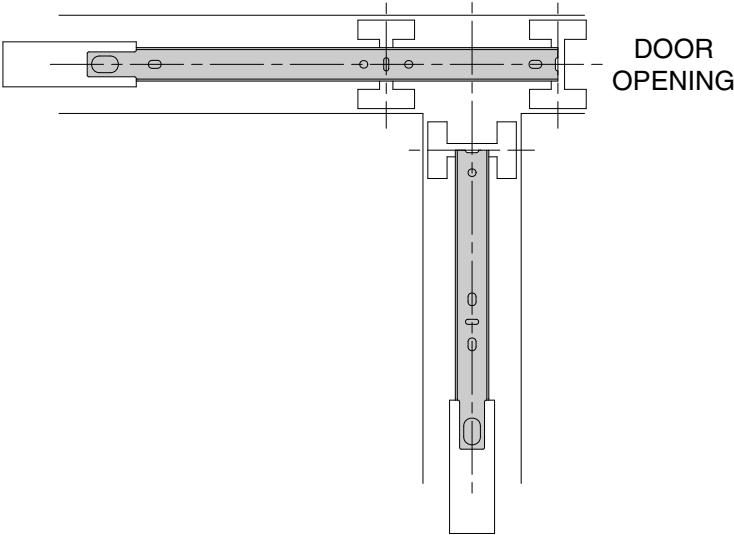
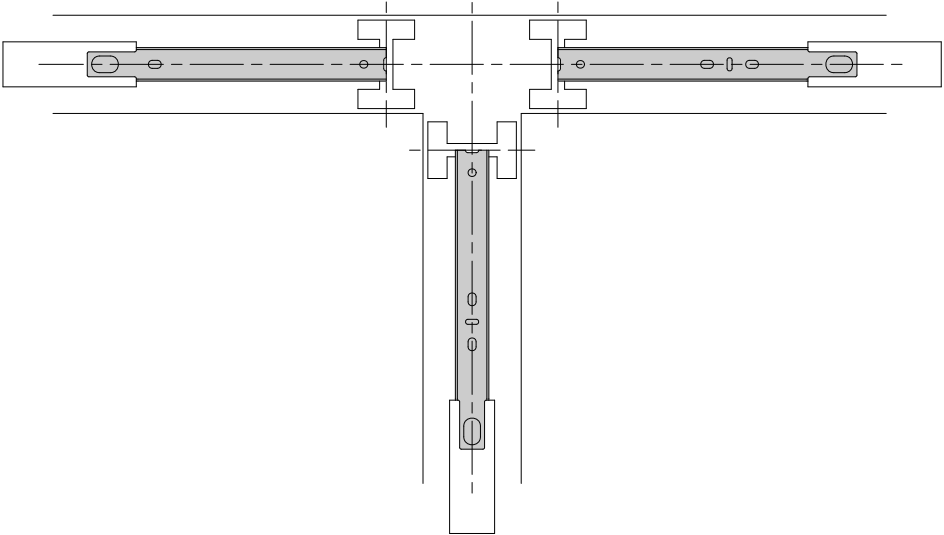
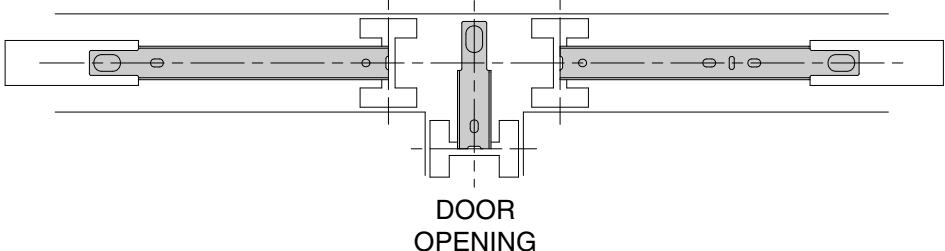
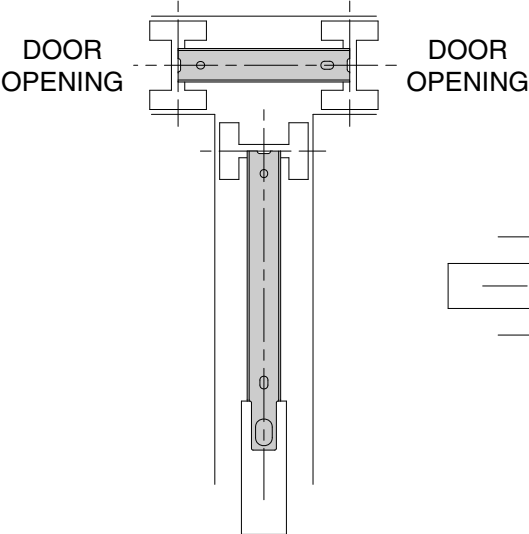


BYPASS



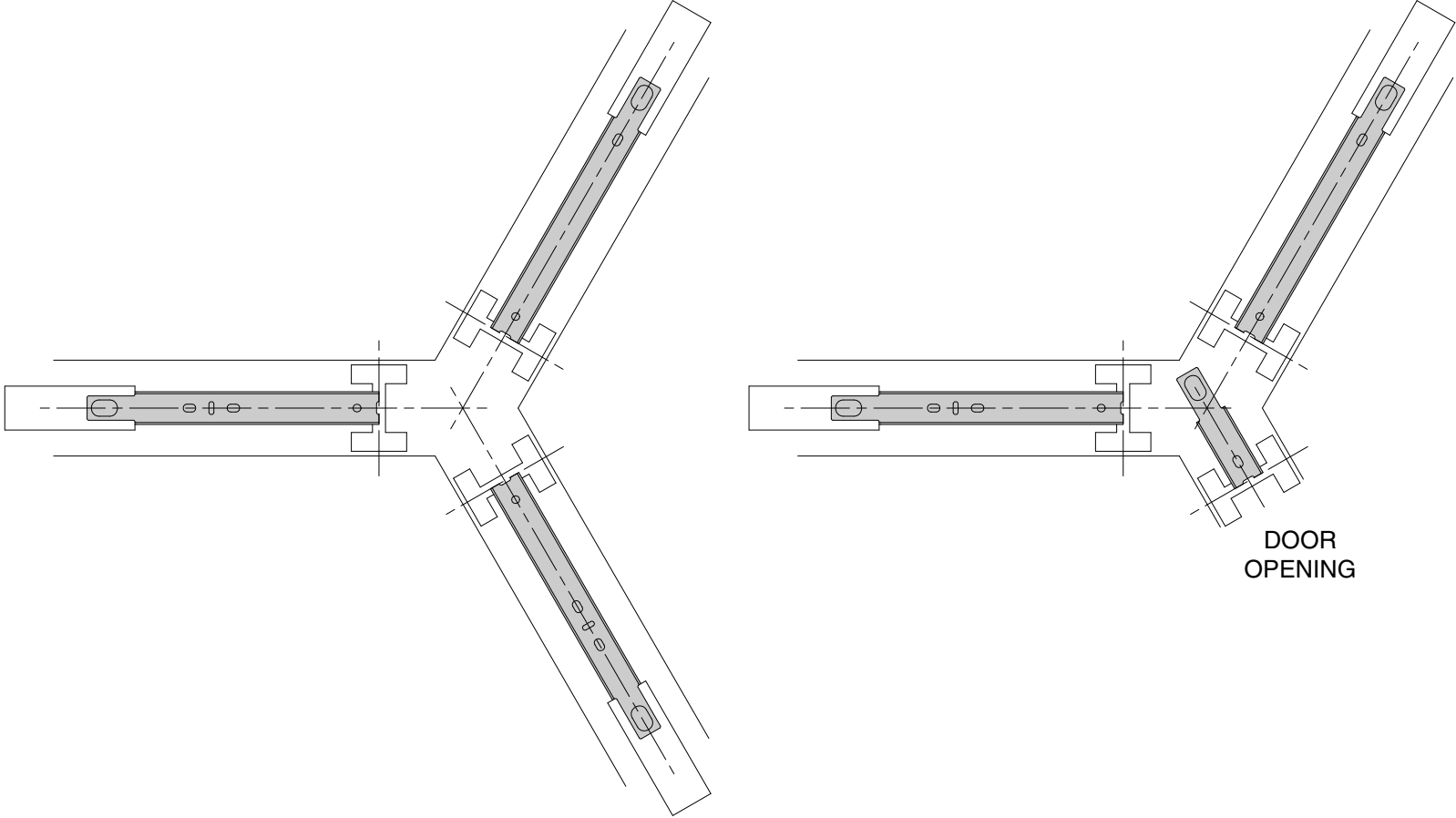
3-WAY JUNCTIONS 90°

SEISMIC FLOOR GUIDE CONFIGURATIONS (CONTINUED)



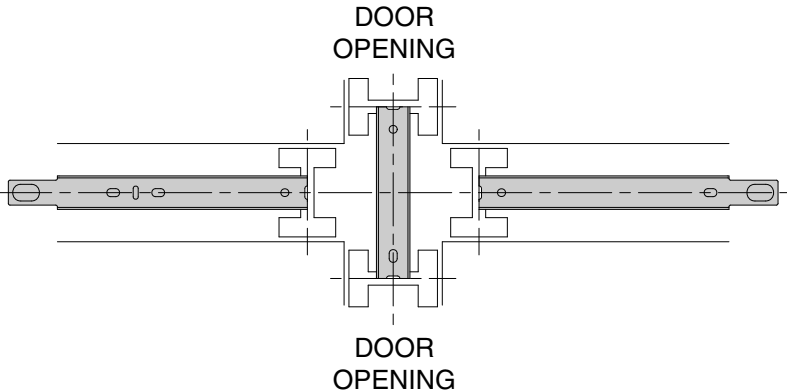
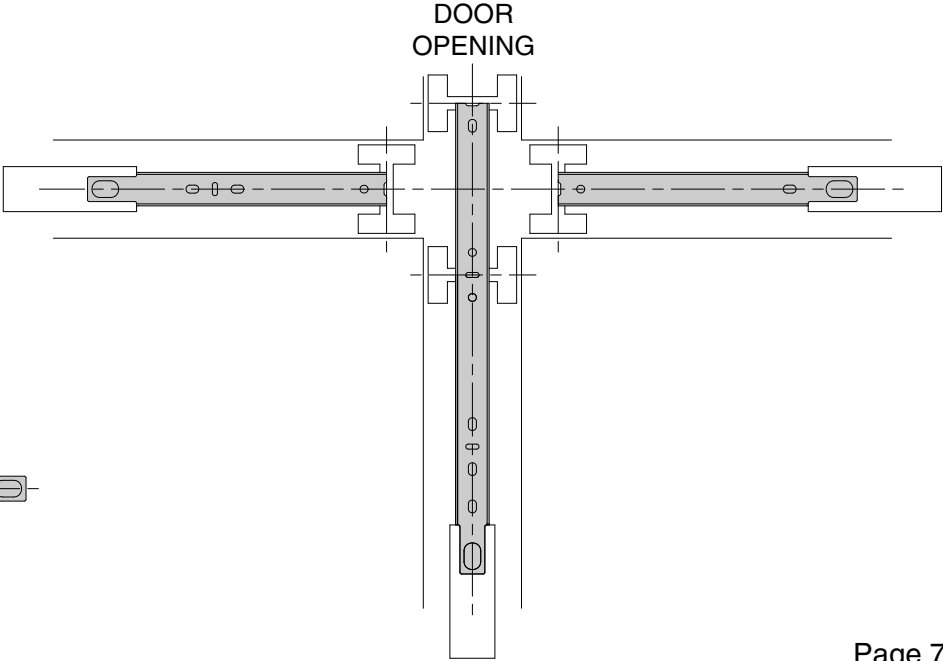
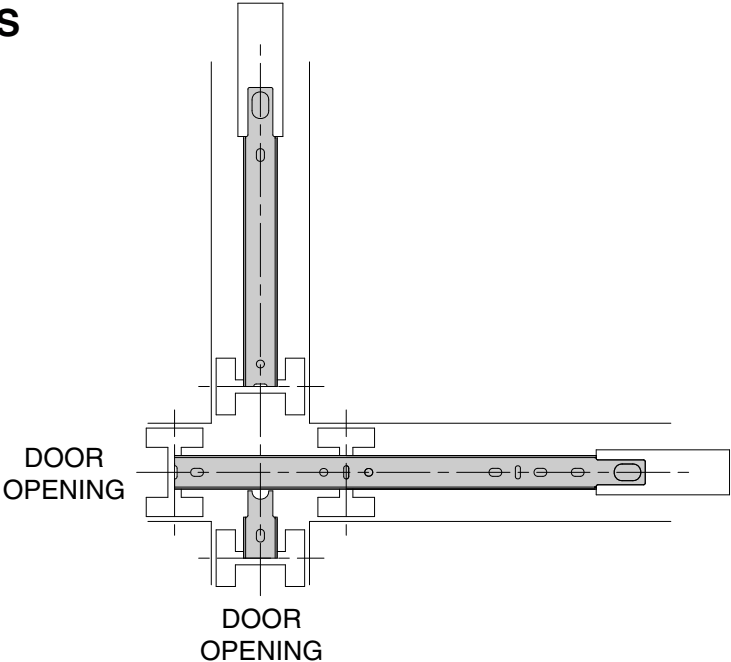
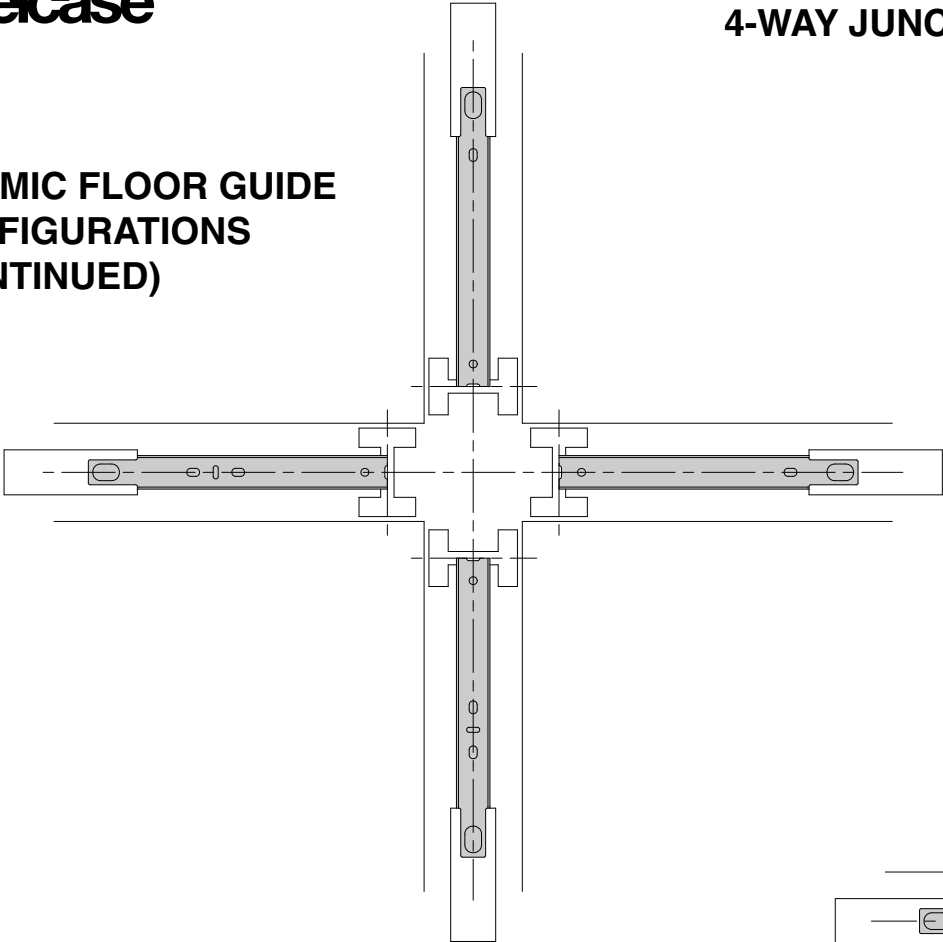
**SEISMIC FLOOR GUIDE
CONFIGURATIONS
(CONTINUED)**

3-WAY JUNCTIONS 120°, 135°



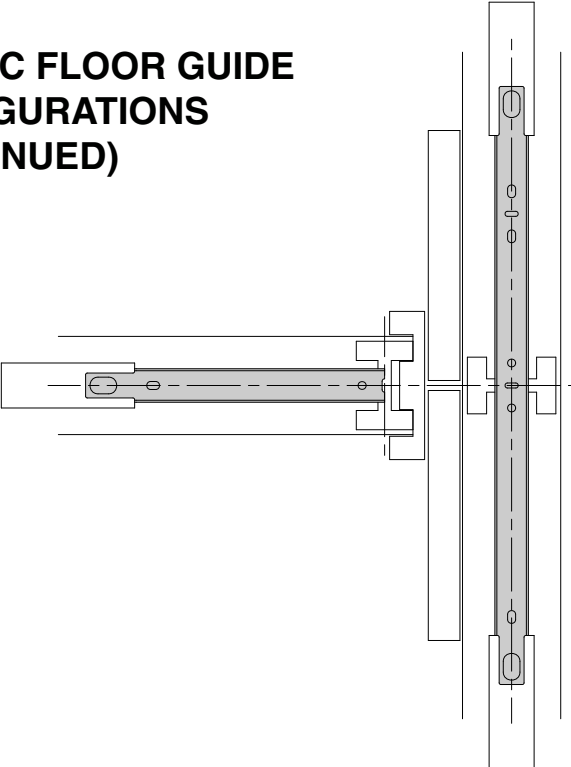
4-WAY JUNCTIONS

**SEISMIC FLOOR GUIDE CONFIGURATIONS
(CONTINUED)**

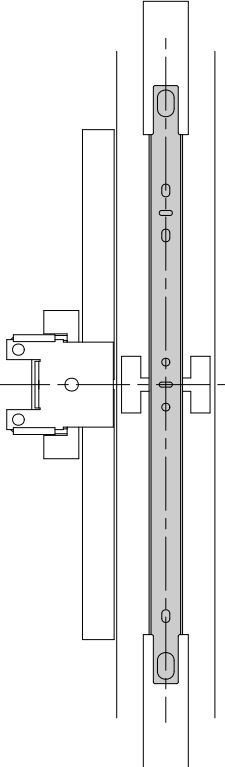


T/X ADAPTOR

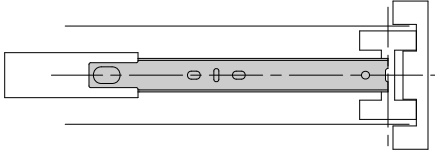
SEISMIC FLOOR GUIDE CONFIGURATIONS (CONTINUED)



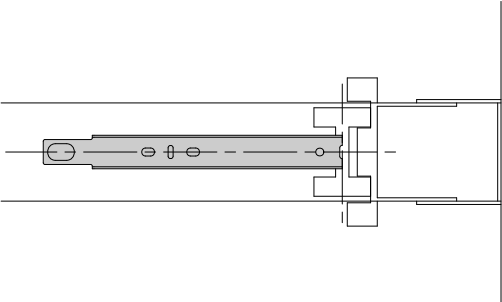
DOOR
OPENING
USE FEEHDM



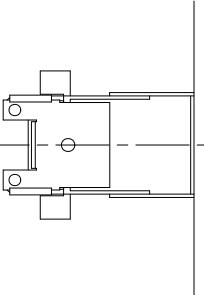
FINISHED END



MINI END



DOOR
OPENING
USE FEEHDM



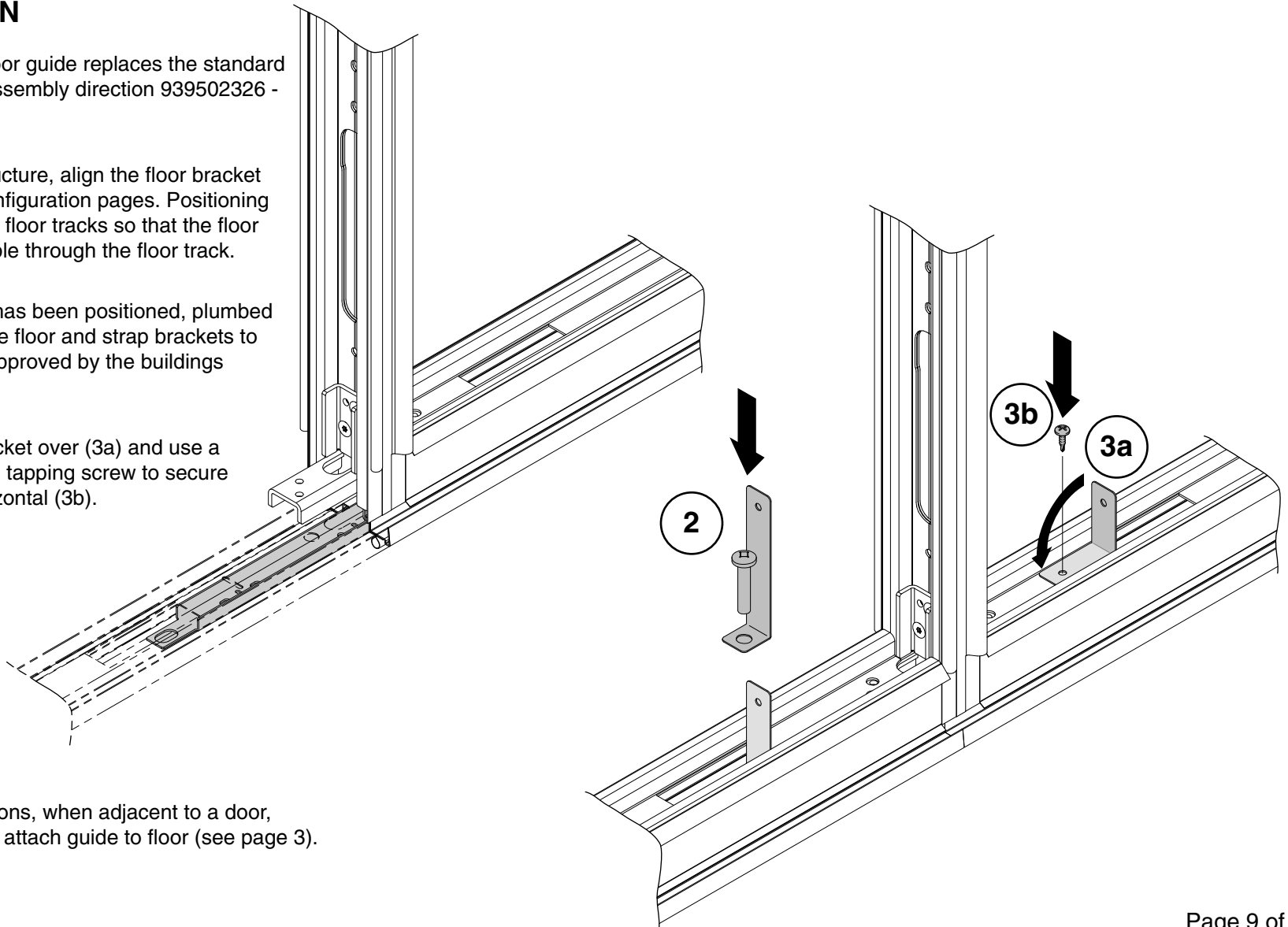
SEISMIC FLOOR GUIDE - INSTALLATION

NOTE: The seismic floor guide replaces the standard floor guide. Refer to assembly direction 939502326 - Floor Guide.

1. While installing structure, align the floor bracket per the preceding configuration pages. Positioning the brackets under the floor tracks so that the floor mount hole is accessible through the floor track.

2. After the structure has been positioned, plumbed and leveled, anchor the floor and strap brackets to the floor per method approved by the buildings Engineer of Record.

3. Bend the strap bracket over (3a) and use a #10-16 x 1/2 pan head tapping screw to secure it to the structural horizontal (3b).



NOTE: At 2-way junctions, when adjacent to a door, use two (2) anchors to attach guide to floor (see page 3).