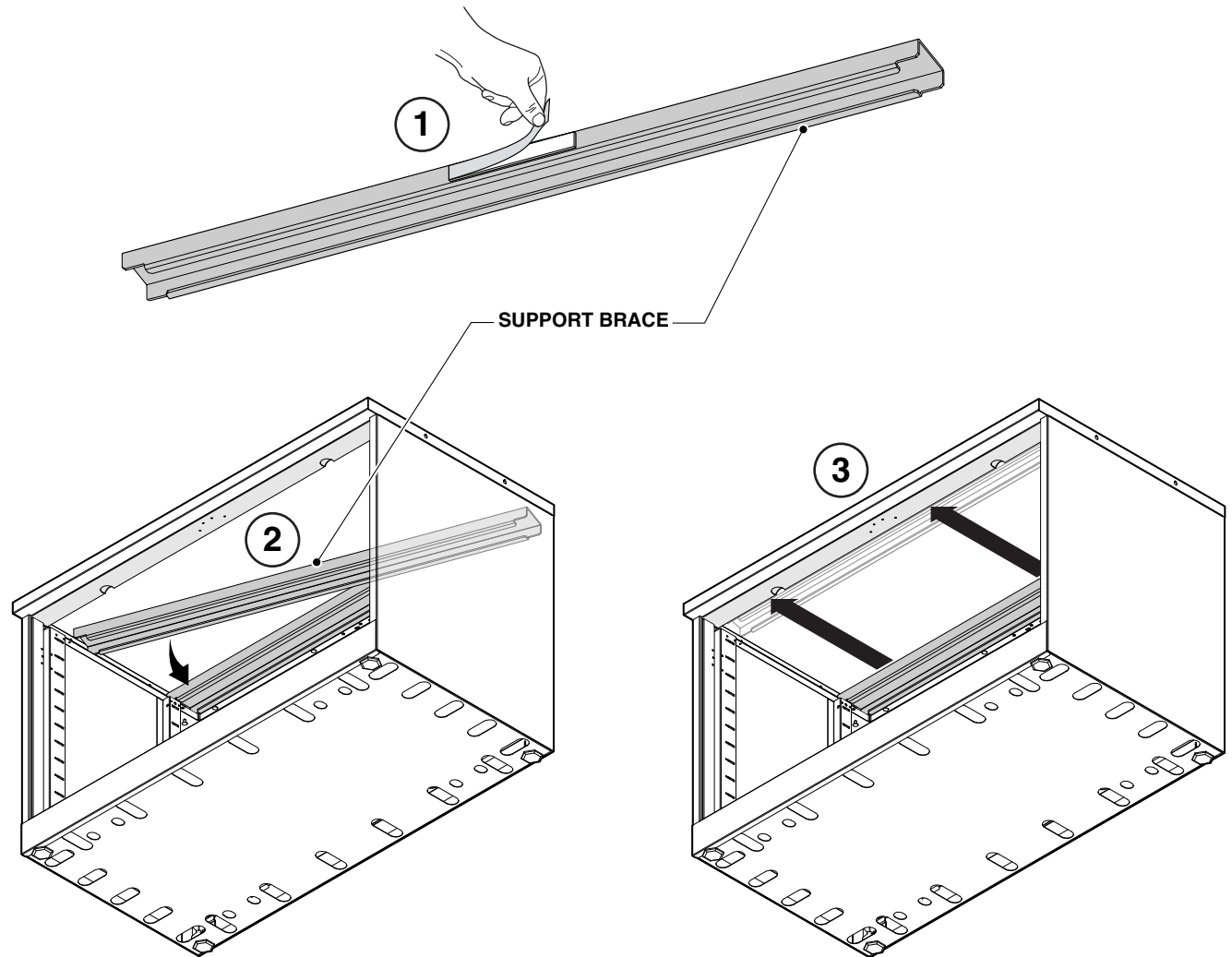


A Basic Cushion on a 30" or 36" wide Open Lateral will require a brace to be installed.

1. Apply double-sided tape to the front edge of Support Brace.
2. Position Support Brace up into top as shown.
3. Pull Support Brace to the front of cabinet so that the tape engaged with Top Brace.



If you have a problem, question, or request, call your local dealer, or Steelcase Line 1 at **888.STEELCASE** (888.783.3522) for immediate action by people who want to help you.

(Outside the U.S.A., Canada, Mexico, Puerto Rico, and the U.S. Virgin Islands, call: 1.616.247.2500)

Or visit our website: [www.steelcase.com](http://www.steelcase.com)

© 2016 Steelcase Inc.  
Grand Rapids, MI 49501  
U.S.A.

Printed in U.S.A.