

IMPORTANT

These instructions are for attachment to conventional stud and wallboard structures only, using the TOGGLE BOLT ANCHORS supplied in the hardware package.

Refer to the chart below for the minimum number of bolts, and for the minimum number of wall stud anchorages required to support each size of overhead.

Always use more than the minimum number of wall stud anchorages if possible.

VERIFY WALL CONSTRUCTION

CAUTION! Adequate wall construction is required to support the weight of loaded cabinets.

Minimum wall construction must be capable of supporting 73 lb./ln. ft. as shown in Figures 1A and 1B.

MINIMUM REQUIRED WALL CONSTRUCTIONS:

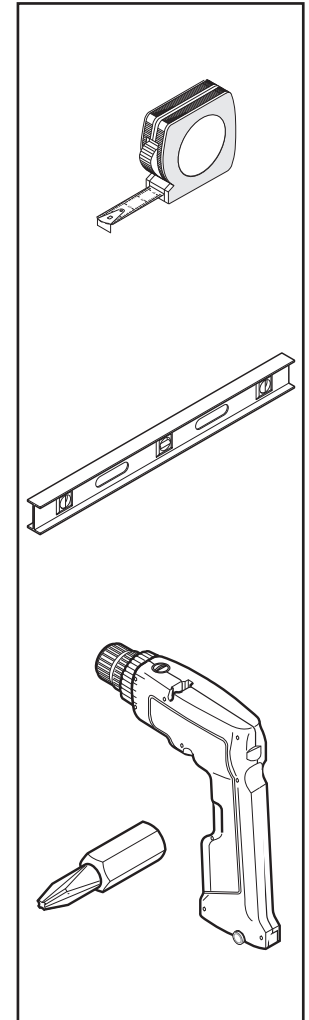
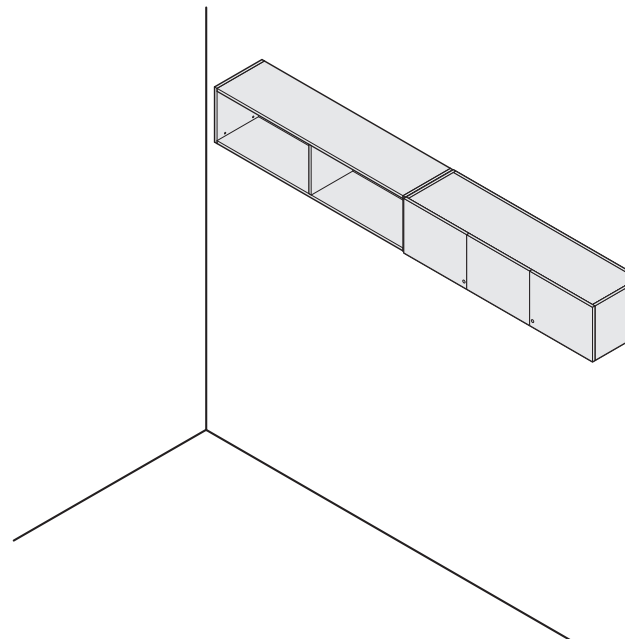
Drywall with Metal Studs

- Must be at least 25 ga. (0.018" min. thk.) 33 ksi steel studs 1.5" x 3.5"
- Studs on maximum 24" centers
- Must be at least 5/8" thick Type X gypsum drywall
- #6 x 1-1/4" drywall screws on 12" centers

Drywall with Wood Studs

- Stud grade SPF, DF-L or Hem-Fir 1.5" x 3.5"
- Studs on 24" centers
- Must be at least 5/8" thick Type X gypsum drywall
- #6 x 1-1/4" drywall screws on 12" centers

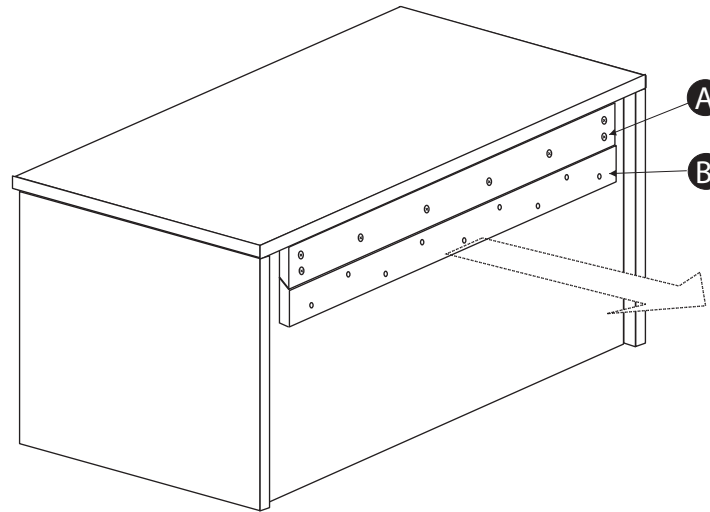
Overhead width	30"	36"	42"	48"	54"	60"	66"	72"	78"
Wall stud anchorages required (minimum)	1	1	1	2	2	2	2	2	3
Mounting bolts required (minimum)	7	8	9	10	12	13	14	15	15
Allowable load (maximum - lbs.)	300	360	420	480	540	600	660	720	780
Hardware Pack	7HP21-A				7HP21-B				






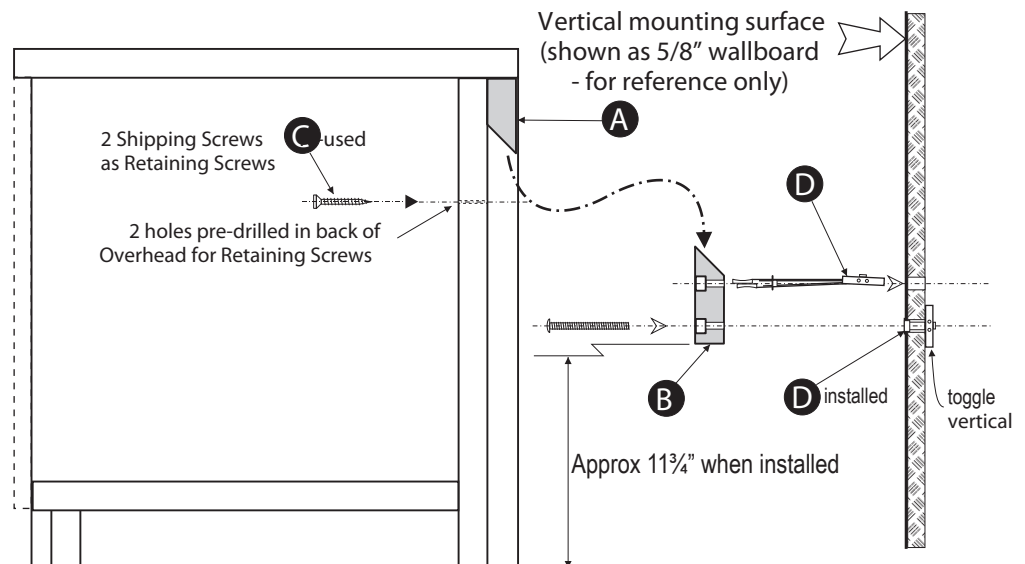
If you have a problem, question, or request, call your local dealer, or Steelcase Line 1 at 888.STEELCASE (888.783.3522) for immediate action by people who want to help you. (Outside the U.S.A., Canada, Mexico, Puerto Rico, and the U.S. Virgin Islands, call: 1.616.247.2500) Or visit our website: www.steelcase.com
 © 2015 Steelcase Inc.
 Grand Rapids, MI 49501
 U.S.A.
 Printed in U.S.A.

MOUNTING INSTRUCTIONS

1. Remove LOWER MOUNTING CLEAT **(B)** from rear of the Overhead. Retain screws **(C)** for further use.
2. Position LOWER MOUNTING CLEAT **(B)** on the wall as shown, ensuring that it is properly level. Note that the bottom of the cleat is approx. 11¾" above the bottom of the Overhead.
3. Using a 5/16" drill, drill through the required number of pilot holes in **(B)** to mark the mounting bolt locations on the wall.
- 4a. For wood-studded walls, open up the 5/16" holes in the wallboard to 1/2" diameter. When a wooden stud is encountered, drill a new 1/8" hole into the stud from the parallel groove. (Use a #10 x 3" woodscrew to secure at this location.)
- 4b. For metal-studded walls, open up the 5/16" holes in the wallboard and any metal stud to 1/2" diameter.
5. Push one toggle bolt anchor **(D)** into each 1/2" diameter hole and secure as per the manufacturer's instructions (see overleaf). Installed anchor is shown at **(D)** "installed".
6. Attach the lower mounting cleat **(B)** to the wall using the enclosed mounting bolts (and woodscrews for wood studs).
7. Position the overhead on the wall, ensuring complete engagement of the upper mounting cleat (attached to the back of the overhead) onto the lower mounting cleat (attached to the wall).
8. Secure the overhead in position using screws **(C)**, by screwing through the pre-drilled holes in the back panel and into the lower mounting cleat.



	Toggle Bolt Anchor	10	15
	Toggle Bolt	10	15
	#10 x 3" Wood Stud Screw	4	4
7HP21		-A	-B
HARDWARE PACKAGES			



HINGE ADJUSTMENT

Adjust doors. A #2 screwdriver is recommended for adjusting hinge.

