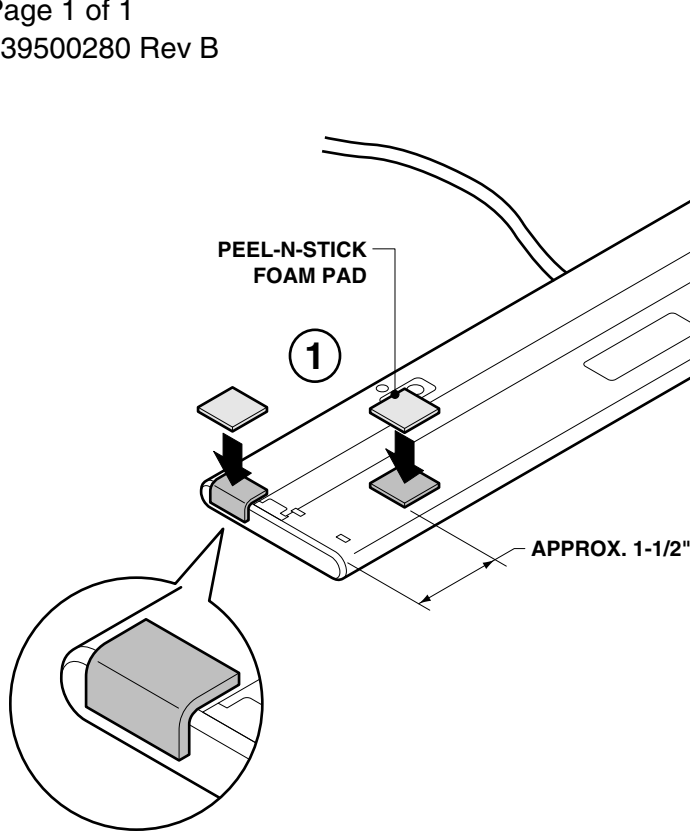


Mounting an Underline Task Light to a 24" Universal Bin

Page 1 of 1
939500280 Rev B



1. Apply two (2) peel-n-stick foam pads per end. Wrap one of them around the end of the task light as shown, then place the other one approximately 1-1/2" in from the end as shown.

2. Insert the task light into the cavity between the shelf support bracket and the shelf, one end at a time.

3. Slide the task light toward the front of the shelf. Friction will hold it into position. Center the task light to ensure that each end of the task light is supported by the shelf support bracket.

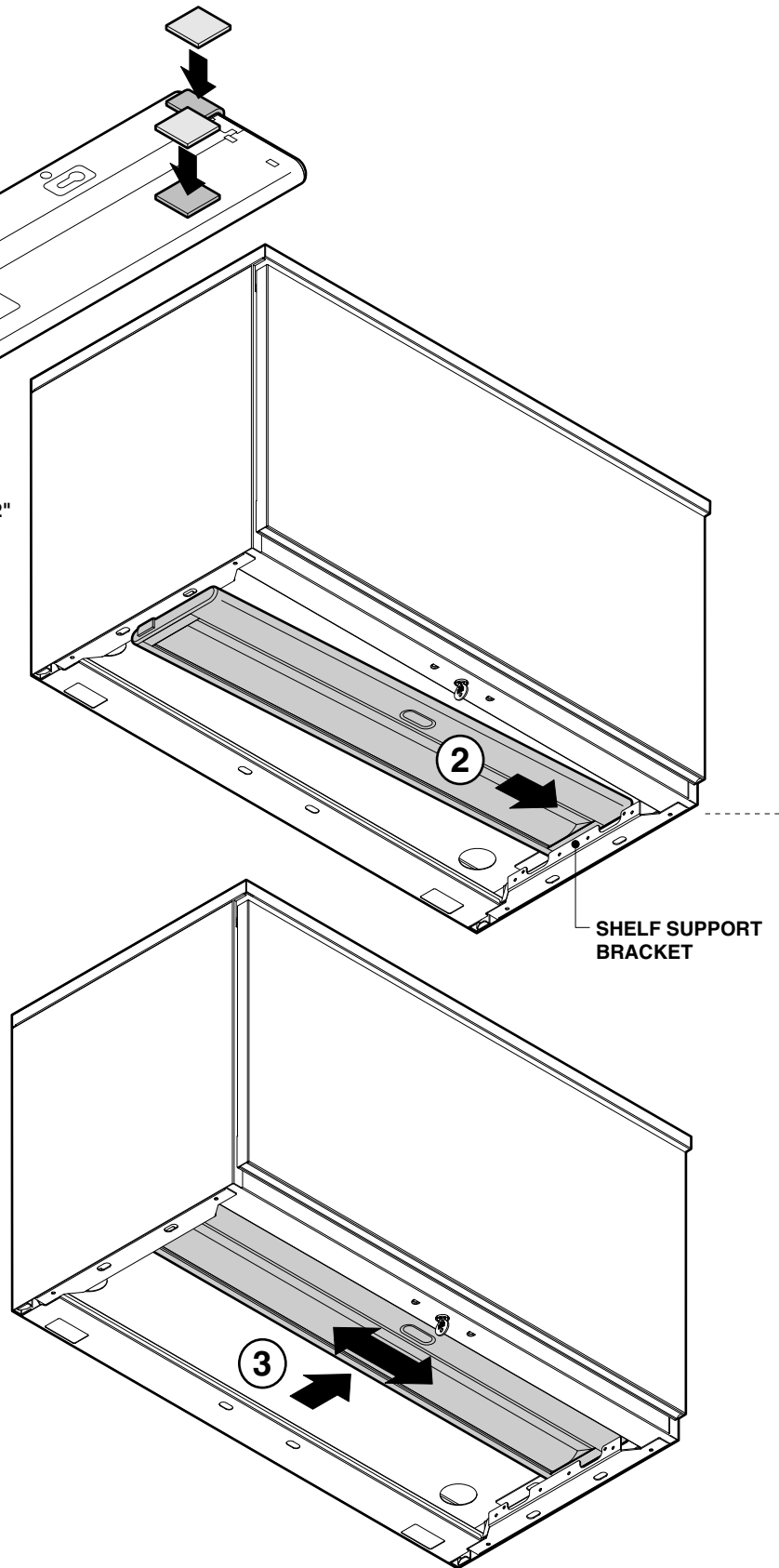
If you have a problem, question, or request, call your local dealer, or Steelcase Line 1 at **888.STEELCASE** (888.783.3522) for immediate action by people who want to help you.

(Outside the U.S.A., Canada, Mexico, Puerto Rico, and the U.S. Virgin Islands, call: 1.616.247.2500)
Or visit our website: www.steelcase.com

© 2007 Steelcase Inc.
Grand Rapids, MI 49501
U.S.A.

Printed in U.S.A.

Mounting an Underline Task Light to a 24" Universal Bin



Mounting an Underline Task Light to a 24" Universal Bin

Mounting an Underline Task Light to a 24" Universal Bin