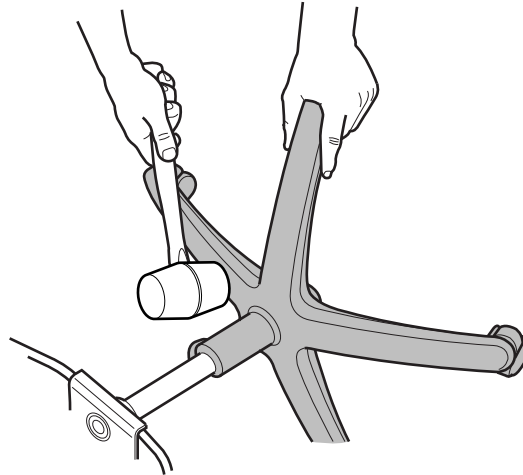


TS311R Uno™ Frame Replacement

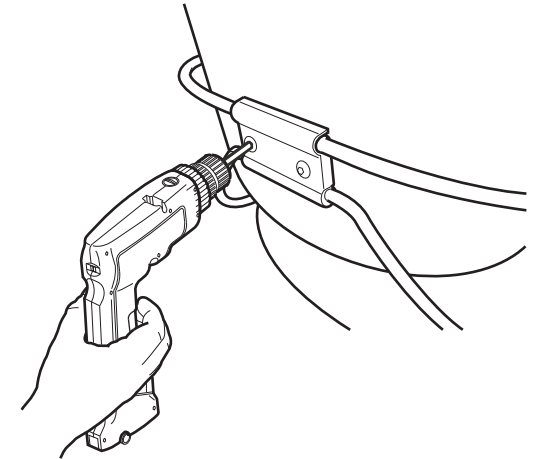
turnstone®



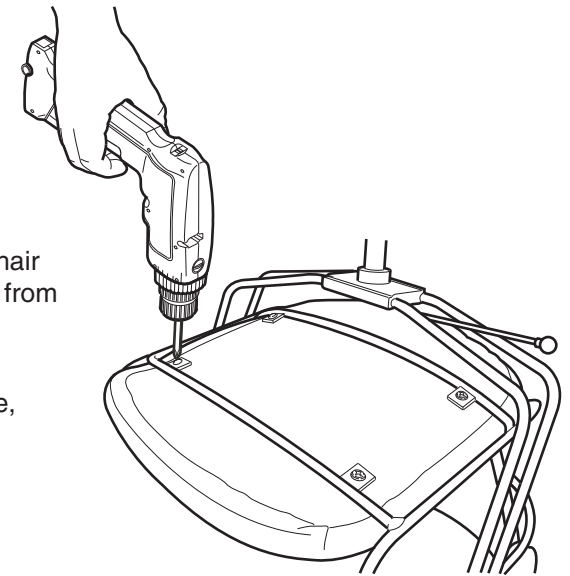
- 1.** Remove base with casters from old chair with a rubber mallet.



- 2.** Remove upholstered back and back bracket from old chair by removing two (2) 3/16 allen screws.

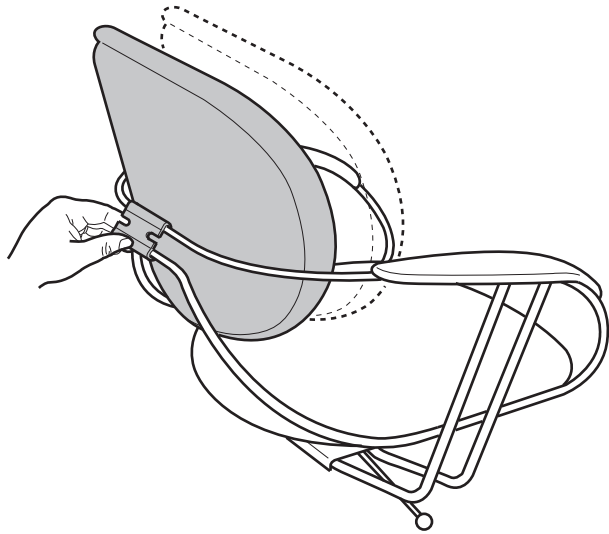


- 3.** Remove upholstered seat from old chair by removing four (4) phillips head screws from the bottom of the chair.

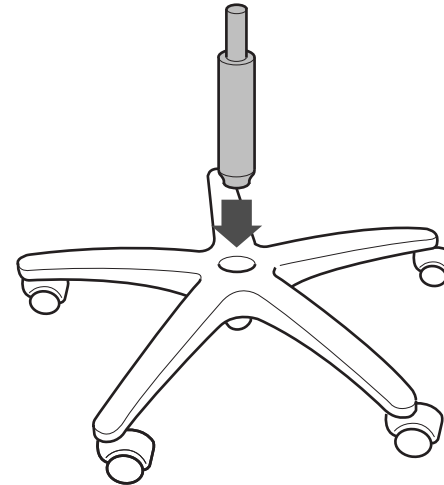


- 4.** Attach upholstered seat to new frame, using four (4) new screws.

- 5.** Attach upholstered back to new frame using new plastic bearing, two (2) new screws and old back bracket.



- 6.** Install new pneumatic cylinder in base.



- 7.** Install new chair frame on pneumatic cylinder.

- 8.** Carefully sit in chair to seat pneumatic cylinder in chair frame and base.

- 9.** Discard old frame to prevent reuse.

