

# TS 311A

## Uno™ Chair - Standard & High Back

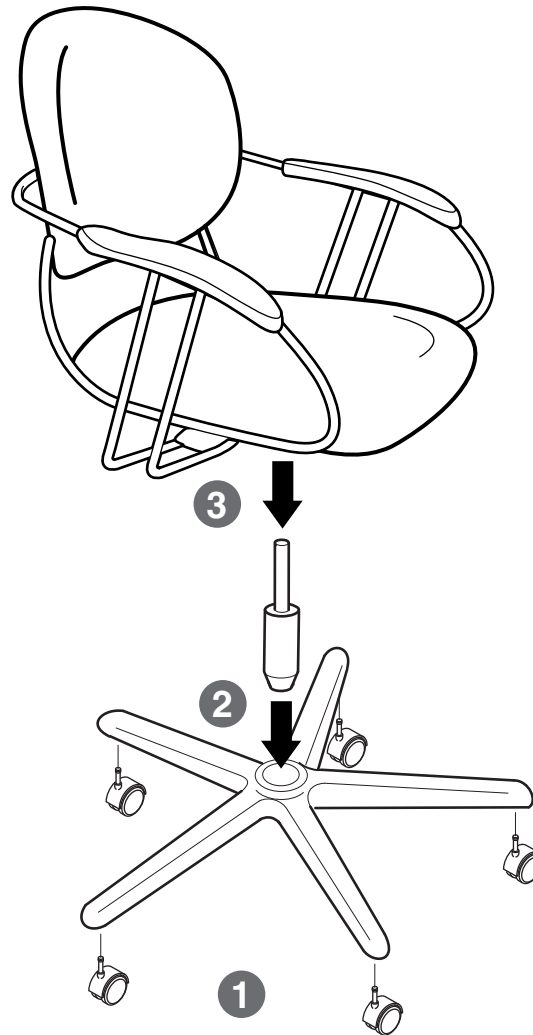
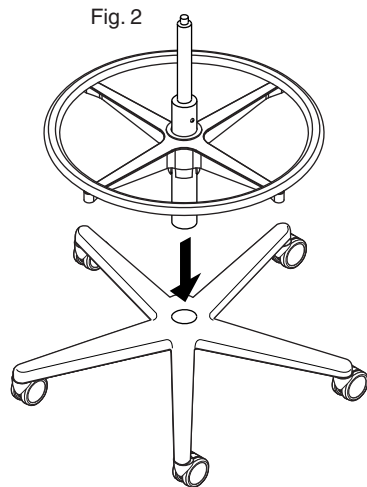
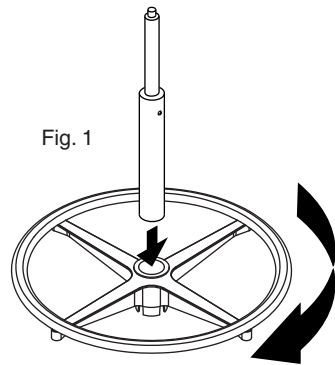
turnstone®

TS31101  
Standard

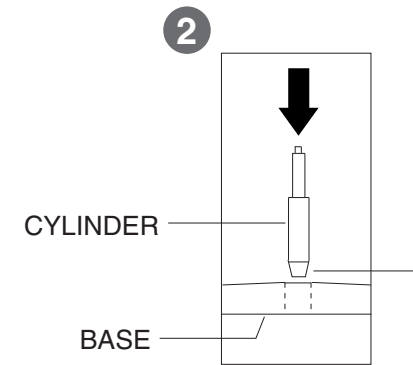
TS31102  
High Back



**For installation of optional stool kit**  
insert the gas cylinder into the foot ring and tighten (fig 1). Push the gas cylinder into the base (fig 2). Proceed to step 3.



1. Install casters in base.
2. Install Pneumatic cylinder in base.
3. Install chair on Pneumatic cylinder.
4. Carefully sit in chair to seat Pneumatic cylinder in chair and base.



**NOTE:** Make sure bottom of cylinder is inserted into the base.