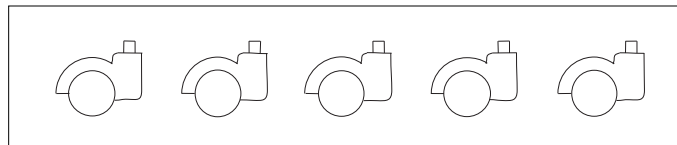
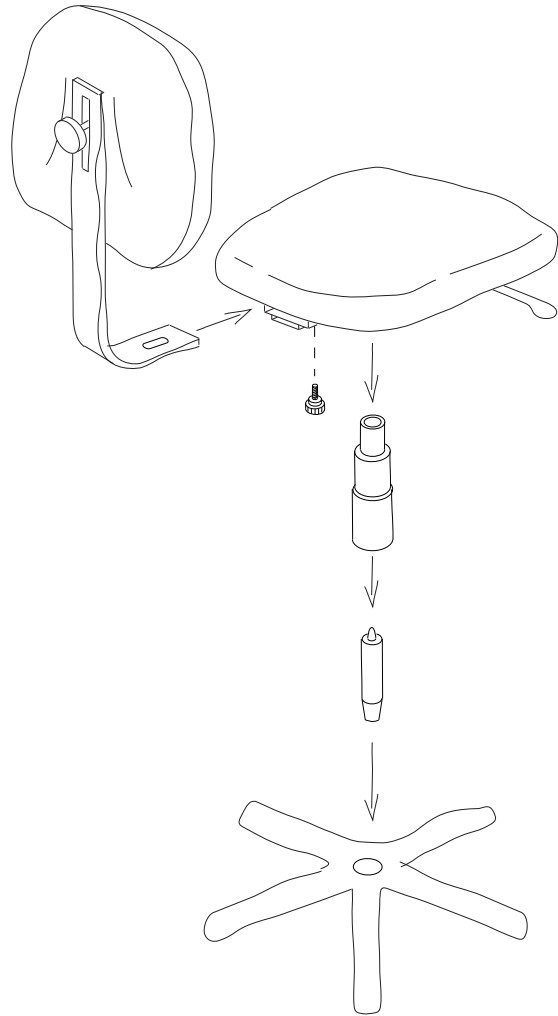
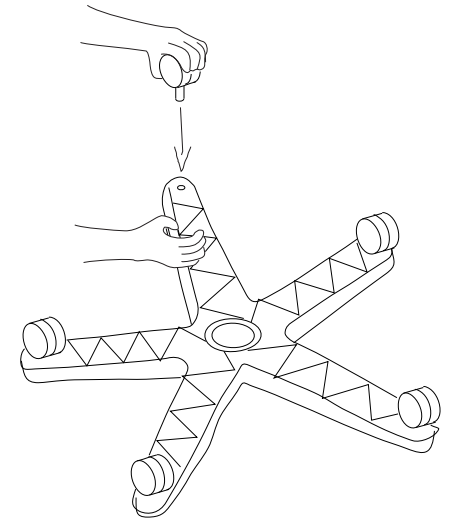


TS 300A

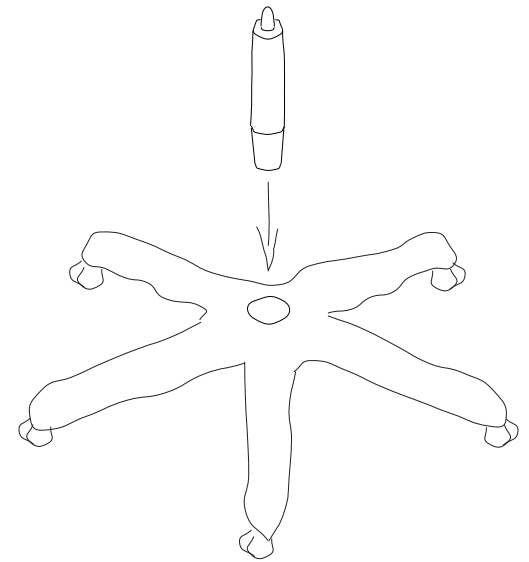


turnstone®

1. Insert the shafts of the casters into their corresponding sockets of the base. Push in firmly. Stand the base upright.

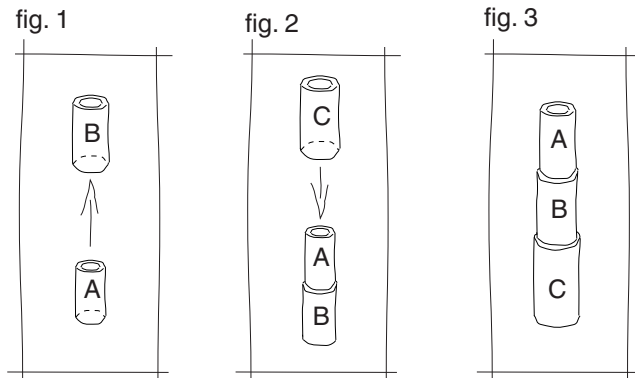


2. Insert cylinder into base
With base resting on floor, insert cylinder as shown.

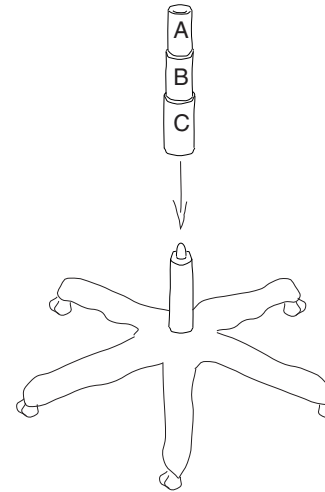


3. Assemble cylinder cover

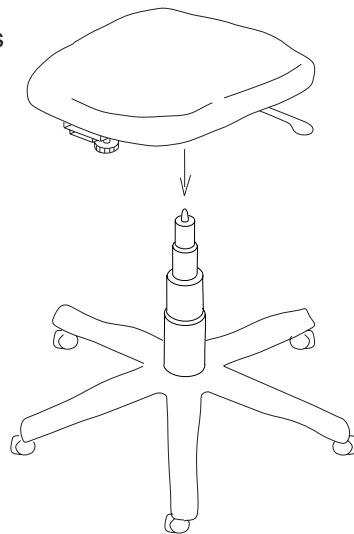
Slide cylinder (A) up through cylinder (B) (see fig 1). With cylinder (A) engaged with cylinder (B), slide cylinder (C) down over cylinders (A and B) (see fig 2). Refer to fig. 3 for completed assembly.



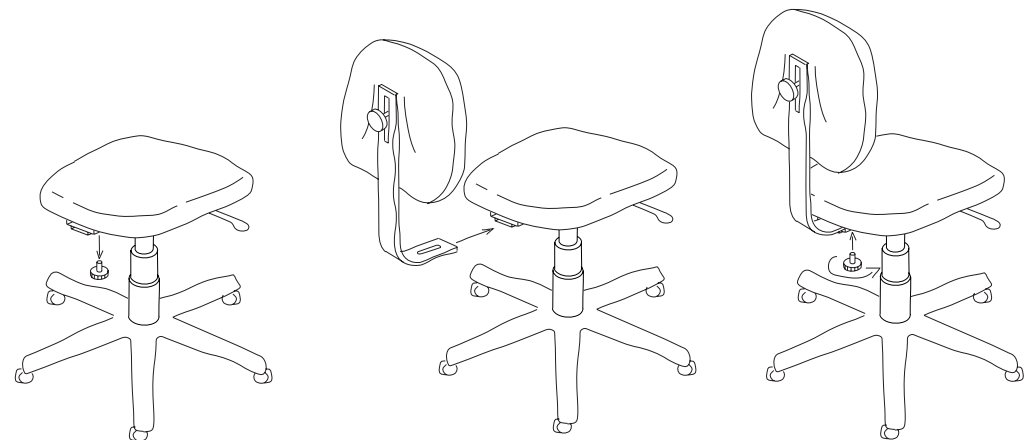
4. Push the cylinder covered with the telescopic sleeve into the base.



5. Attach seat to cylinder. Line up hole over cylinder, and place seat down. By grabbing the seat, firmly push the entire chair towards the floor to properly lock the taper on the cylinder into the seat and the base. Fig. 1 Fig. 2



6. Remove the knob from the control (Fig. 1). Push bottom end of the upright into the channel at the back of the control plate (Fig. 2) and tighten the seat hand wheel knob, as shown (Fig. 3).



Assembly of optional fixed T-arms

turnstone

Fig. 1

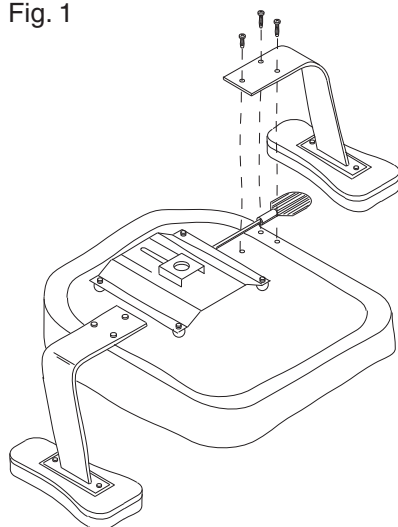


Fig. 2

