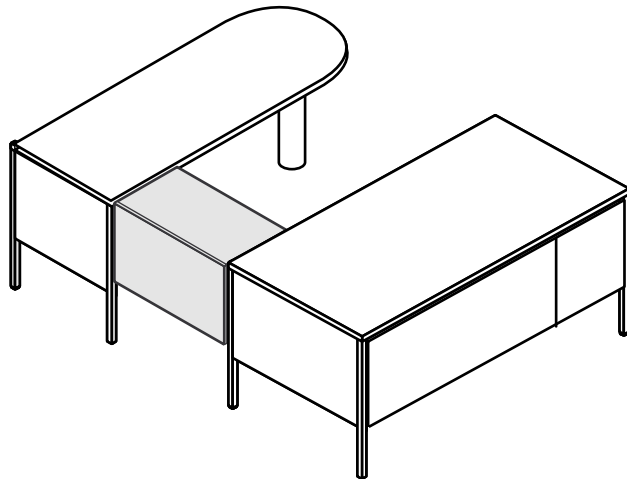
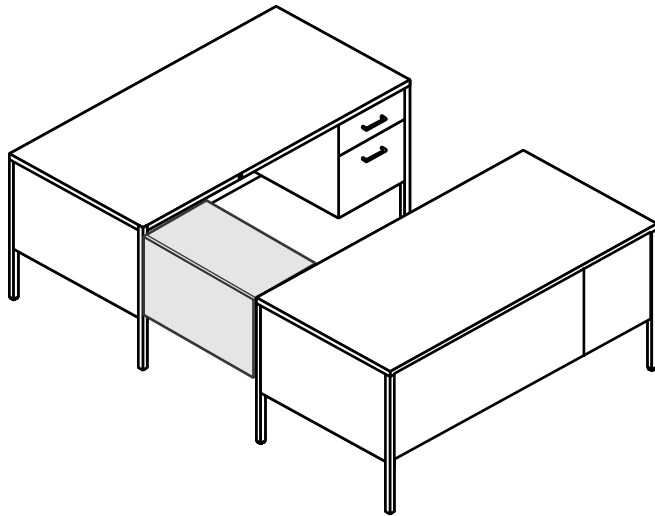


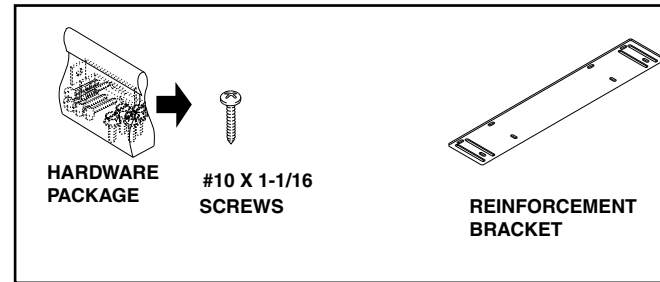
# 5300 Series Bridge Unit

turnstone®

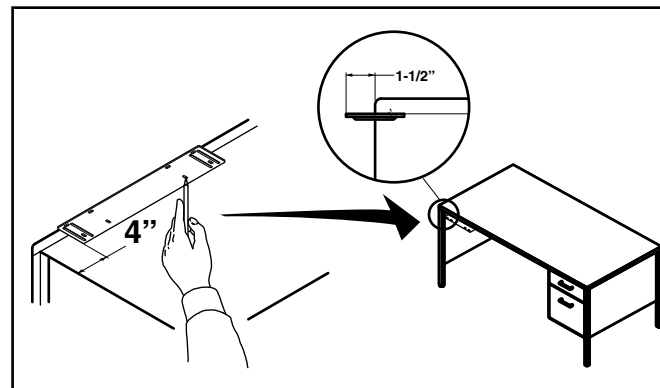
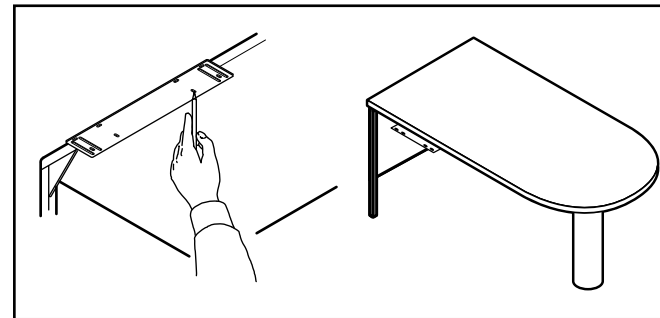


## Contains:

- 1) Hard ware Package
- 2) #10 x 1-1/16" screws
- 3) Reinforcement brackets

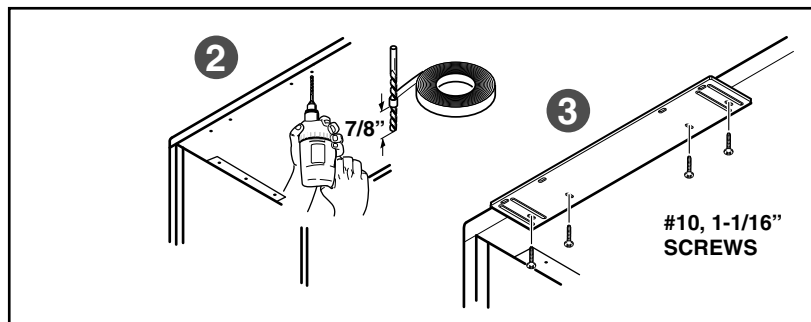


1. Position reinforcement bracket as shown, and Mark (4) Holes each.



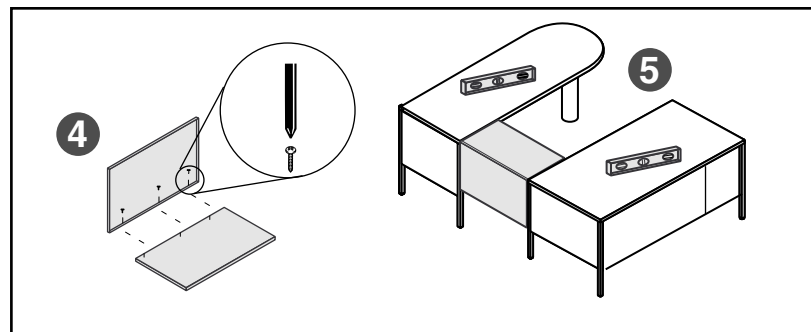
**2.** Drill (4) holes 1/8" Dia. x 3/4" Deep, for each bracket.

**3.** Attach reinforcement brackets.



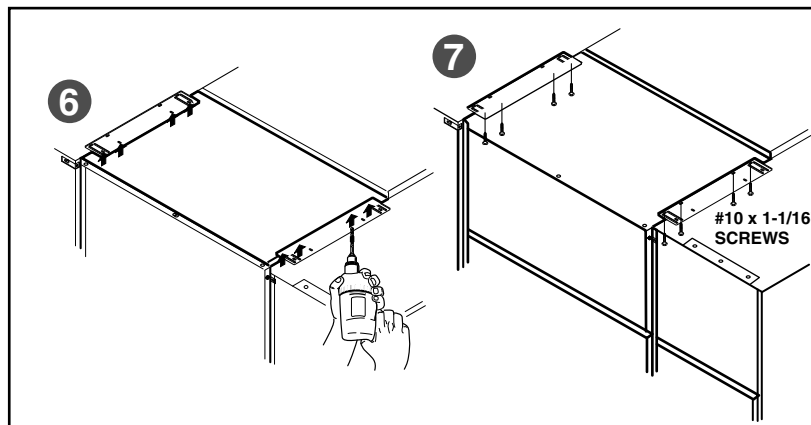
**4.** Attaching back panel to bridge unit top: Use back panel as template, center back panel with top.

**5.** Align the Level Parent units to Approximate length of the bridge unit, keeping all top surfaces even and edges flush.



**6.** Position bridge worksurface Between desk and drill (8) holes 1/8" Dia. x 3/4" deep.

**7.** Attach Bridge worksurface to Reinforcement brackets.



**8.** Lower back panel attachment. Tighten all screws.

