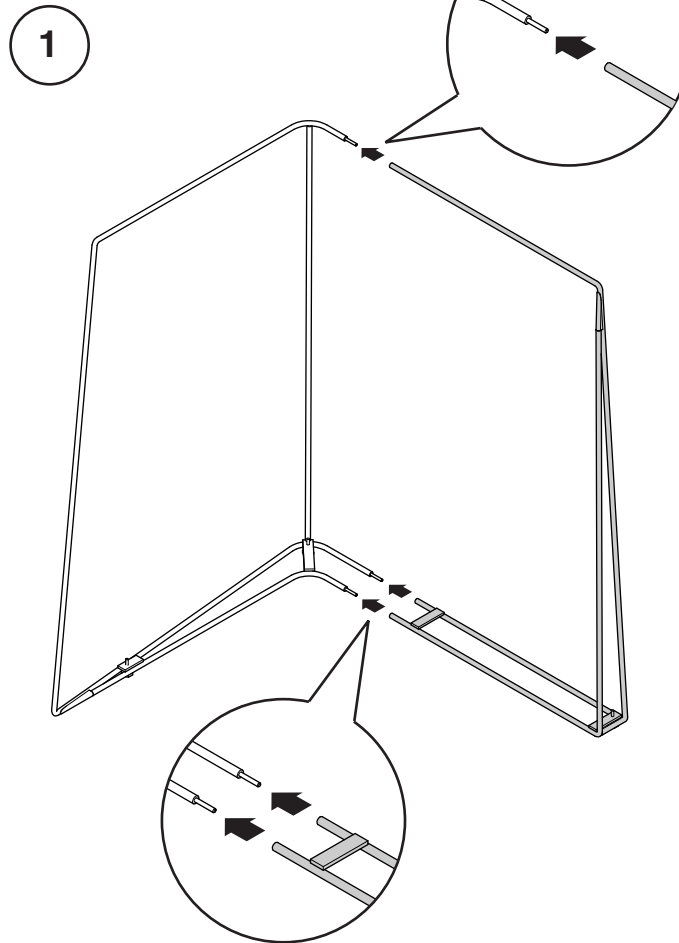
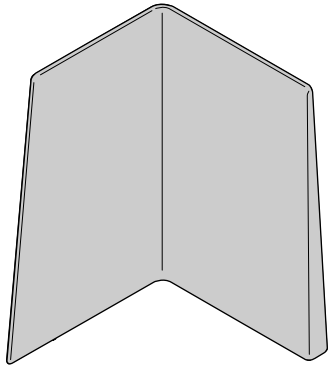


Campfire™ Screen

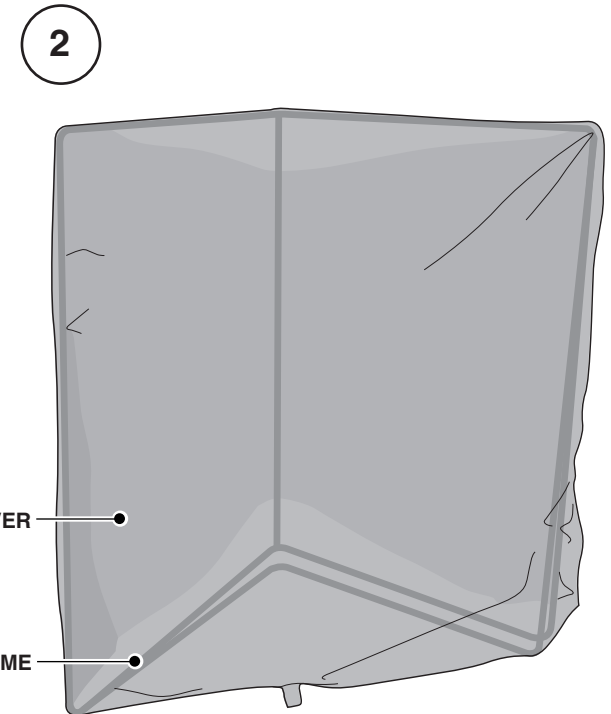
turnstone®



2. Orient the cover to the frame.

NOTE: A "LH" or "RH" sticker is located on the bottom of the frame. A corresponding LH/RH tag is located on the fabric sock.

NOTE: The 2" x 2" Velcro piece is the front inside corner.



turnstone

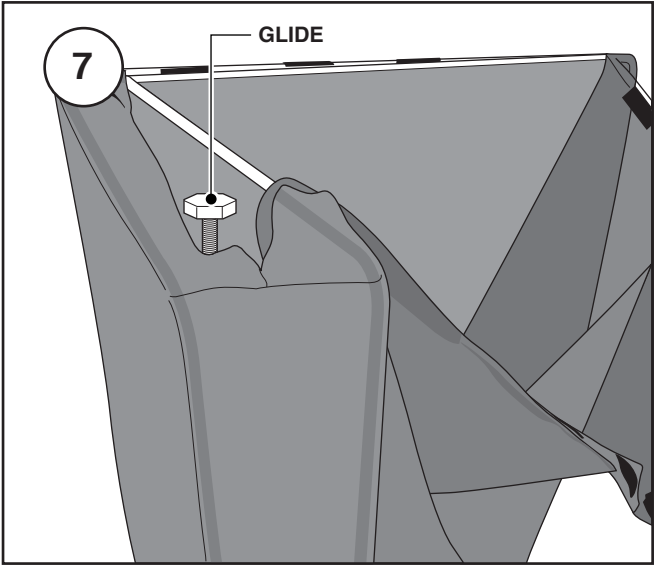
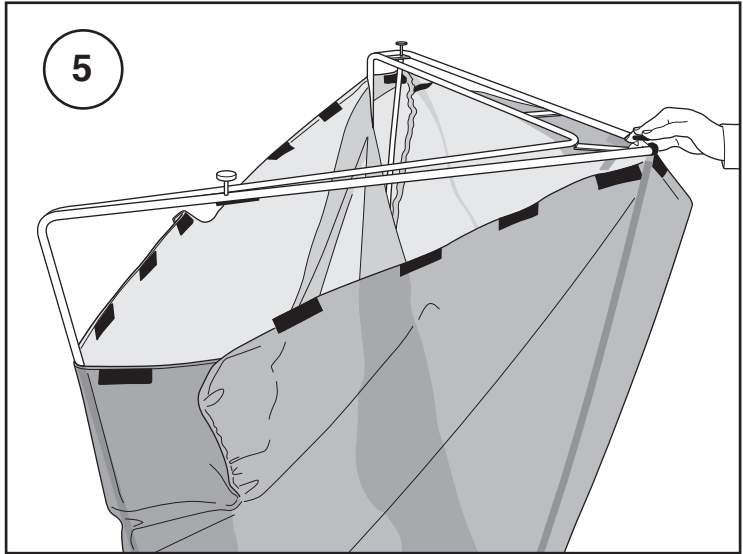
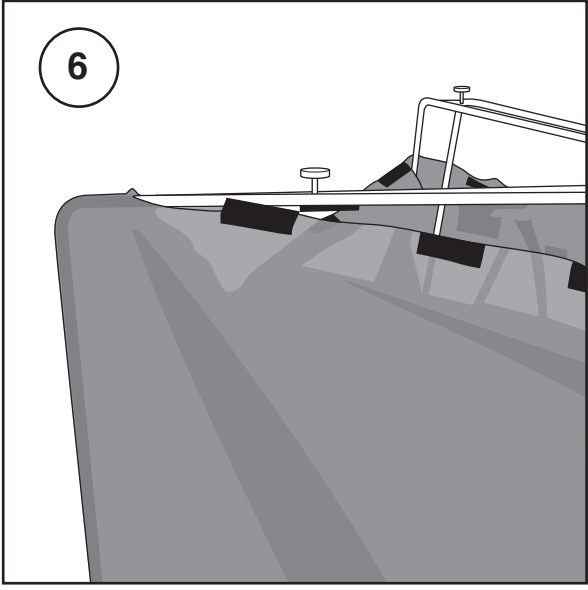
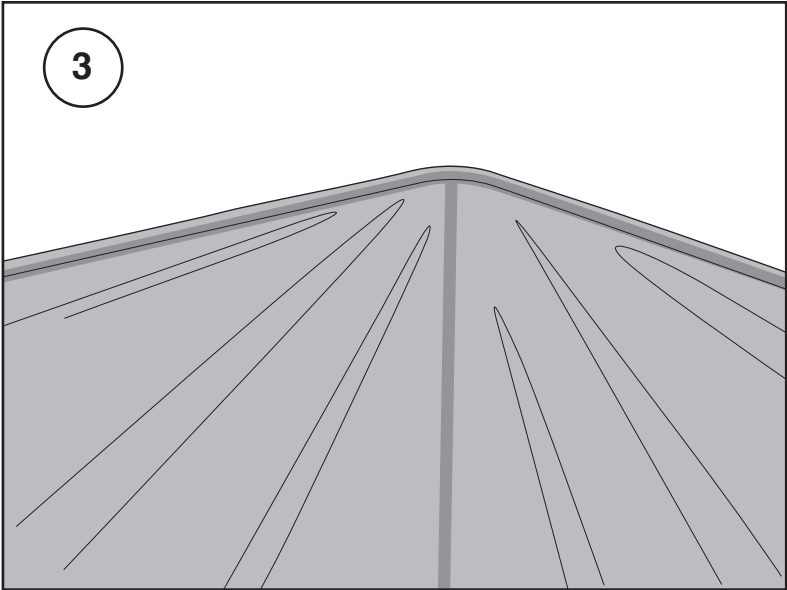
3. Drape cover over the frame

4. Flip the unit upside down.

5. Pull the cover over the angle side.

6. Align the top seams to the top of frame.

7. Pull the inside corner (over the glide).



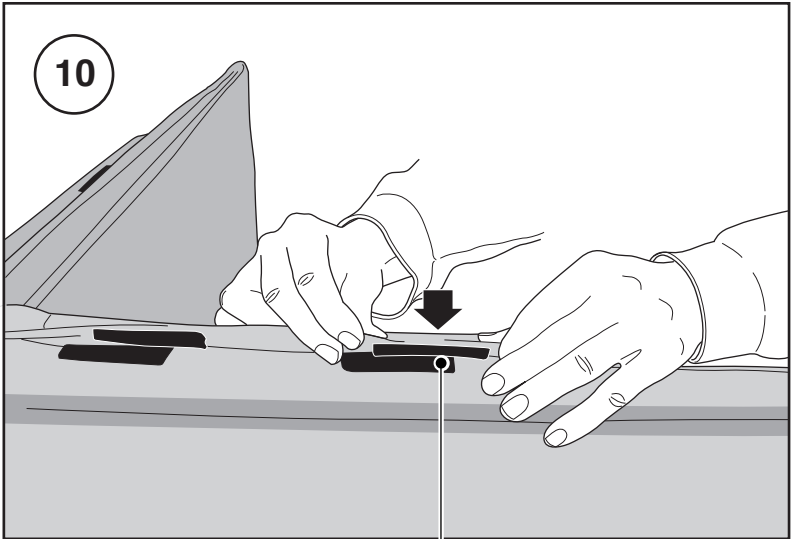
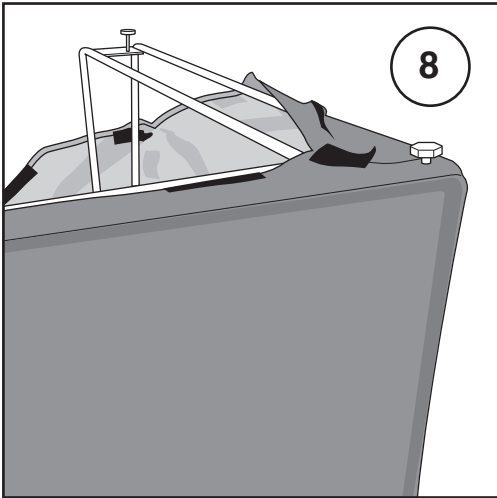
turnstone

8. Pull the cover over the 4" side.

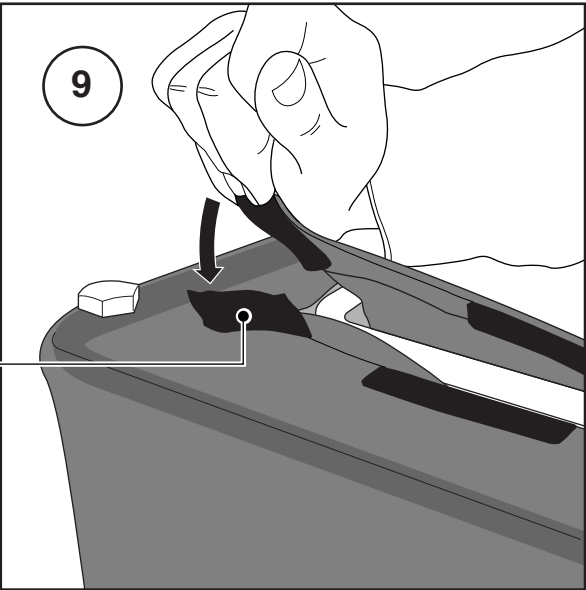
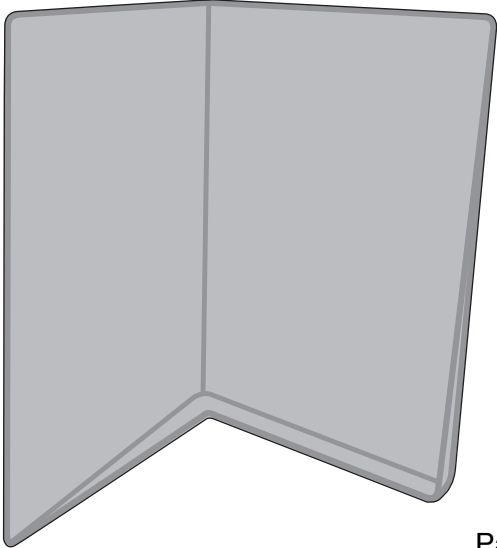
9. "Pull tightly" and secure the inside velcro (2" x 2" piece).

10. Attach the remaining velcro pieces.

NOTE: If there is looseness toward the bottom of the inside V, tighten up further the two Velcro pieces on either side of the center 2" x 2" pieces of Velcro. We've repositioned these slightly to help keep the inside radius at tight as possible.



VELCRO



2" x 2" PIECE OF VELCRO