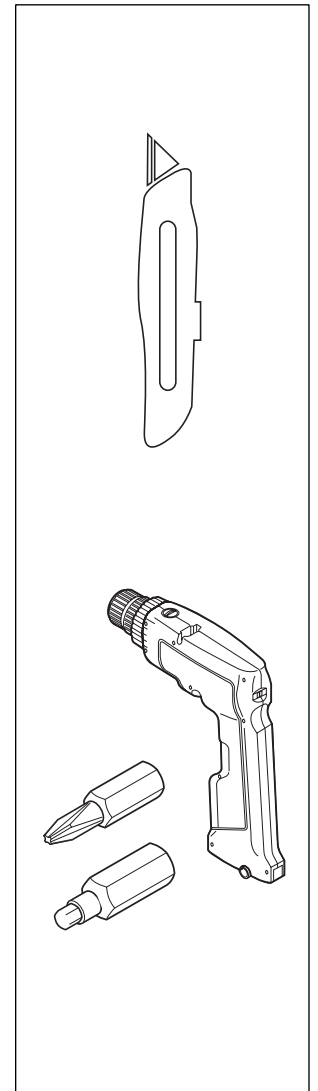
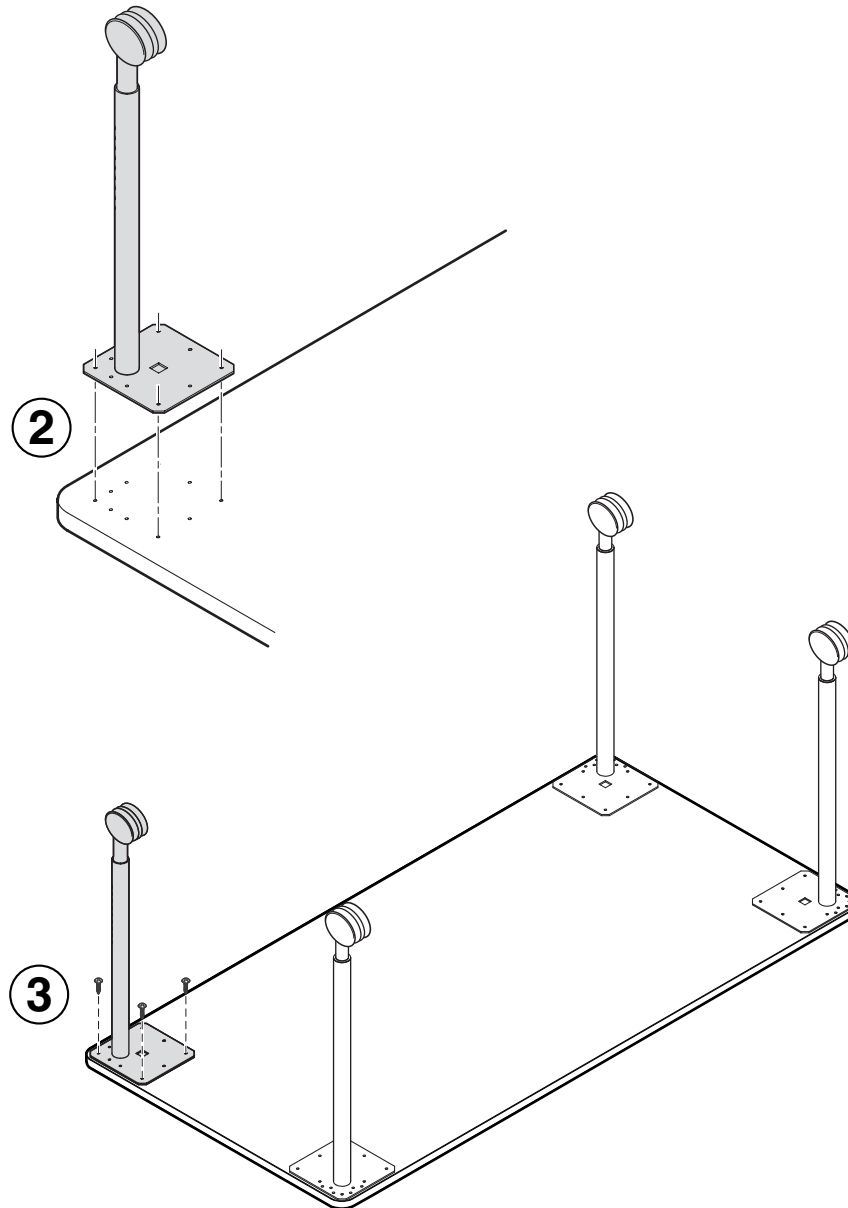


Simple Tables

turnstone®

Attaching Legs to a Worksurface

1. Carefully set worksurface onto its top on a clean, soft surface.
2. Align holes in the attachment plate with pilot holes in the worksurface.
3. Secure all leg assemblies with the screws provided.
4. Carefully turn assembled table over.



If you have a problem, question, or request, call your local dealer, or Steelcase Line 1 at **888.STEELCASE** (888.783.3522) for immediate action by people who want to help you. (Outside the U.S.A., Canada, Mexico, Puerto Rico, and the U.S. Virgin Islands, call: 1.616.247.2500) Or visit our website: www.steelcase.com

© 2012 Steelcase Inc.
Grand Rapids, MI 49501
U.S.A.

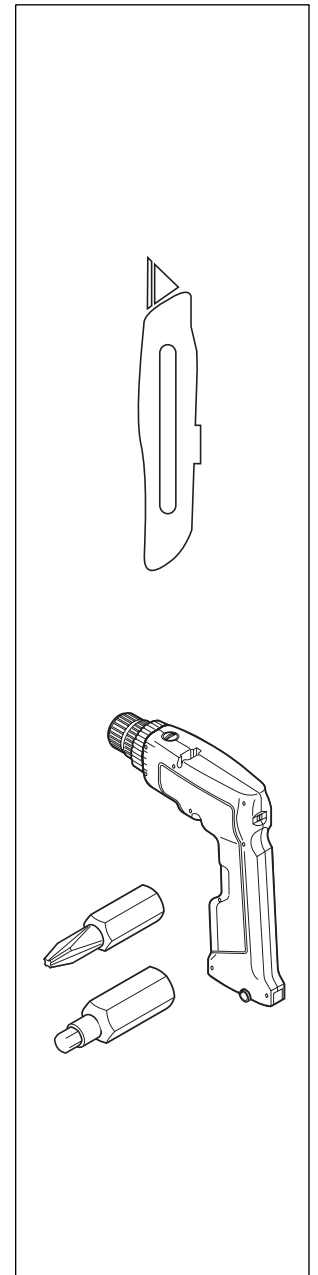
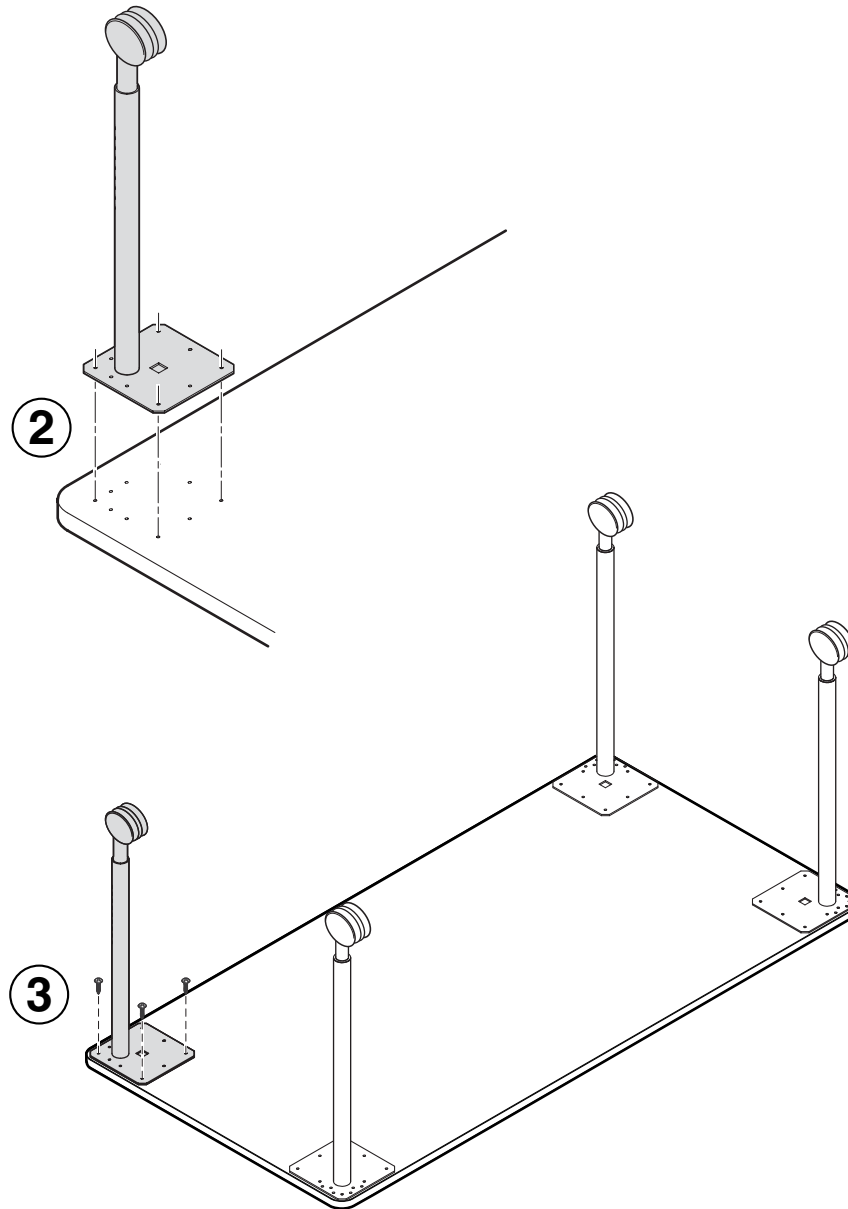
Printed in U.S.A.

Tables uniques

turnstone®

Fixation des pattes à une surface de travail

- 1.** Déposez soigneusement le dessus de la surface de travail sur une surface lisse et propre.
- 2.** Alignez les trous de la plaque de fixation avec les trous de départ de la surface de travail.
- 3.** Fixez toutes les pattes au moyen des vis fournies.
- 4.** Retournez soigneusement la table assemblée.



If you have a problem, question, or request, call your local dealer, or Steelcase Line 1 at **888.STEELCASE** (888.783.3522) for immediate action by people who want to help you. (Outside the U.S.A., Canada, Mexico, Puerto Rico, and the U.S. Virgin Islands, call: 1.616.247.2500) Or visit our website: www.steelcase.com

© 2012 Steelcase Inc.
Grand Rapids, MI 49501
U.S.A.

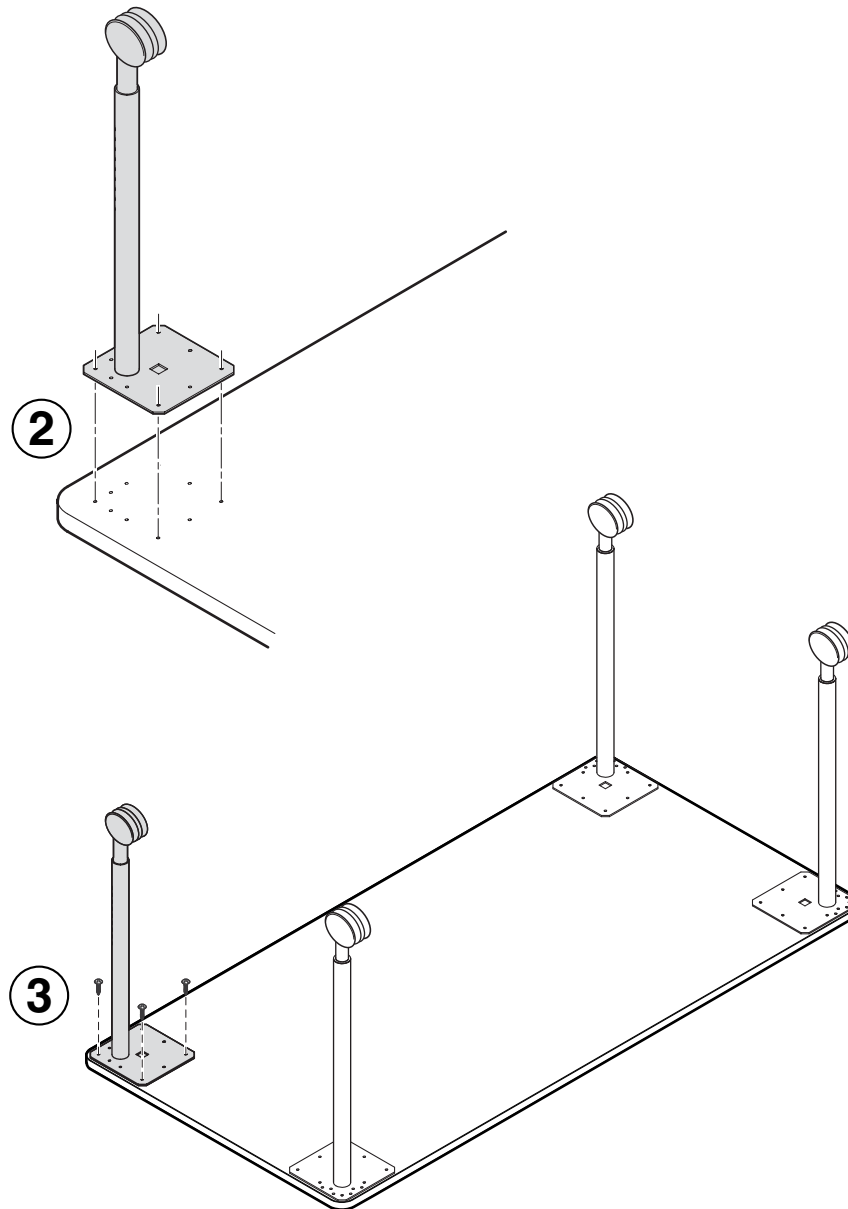
Printed in U.S.A.

Mesas simples

turnstone®

Fixação das pernas a uma superfície de trabalho

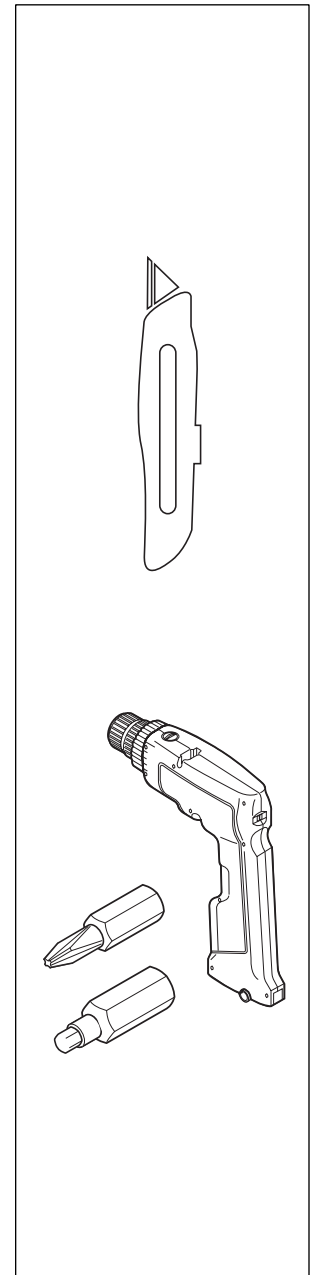
- 1.** Posicione cuidadosamente a superfície de trabalho com a parte superior em uma superfície limpa e macia.
- 2.** Alinhe os orifícios na placa de fixação com os orifícios-piloto na superfície de trabalho.
- 3.** Fixe todos os conjuntos da perna com os parafusos fornecidos.
- 4.** Vire cuidadosamente a mesa montada.



If you have a problem, question, or request, call your local dealer, or Steelcase Line 1 at **888.STEELCASE** (888.783.3522) for immediate action by people who want to help you. (Outside the U.S.A., Canada, Mexico, Puerto Rico, and the U.S. Virgin Islands, call: 1.616.247.2500) Or visit our website: www.steelcase.com

© 2012 Steelcase Inc.
Grand Rapids, MI 49501
U.S.A.

Printed in U.S.A.

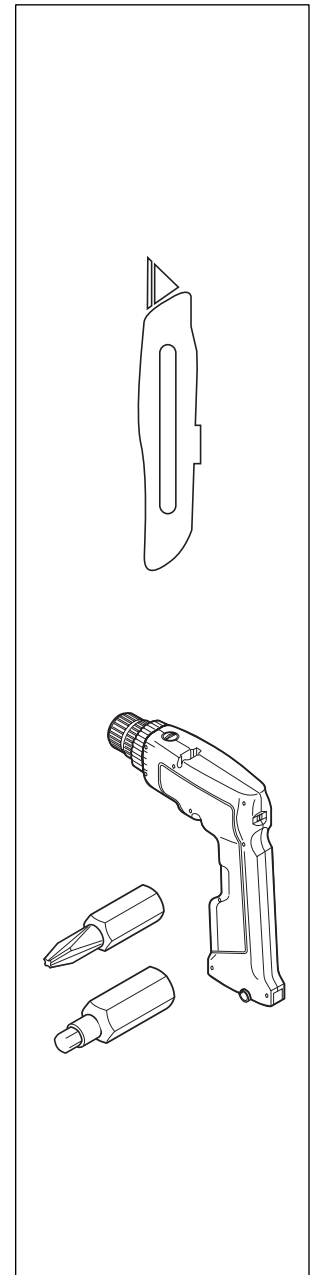
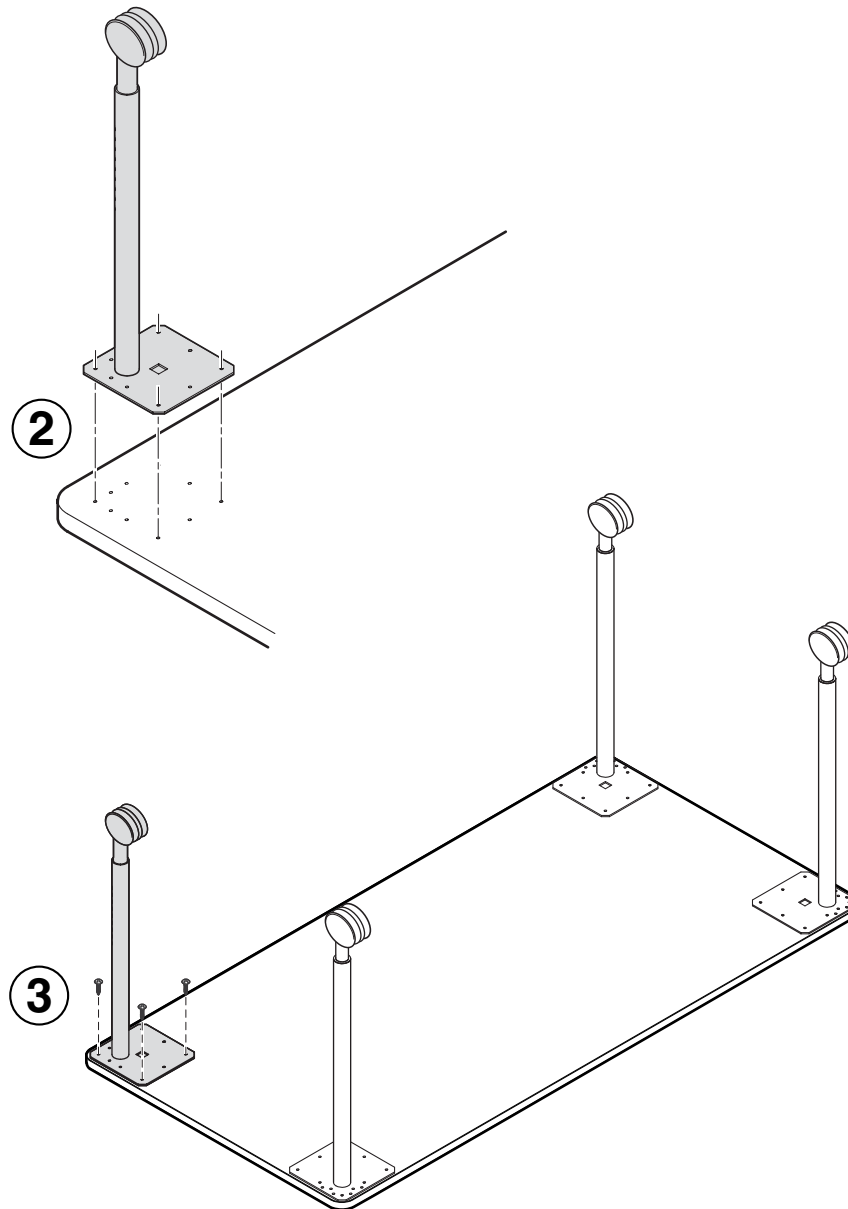


Mesas simples

turnstone®

Sujeción de las patas a la superficie de trabajo

- 1.** Ponga con cuidado la parte superior de la superficie de trabajo sobre una superficie limpia y suave.
- 2.** Alinee los orificios en la placa de sujeción con los orificios guías de la superficie de trabajo.
- 3.** Asegure todos los ensambles pata con los tornillos provistos.
- 4.** Dé la vuelta con cuidado la mesa ensamblada.

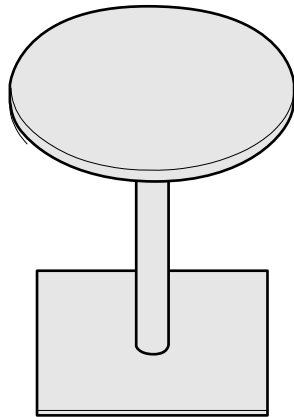


If you have a problem, question, or request, call your local dealer, or Steelcase Line 1 at **888.STEELCASE** (888.783.3522) for immediate action by people who want to help you. (Outside the U.S.A., Canada, Mexico, Puerto Rico, and the U.S. Virgin Islands, call: 1.616.247.2500) Or visit our website: www.steelcase.com

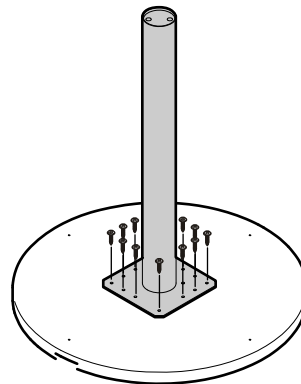
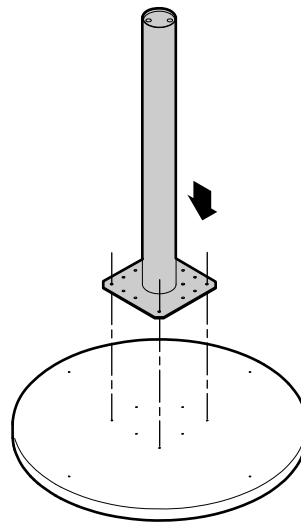
© 2012 Steelcase Inc.
Grand Rapids, MI 49501
U.S.A.

Printed in U.S.A.

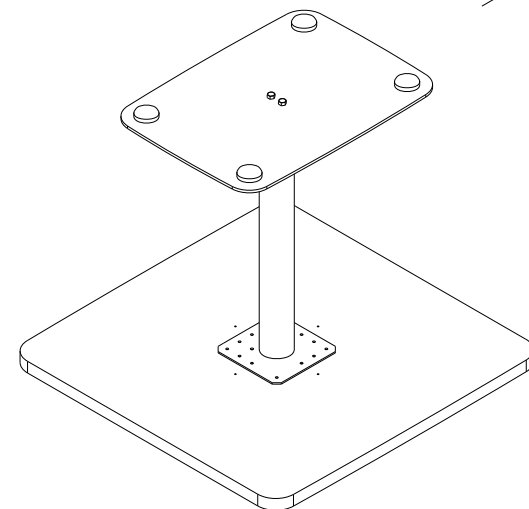
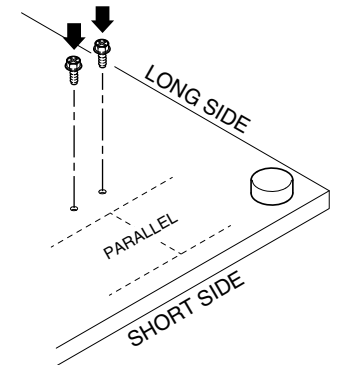
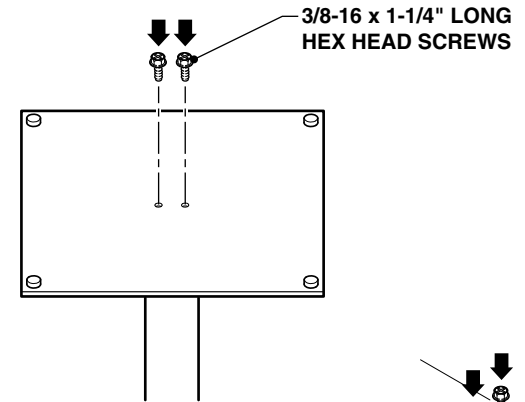
Attaching Column(s) to a Worksurface



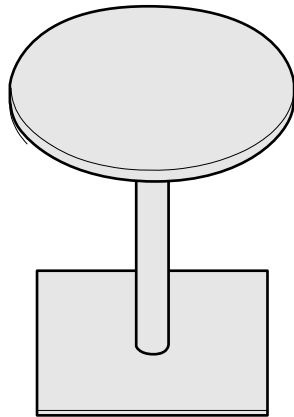
1 COLUMN LEG



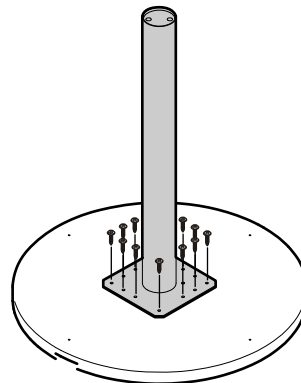
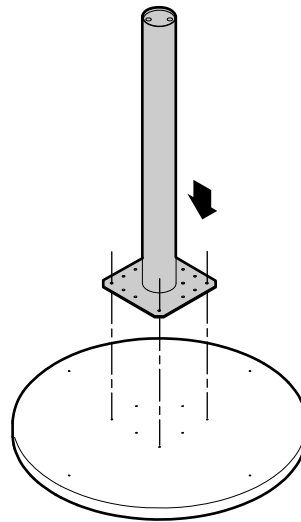
2 BASE ASSEMBLY



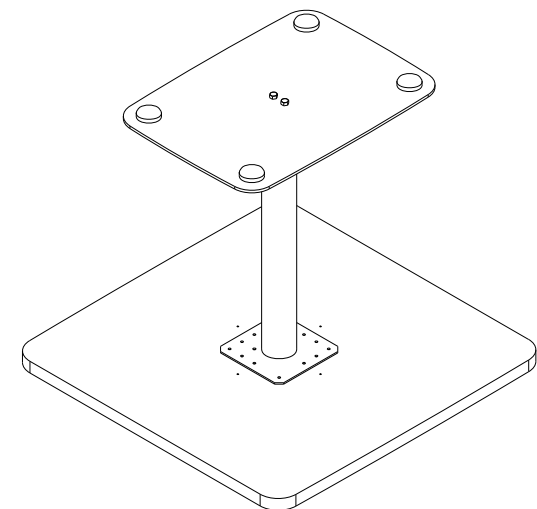
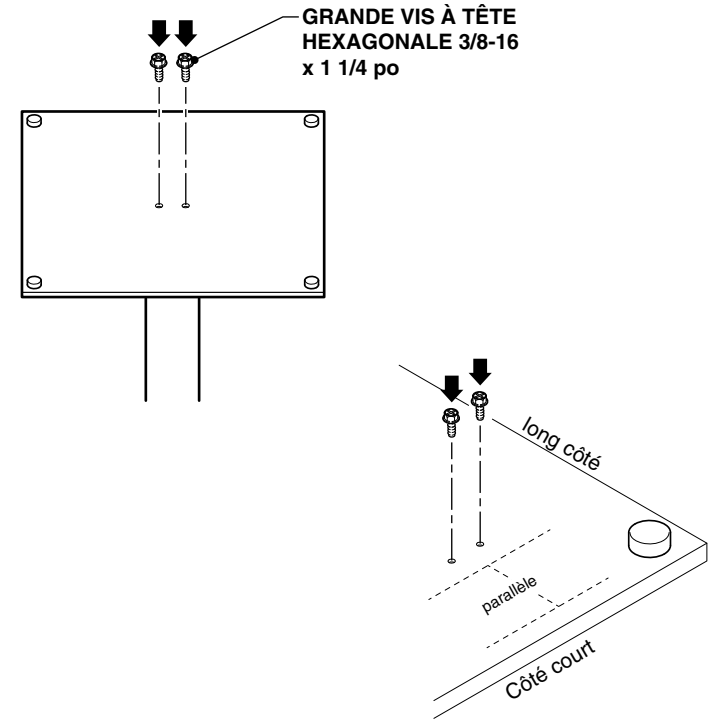
Fixation des colonnes à une surface de travail



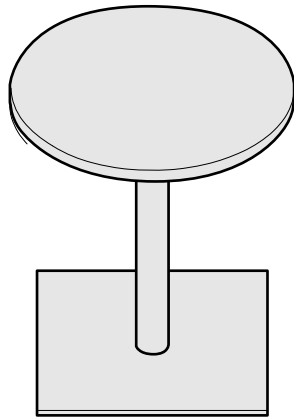
1 PATTE-COLONNE



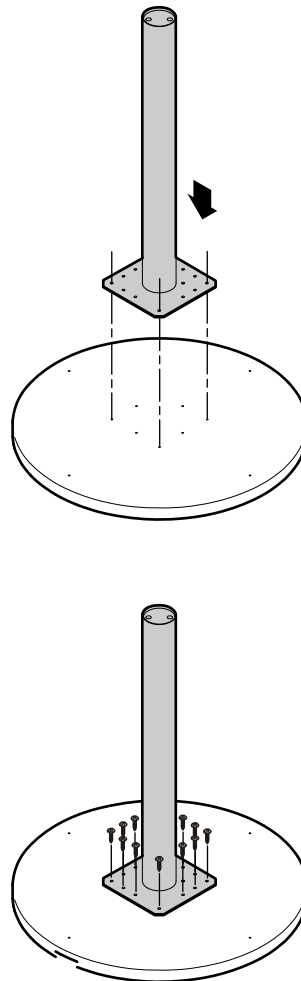
2 BASE DE PATTE



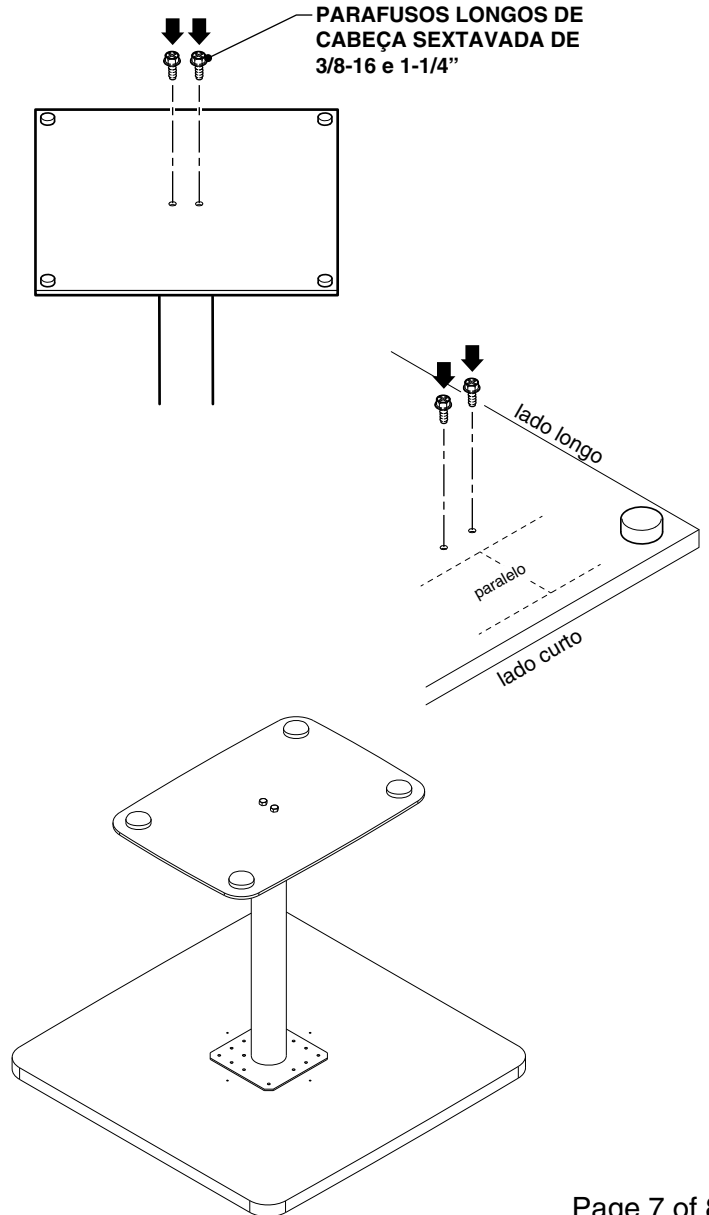
Fixando as colunas em uma superfície de trabalho



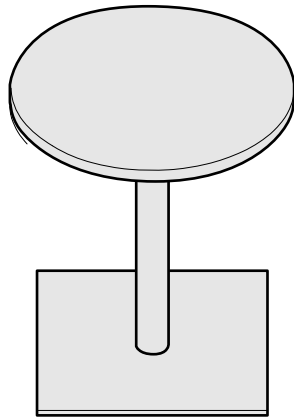
1 PERNA DA COLUNA



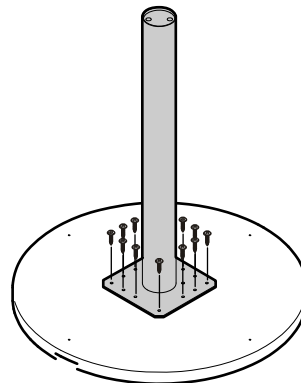
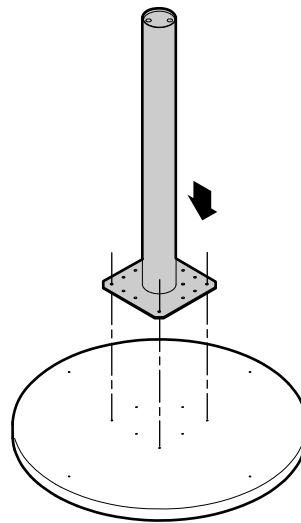
2 MONTAGEM DA BASE



Fijación de las columnas a la superficie de trabajo



1 PATA DE COLUMNA



2 ENSAMBLE BASE

TORNILLOS DE CABEZA
HEXAGONAL de 3/8-16
x 1-1/4 pulgadas de LARGO

