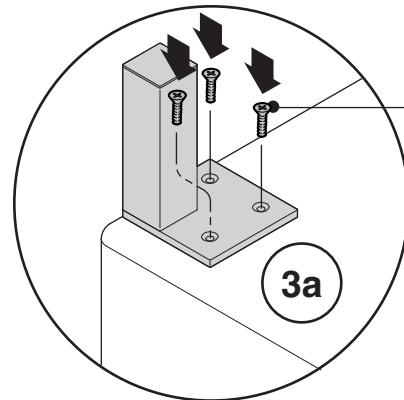
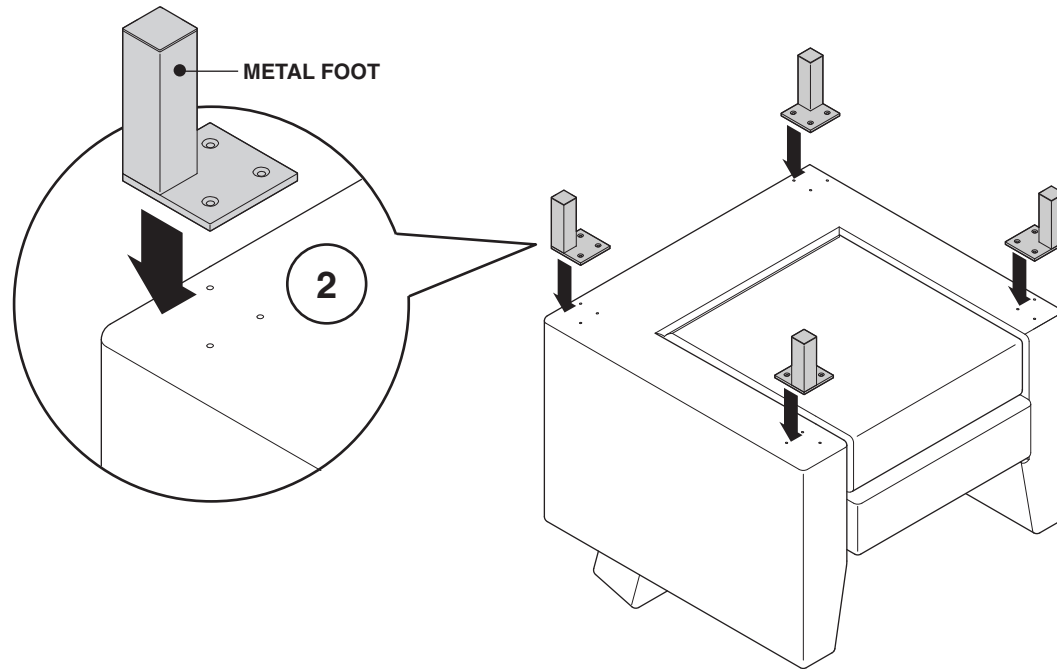


Lincoln™ Lounge Chair Installation Instructions

turnstone®

Metal Foot

1. Turn chair over.
(Be careful not to scratch leather)
2. Place metal foot onto underside of chair. Orient as shown with post leg towards corner of the chair.
3. Insert three (3) 1/4-20 x 1" flat head screws through holes in foot and into holes on underside of chair (3a). Tighten screws using a phillips bit (3b).
4. Repeat procedure for remaining feet.



1/4-20 X 1" FLAT HEAD SCREW

