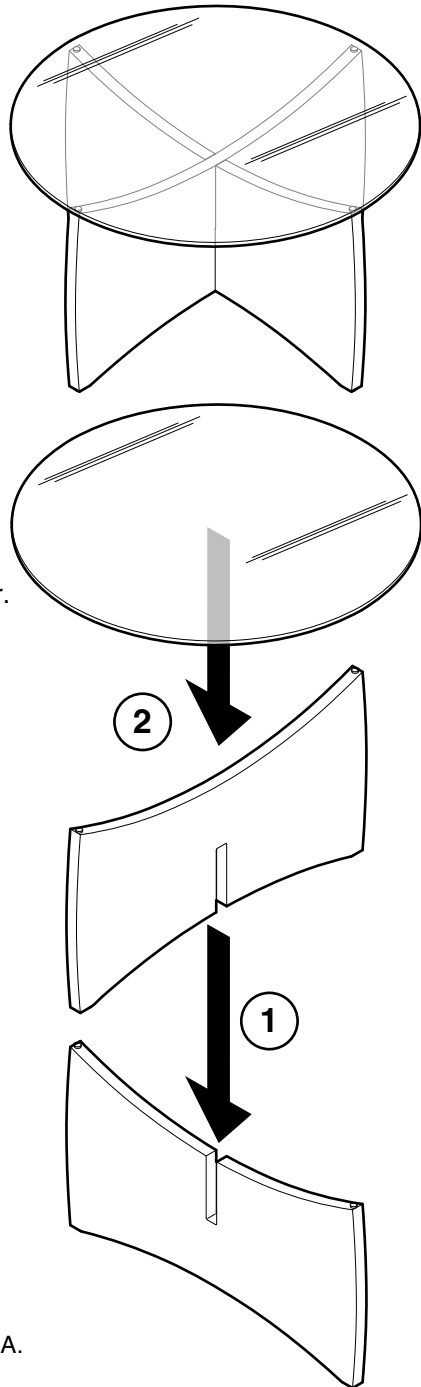


Alight™ Coffee and End Tables

turnstone®

COFFEE TABLE

1. Slide left hand & right hand table bases together.
2. Place glass table top onto urethane bumpers.



END TABLE

1. Determine the desired orientation for the base assembly.
2. Install glides onto the bottom of each table base with a hammer.
3. Install urethane bumpers onto the top of each table base.
4. Slide left hand & right hand table bases together.
5. Place glass table top onto urethane bumpers.

