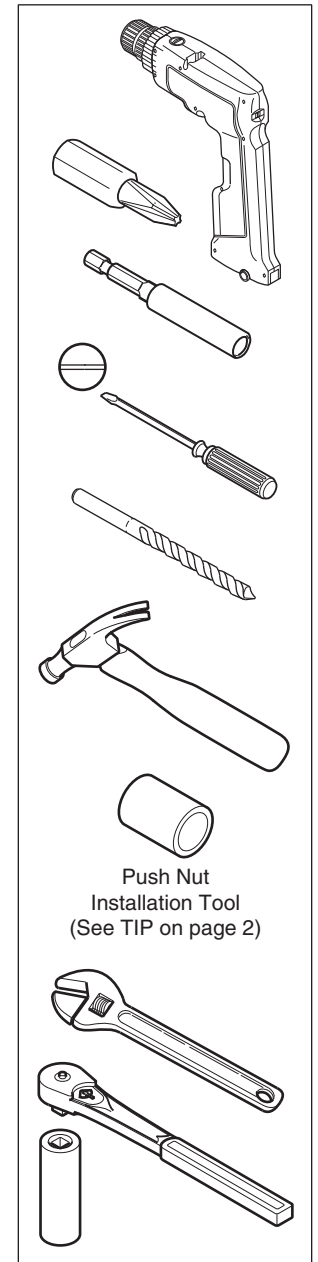
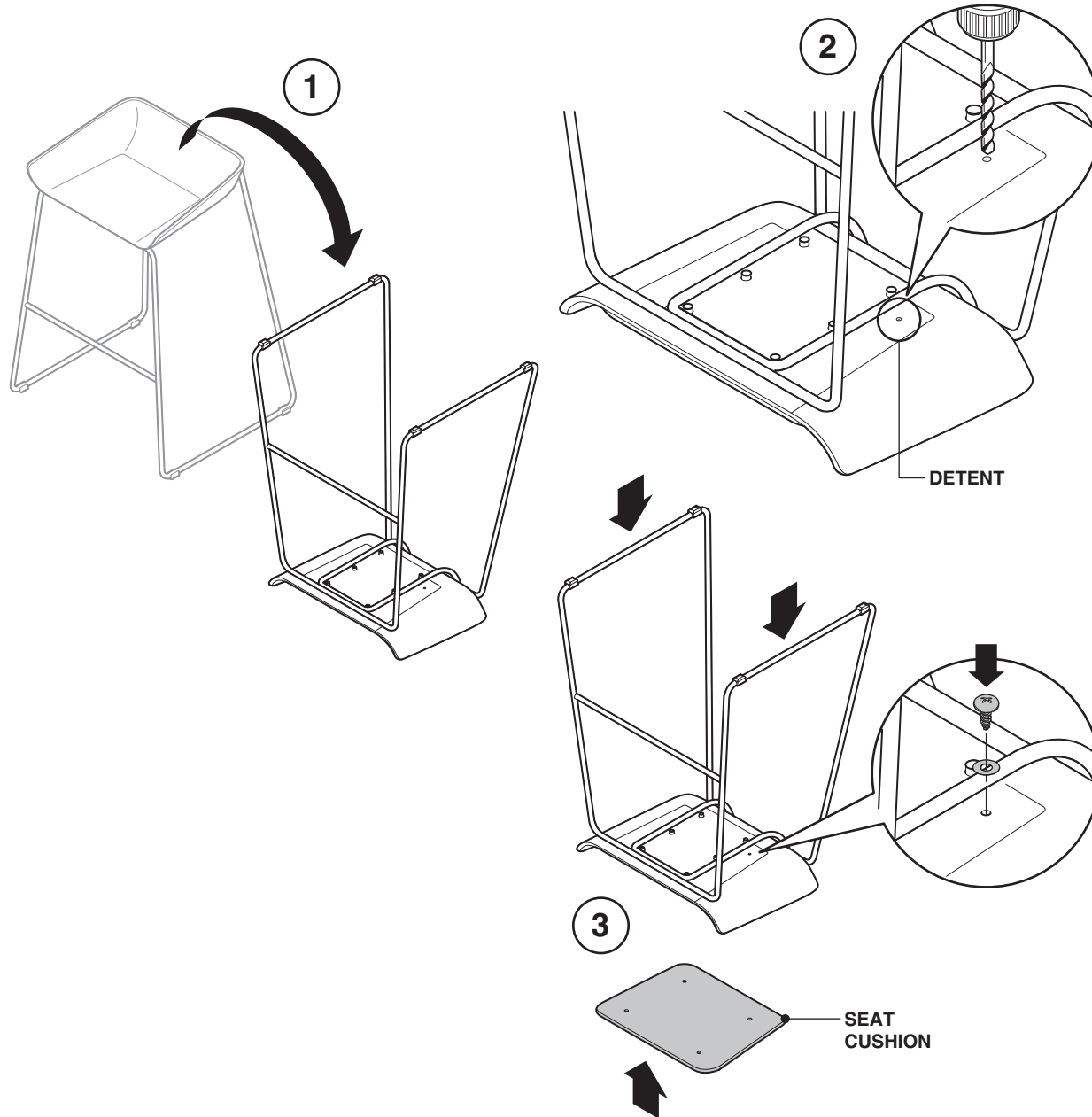


Attaching a Seat Cushion

- 1.** Tip chair upside down.
- 2.** Drill 1/4 inch holes in four (4) locations. There are four (4) detents in the bottom of the seat shell.
- 3.** Attach seat cushion with four (4) #10-24 x 5/8" screws and four (4) #10 washers.



Replacing the Seat Shell

1. Tip chair upside down.
2. Remove six (6) push nuts with flat head screwdriver (2a) or remove six (6) speed nuts with a 3/4" wrench or socket (2b).
3. Replace seat shell.
4. Assemble six (6) push nuts.

TIP: A two to three inch long piece of schedule 40 - 1/2 inch inside diameter can be used as a push nut installation tool or a deep well socket 1/2"-5/8" can also be used as a push nut installation tool.

TIP: Backing up the seat shell so it can't flex away from the frame making a gap when the push nut is installed will provide a tighter fit.

NOTE: Remove and discard the six (6) rubber bushings if the chair was manufactured prior to October 11, 2010.

