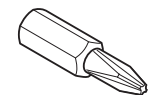
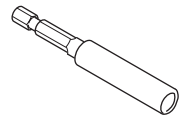
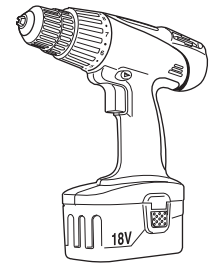
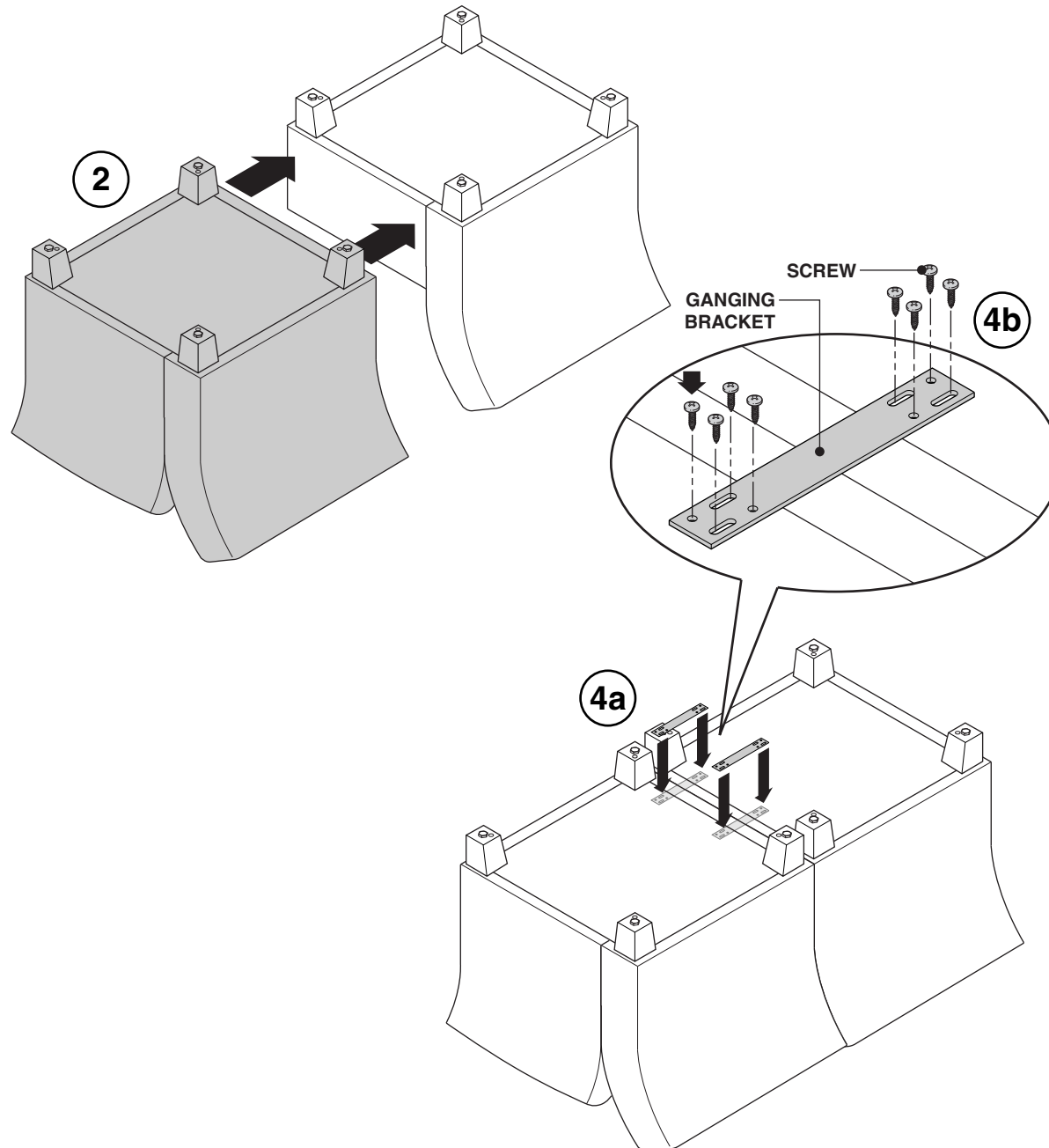


# Jenny™ Chair and Alight™ Ottoman Ganging Bracket Kit

turnstone®

## Ganging Chairs Together

1. Turn each chair over.
2. Slide chair next to the other chair.
3. Locate screw pilot holes under bottom cover.
4. Place two (2) ganging brackets to underside of chairs as shown (4a). Secure using eight (8) screws per bracket (4b).



## Ganging Ottomans Together

1. Turn each ottoman over.
2. Slide ottoman next to the other ottoman.
3. Locate screw pilot holes under bottom cover.
4. Place two (2) ganging brackets to underside of ottomans as shown (4a). Secure using eight (8) screws per bracket (4b).

