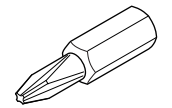


HEX DRIVE



PHILLIPS DRIVE

If you have a problem, question, or request, call your local dealer, or Steelcase Line 1 at **888.STEELCASE** (888.783.3522) for immediate action by people who want to help you.

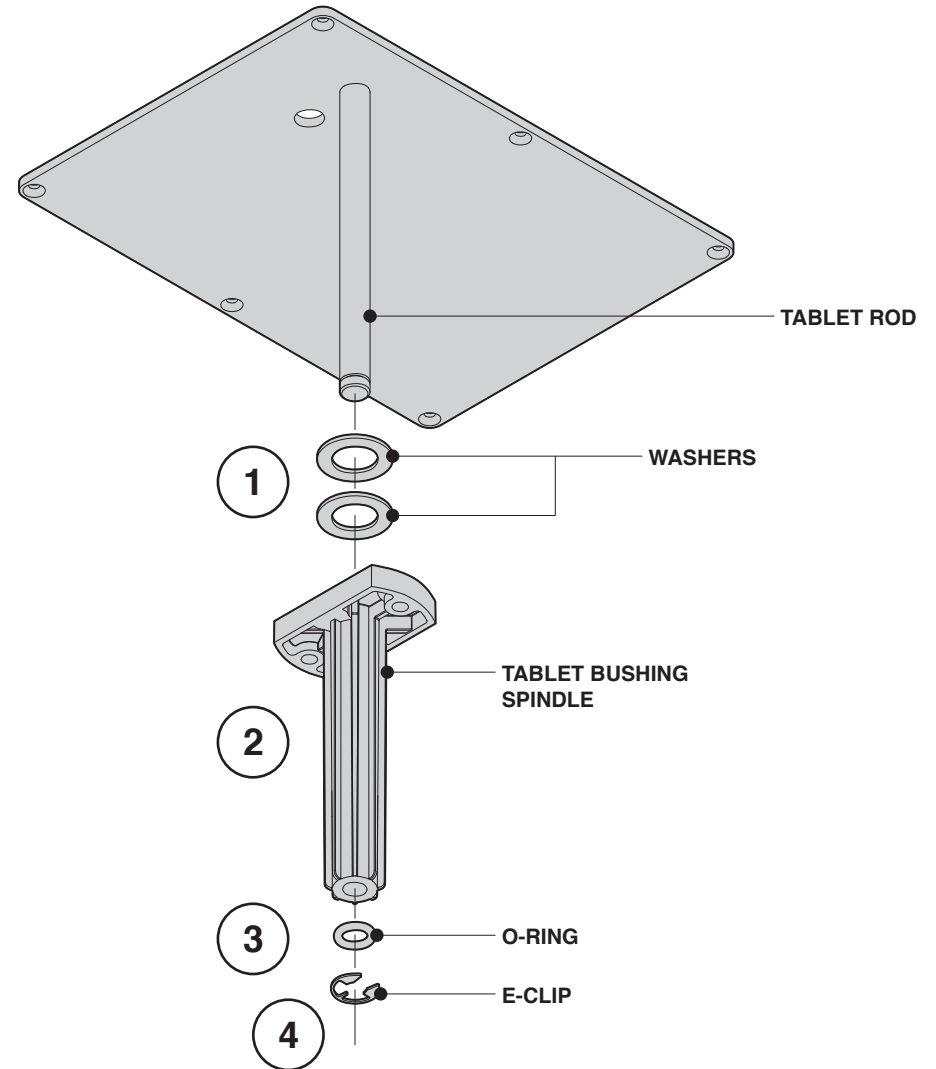
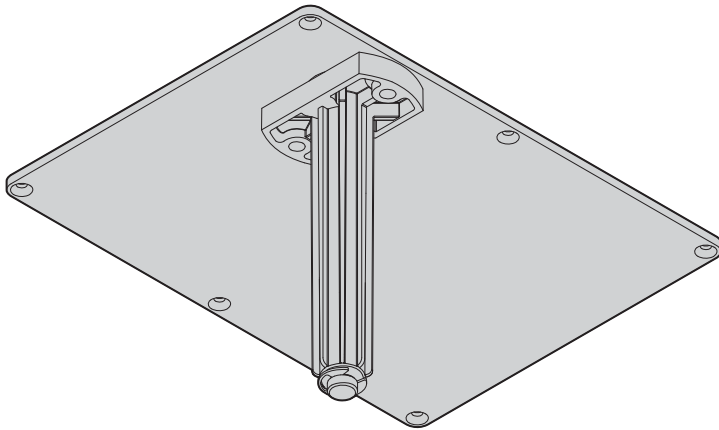
(Outside the U.S.A., Canada, Mexico, Puerto Rico, and the U.S. Virgin Islands, call: 1.616.247.2500)
Or visit our website: www.steelcase.com

© 2014 Steelcase Inc.
Grand Rapids, MI 49501
U.S.A.

Printed in U.S.A.

Tablet Plate Spindle Assembly

1. Slide two (2) washers onto the tablet rod.
2. Insert tablet rod into the tablet bushing spindle.
3. Slide o-ring onto the end of the tablet rod.
4. Attach e-clip into the groove on the tablet rod.



Tablet Assembly (Without Arm Cap)

1. Locate pilot holes that are pre-drilled under fabric & foam. Cut fabric & foam to expose pilot holes in wood.

CAUTION: Take care not to damage the threads.

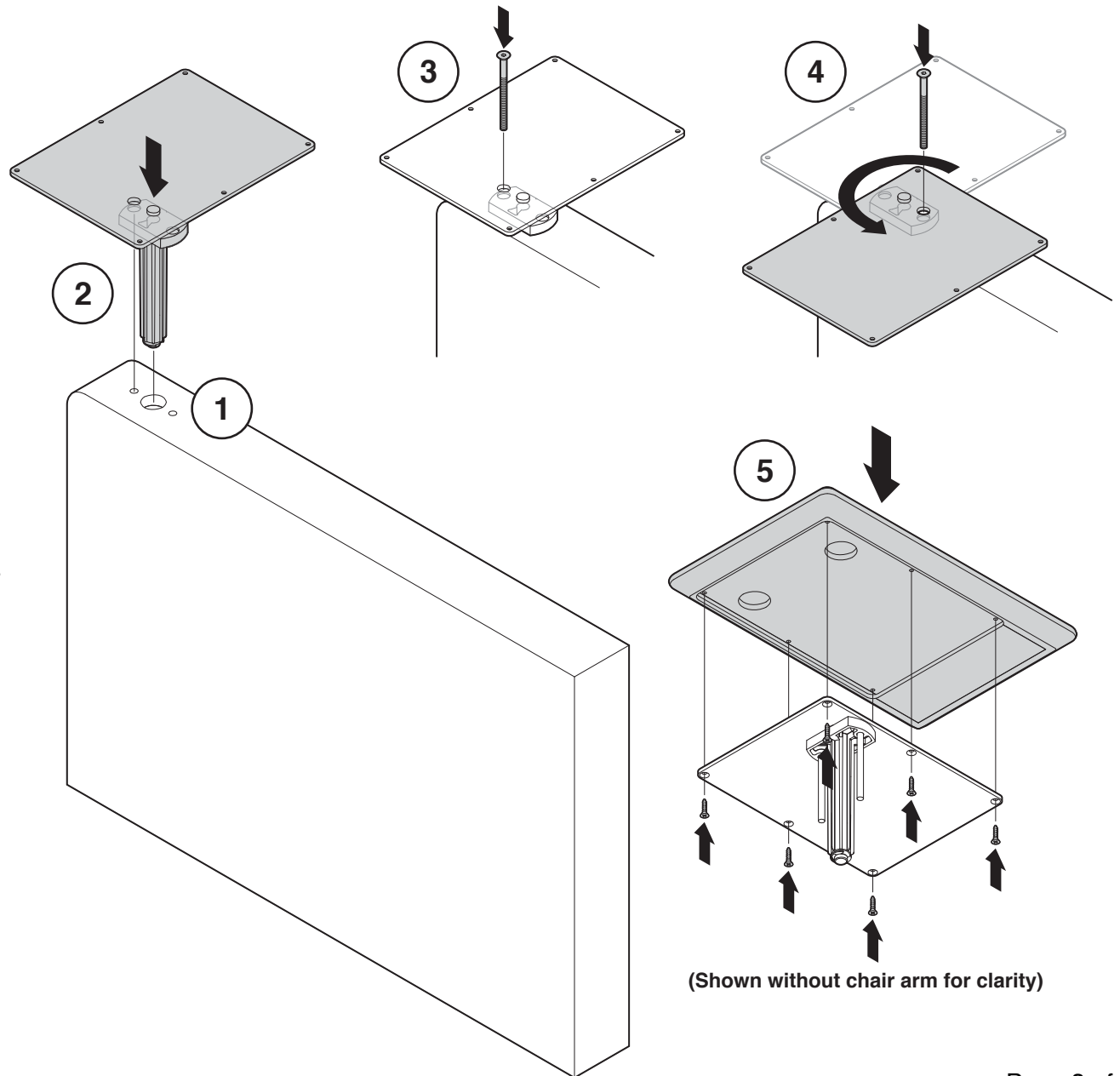
2. Install tablet plate spindle assembly into large center hole.

NOTE: Make sure holes in tablet bushing spindle are lined up with smaller holes in arm.

3. Rotate tablet plate so that the hole in the plate lines up with the hole in the tablet bushing spindle. Install screw.

4. Rotate tablet plate 180 degrees and install second screw.

5. Attach table top to tablet plate with six (6) wood screws.



Tablet Assembly (With Arm Cap)

1. Replace the arm cap with the arm cap for tablet (with holes for tablet plate spindle assembly).

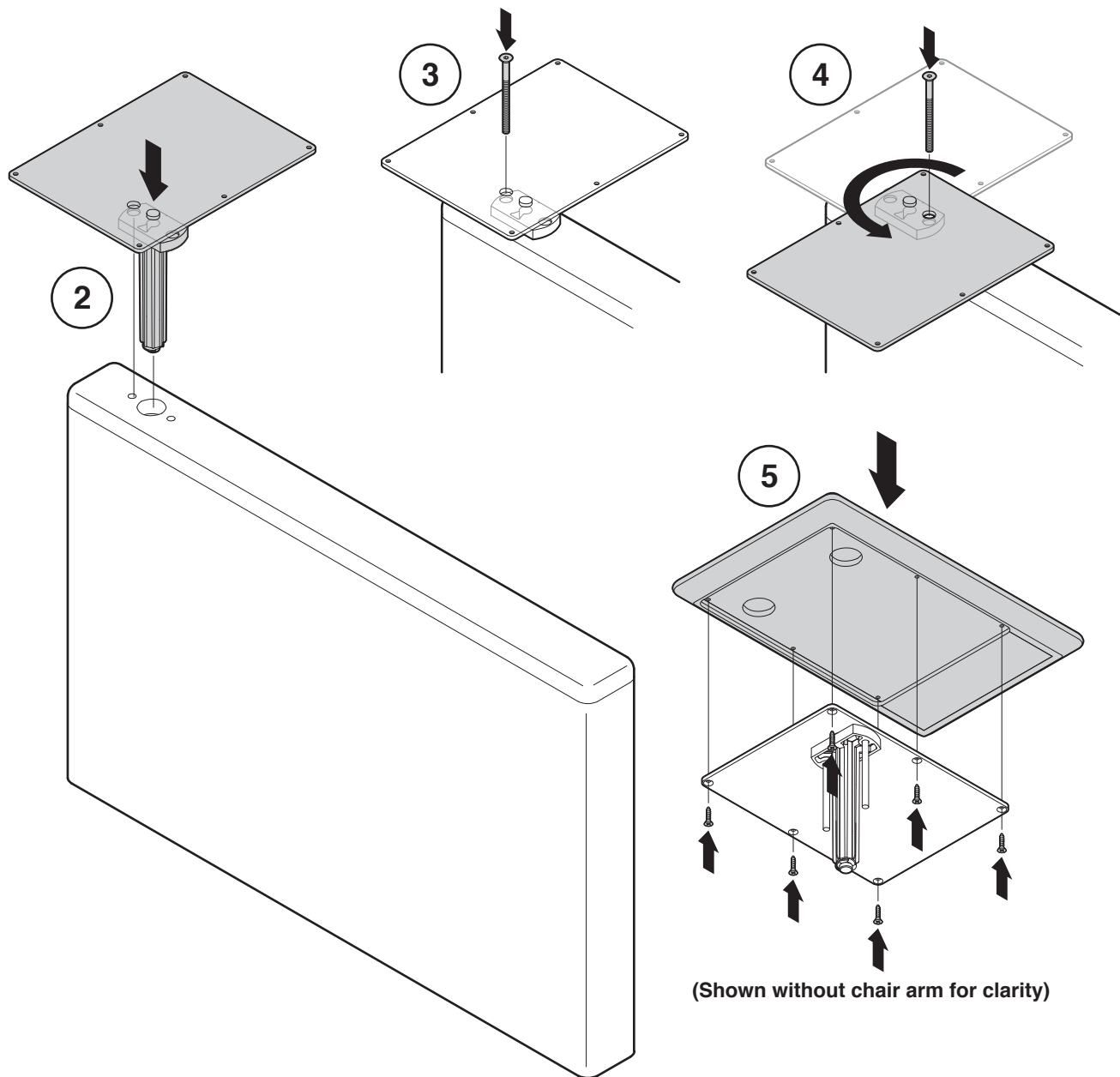
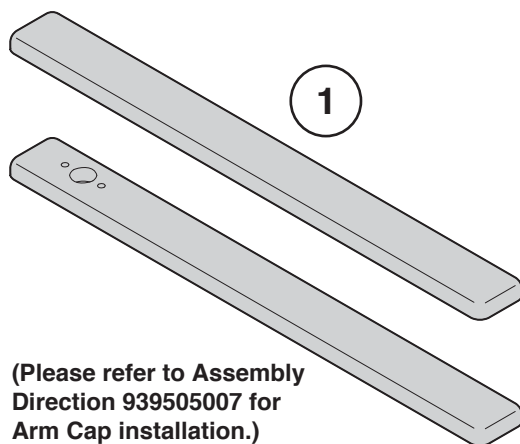
2. Install tablet plate spindle assembly into large center hole.

NOTE: Make sure holes in tablet bushing spindle are lined up with smaller holes in arm.

3. Rotate tablet plate so that the hole in the plate lines up with the hole in the tablet bushing spindle. Install screw.

4. Rotate tablet plate 180 degrees and install second screw.

5. Attach table top to tablet plate with six (6) wood screws.



(Please refer to Assembly
Direction 939505007 for
Arm Cap installation.)